



**Powerware**

**Powerware® 9390 UPS  
100–160 kVA  
Installation and Operation Manual**

## **IMPORTANT SAFETY INSTRUCTIONS SAVE THESE INSTRUCTIONS**

---

This manual contains important instructions that you should follow during installation and maintenance of the UPS and batteries. Please read all instructions before operating the equipment and save this manual for future reference.

---

### **Consignes de sécurité**

**CONSIGNES DE SÉCURITÉ IMPORTANTES  
CONSERVER CES INSTRUCTIONS  
CE MANUEL CONTIENT DES CONSIGNES DE SÉCURITÉ IMPORTANTES**

### **Class A EMC Statements**

#### **FCC Part 15**

**NOTE** This equipment has been tested and found to comply with the limits for a Class A digital device, pursuant to part 15 of the FCC Rules. These limits are designed to provide reasonable protection against harmful interference when the equipment is operated in a commercial environment. This equipment generates, uses, and can radiate radio frequency energy and, if not installed and used in accordance with the instruction manual, may cause harmful interference to radio communications. Operation of this equipment in a residential area is likely to cause harmful interference in which case the user will be required to correct the interference at his own expense.

#### **WARNING**



This is a product for restricted sales distribution to informed partners. Installation restrictions or additional measures may be needed to prevent disturbances.

---

Powerware, X-Slot, and ABM are registered trademarks and ConnectUPS is a trademark of Eaton Electrical Inc. Modbus is a registered trademark of Modicon. IBM and AS/400 are registered trademarks of International Business Machines Corp.

©Copyright 2004-2006 Eaton Corporation, Raleigh, NC, USA. All rights reserved. No part of this document may be reproduced in any way without the express written approval of Eaton Corporation.

# Table of Contents

<b>1</b>	<b>Introduction</b>	<b>1-1</b>
1.1	Basic System Configurations	1-2
1.2	Using This Manual	1-3
1.3	Conventions Used in This Manual	1-4
1.4	Safety Warnings	1-5
1.5	For More Information	1-6
1.6	Getting Help	1-6

## Section I – Installation

<b>2</b>	<b>UPS Installation Plan and Unpacking</b>	<b>2-1</b>
2.1	Creating an Installation Plan	2-1
2.2	Preparing the Site	2-1
2.2.1	Environmental Considerations	2-2
2.2.2	Preparing for Wiring the UPS System	2-2
2.3	Inspecting and Unpacking the UPS Cabinet	2-3
<b>3</b>	<b>Installing the UPS System</b>	<b>3-1</b>
3.1	Preliminary Installation Information	3-1
3.2	UPS Cabinet Installation	3-1
3.2.1	Unloading the Powerware 9390 UPS Cabinet from the Pallet	3-2
3.2.2	Battery Cabinet Installation	3-5
3.2.3	Integrated Distribution Cabinet Installation	3-6
3.2.4	Integrated Accessory Cabinet Installation	3-6
3.2.5	UPS Sidecar Wiring	3-6
3.2.6	Installing UPS External and Battery Power Wiring	3-6
3.2.6.1	External Wiring Installation Procedure A	3-7
3.2.6.2	External Wiring Installation Procedure B	3-9
3.2.6.3	Battery Wiring	3-10
3.2.7	Installing Interface Connections	3-11
3.2.7.1	TB1 and TB2 Connections	3-11
3.2.7.2	TB2 Battery Cabinet Connections	3-12
3.2.7.3	X-Slot Connections	3-13
3.2.8	Installing Accessories and Parallel System Control Wiring	3-14
3.3	Initial Startup	3-14
3.4	Completing the Installation Checklist	3-14

<b>4</b>	<b>Batteries</b> .....	<b>4-1</b>
4.1	Important Safety Instructions .....	4-1
4.2	Installing Batteries .....	4-2
4.3	Recycling the Used Battery or UPS .....	4-2
<b>5</b>	<b>Installing a Remote Emergency Power-off Switch</b> .....	<b>5-1</b>
<b>6</b>	<b>Installing Options and Accessories</b> .....	<b>6-1</b>
6.1	Installing a Powerware Hot Sync CAN Bridge Card .....	6-1
6.2	Installing Parallel System Control Wiring .....	6-2
6.3	Installing a Remote Monitor Panel II .....	6-3
6.4	Installing a Relay Interface Module II .....	6-4
6.5	Installing a Supervisory Contact Module II .....	6-6
 <b>Section II – Operation</b>		
<b>7</b>	<b>Understanding UPS Operation</b> .....	<b>7-1</b>
7.1	Looking Inside the UPS System .....	7-1
7.2	Single Module Reverse Transfer (RT) .....	7-2
7.2.1	Single Module RT Modes .....	7-2
7.2.2	Normal Mode – RT .....	7-4
7.2.3	Bypass Mode – RT .....	7-6
7.2.4	Battery Mode – RT .....	7-8
7.3	Multiple Module Parallel System .....	7-9
7.3.1	Multiple Module Parallel System Modes .....	7-10
7.3.2	Normal Mode – Parallel .....	7-11
7.3.3	Bypass Mode – Parallel .....	7-12
7.3.4	Battery Mode – Parallel .....	7-14
7.4	Functional Description .....	7-15
7.4.1	Input Rectifier .....	7-15
7.4.2	Inverter .....	7-15
7.4.3	Battery Charger and Advanced Battery Management .....	7-15
7.4.4	Bypass .....	7-16
7.4.5	Batteries .....	7-16

<b>8</b>	<b>Features, Options, and Accessories</b>	<b>8-1</b>
8.1	UPS Standard Features	8-1
8.1.1	Control Panel	8-1
8.1.2	Customer Interface	8-1
8.1.2.1	Building Alarm Monitoring	8-1
8.1.2.2	Alarm Contact	8-1
8.1.3	X-Slot Communication Bay	8-1
8.1.4	ConnectUPS-X Web/SNMP Card X-Slot Card	8-1
8.1.5	Advanced Battery Management	8-2
8.1.6	LanSafe Power Management Software	8-2
8.1.7	Installation Features	8-2
8.2	Options and Accessories	8-2
8.2.1	Integrated Battery Cabinets	8-2
8.2.2	Integrated Distribution Cabinet	8-2
8.2.3	Integrated Accessory Cabinet (IAC-B, IAC-T, and IAC-D)	8-3
8.2.4	Powerware Hot Sync Parallel System	8-3
8.2.5	Sync Control	8-3
8.2.6	Optional X-Slot Cards	8-3
8.2.7	Mini-CSB	8-3
8.2.8	Remote Monitor Panel II	8-4
8.2.9	Relay Interface Module II	8-4
8.2.10	Supervisory Contact Module II	8-4
8.3	Symbols, Controls, and Indicators	8-4
<b>9</b>	<b>Using the Control Panel</b>	<b>9-1</b>
9.1	Using the LCD and Pushbuttons	9-2
9.2	Using the Main Menu	9-3
9.2.1	Mimic Screen	9-3
9.2.2	Event Screens	9-4
9.2.3	Unit Meter Screens	9-6
9.2.4	Battery Discharge Log	9-9
9.2.5	KW Demand Log	9-11
9.2.6	Maximum Current Log	9-19
9.2.7	System Meters Screens	9-28
9.2.8	System Setup Level 0 Screens	9-33
9.2.9	System Setup Level 1 Screens	9-36

9.3	System Controls Screen .....	9-45
9.4	Load Off Screen .....	9-47
9.5	Reading the Status Indicators .....	9-48
<b>10</b>	<b>UPS Operating Instructions .....</b>	<b>10-1</b>
10.1	Single Module Operation .....	10-1
10.1.1	Starting the UPS in Normal Mode .....	10-1
10.1.2	Starting the UPS in Bypass Mode .....	10-2
10.1.3	Starting the Power Module .....	10-3
10.1.4	Transfer from Normal to Bypass Mode .....	10-3
10.1.5	Transfer from Bypass to Normal Mode .....	10-4
10.1.6	Transfer from Normal to Bypass Mode and Shut Down UPS .....	10-4
10.1.7	UPS and Critical Load Shutdown .....	10-5
10.1.8	Charger Control .....	10-5
10.1.9	Using the UPS LOAD OFF Pushbutton .....	10-6
10.1.10	Using the Remote Emergency Power-off Switch .....	10-7
10.2	Multiple Module Parallel Operation .....	10-8
10.2.1	Starting the Parallel System in Normal Mode .....	10-8
10.2.2	Starting the Parallel System in Bypass Mode .....	10-9
10.2.3	Transfer Parallel System from Normal to Bypass Mode .....	10-10
10.2.4	Transfer Parallel System from Bypass to Normal Mode .....	10-10
10.2.5	Single UPM Shutdown .....	10-11
10.2.6	Restarting a Single UPM .....	10-11
10.2.7	Parallel System and Critical Load Shutdown .....	10-12
10.2.8	Using the UPS LOAD OFF Pushbutton .....	10-13
10.2.9	Using the Parallel System Remote Emergency Power-off Switch .....	10-14
<b>11</b>	<b>Using Features and Options .....</b>	<b>11-1</b>
11.1	Building Alarm Monitoring .....	11-1
11.2	General Purpose Relay Contact .....	11-1
11.3	Optional Remote Monitor Panel II .....	11-2
11.4	Relay Interface Module II .....	11-4
11.5	Supervisory Contact Module II .....	11-5
<b>12</b>	<b>Responding to System Events .....</b>	<b>12-1</b>
12.1	General .....	12-1
12.2	System Event Horns .....	12-1
12.3	System Event Indicators .....	12-1
12.4	System Event Messages .....	12-1

<b>13</b>	<b>Communication</b>	<b>13-1</b>
13.1	X-Slot Cards	13-1
13.2	LanSafe Power Management Software	13-2
13.3	Remote Notification	13-2
13.4	Terminal Mode	13-3
13.4.1	Display UPS Control Panel	13-3
13.4.2	Event History Log	13-4
<b>14</b>	<b>Maintaining the UPS System</b>	<b>14-1</b>
14.1	Important Safety Instructions	14-1
14.2	Performing Preventive Maintenance	14-2
14.2.1	DAILY Maintenance	14-2
14.2.2	MONTHLY Maintenance	14-3
14.2.3	ANNUAL Maintenance	14-3
14.2.4	BATTERY Maintenance	14-3
14.3	Maintenance Training	14-3
<b>15</b>	<b>Product Specifications</b>	<b>15-1</b>
15.1	Model Numbers	15-1
15.2	Single Module Specifications	15-1
15.2.1	UPS System Input	15-1
15.2.2	UPS System Output	15-2
15.2.3	Environmental	15-2
15.3	Multiple Module Parallel Specifications	15-3
15.3.1	UPM Input	15-3
15.3.2	UPM Output	15-3
15.3.3	Environmental	15-3
15.3.4	Battery	15-3
15.3.5	Module Tie Cabinet Input	15-3
15.3.6	Module Tie Cabinet Output	15-3
	<b>Appendix A – Installation Information</b>	<b>A-1</b>
	<b>Warranty</b>	<b>W-1</b>

**This page intentionally left blank.**



# Table of Contents

Figure 1-1. Powerware 9390 UPS (100–160 kVA) Cabinet .....	1-1
Figure 2-1. Powerware 9390 UPS (100–160 kVA) Cabinet as Shipped on Pallet .....	2-3
Figure 3-1. Removing Front Shipping Bracket on the Powerware 9390 UPS .....	3-3
Figure 3-2. Removing Rear Shipping Bracket on the Powerware 9390 UPS .....	3-4
Figure 5-1. REPO Switch .....	5-1
Figure 6-1. Powerware Hot Sync CAN Bridge Card .....	6-1
Figure 6-2. Supervisory Contact Module II TB2 .....	6-7
Figure 7-1. Main Elements of the UPS System .....	7-1
Figure 7-2. Path of Current Through the UPS in Normal Mode – RT .....	7-4
Figure 7-3. Path of Current Through the UPS in Bypass Mode – RT .....	7-6
Figure 7-4. Path of Current Through the UPS in Battery Mode – RT .....	7-8
Figure 7-5. Path of Current through the UPMs in Normal Mode – Parallel .....	7-11
Figure 7-6. Path of Current through the UPMs in Bypass Mode – Parallel .....	7-12
Figure 7-7. Path of Current through the UPMs in Battery Mode – Parallel .....	7-14
Figure 9-1. UPS Control Panel .....	9-1
Figure 9-2. Parts of the LCD .....	9-2
Figure 9-3. Main Menu and Mimic Screen (Normal Mode) .....	9-3
Figure 9-4. Active Events Screen .....	9-4
Figure 9-5. History Screen .....	9-5
Figure 9-6. Unit Output Meter Screen .....	9-6
Figure 9-7. Unit Input Meter Screen .....	9-7
Figure 9-8. Unit Bypass Meter Screen .....	9-7
Figure 9-9. Unit Battery Meter Screen .....	9-8
Figure 9-10. Unit Output Current (Load) Meter Screen .....	9-8
Figure 9-11. Battery Discharge Log Summary Screen .....	9-9
Figure 9-12. Battery Discharge Log Screen .....	9-10
Figure 9-13. KW Demand Log Summary Screen .....	9-11
Figure 9-14. KW Demand Log Screen .....	9-12
Figure 9-15. Current KW Demand Log Setup Screen 1 .....	9-13
Figure 9-16. Current KW Demand Log Setup Screen 2 .....	9-14
Figure 9-17. Time Interval Monitored Setup Screen .....	9-15
Figure 9-18. Time Interval Monitored Setup Save Screen .....	9-16
Figure 9-19. Maximum Level (KW) Setup Screen .....	9-17
Figure 9-20. Maximum Level (KW) Setup Save Screen .....	9-18
Figure 9-21. Maximum Current Log Summary Screen .....	9-19
Figure 9-22. Maximum Current Log Screen (Three-Phase Measurement) .....	9-20
Figure 9-23. Maximum Current Log Screen (Individual Phase Measurement) .....	9-21

Figure 9-24. Maximum Current Log Setup Screen 1 .....	9-21
Figure 9-25. Maximum Current Log Setup Screen 2 .....	9-22
Figure 9-26. Time Interval Monitored Setup Screen .....	9-23
Figure 9-27. Time Interval Monitored Setup Save Screen .....	9-24
Figure 9-28. Maximum % of Full Load Setup Screen .....	9-25
Figure 9-29. Maximum % of Full Load Setup Save Screen .....	9-26
Figure 9-30. Calculation Method Setup Screen .....	9-27
Figure 9-31. System Meters Screen .....	9-28
Figure 9-32. Total System Output Meter Screen .....	9-29
Figure 9-33. Output Unit X Meter Screen .....	9-30
Figure 9-34. Input Unit X Meter Screen .....	9-31
Figure 9-35. Bypass Unit X Meter Screen .....	9-31
Figure 9-36. Battery Unit X Meter Screen .....	9-32
Figure 9-37. Output Current (Load) Unit X Meter Screen .....	9-32
Figure 9-38. System Setup Level 0 Screen .....	9-33
Figure 9-39. Contrast Adjust Screen .....	9-34
Figure 9-40. Versions Screen .....	9-35
Figure 9-41. Unit Type Screen .....	9-35
Figure 9-42. Enter Password Screen .....	9-36
Figure 9-43. System Setup Level 1 Screen .....	9-37
Figure 9-44. Change Password Screen .....	9-38
Figure 9-45. Change Password Save Screen .....	9-39
Figure 9-46. Time Format Screen .....	9-40
Figure 9-47. Set Date and Time MM/DD/YYYY Screen .....	9-41
Figure 9-48. Set Date and Time DD/MM/YYYY Screen .....	9-42
Figure 9-49. COM Port Setup Screen .....	9-43
Figure 9-50. COM Setup Screen .....	9-44
Figure 9-51. System Controls Screen 1 .....	9-45
Figure 9-52. System Controls Screen 2 .....	9-46
Figure 9-53. Load Off Screen .....	9-47
Figure 11-1. Remote Monitor Panel II .....	11-2
Figure 11-2. Relay Interface Module II .....	11-4
Figure 11-3. Supervisory Contact Module II .....	11-5
Figure 13-1. Optional X-Slot Cards .....	13-2
Figure 13-2. Sample Event History Log .....	13-5

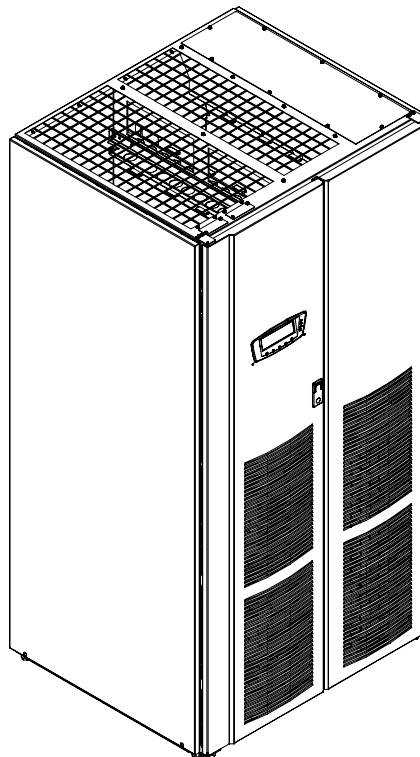
## Chapter 1 | Introduction

The Powerware® 9390 uninterruptible power supply (UPS) is a true online, continuous-duty, transformerless, double-conversion, solid-state, three-phase system, providing conditioned and uninterruptible AC power to protect the customer's load from all nine power failures. The Powerware 9390 UPS is available as a single module or a multiple module parallel system (see paragraph 1.1).

The Powerware online power protection system is used to prevent loss of valuable electronic information, minimize equipment downtime, and minimize the adverse effect on production equipment due to unexpected power problems.

The Powerware 9390 UPS continually monitors incoming electrical power and removes the surges, spikes, sags, and other irregularities that are inherent in commercial utility power. Working with a building's electrical system, the UPS system supplies clean, consistent power that sensitive electronic equipment requires for reliable operation. During brownouts, blackouts, and other power interruptions, batteries provide emergency power to safeguard operation.

The UPS system is housed in a single, free-standing cabinet with safety shields behind the door for hazardous voltage protection. The cabinet is the battery and distribution cabinets in style and color and can be installed in line-up-and-match or standalone configurations. Figure 1-1 shows the Powerware 9390 UPS (100–160 kVA).



**Figure 1-1. Powerware 9390 UPS (100–160 kVA) Cabinet**

## 1.1 Basic System Configurations

The following basic UPS system configurations are possible:

- ▶ Single module UPS and one to four battery cabinets
- ▶ Single module UPS with UPS Sidecar (maintenance bypass or 1+1 tie configuration) and one to four battery cabinets
- ▶ Single module UPS, one to four battery cabinets, and an optional Integrated Distribution Cabinet (IDC)
- ▶ Single module UPS, one to four battery cabinets, and an optional Integrated Accessory Cabinet (IAC) (maintenance bypass, 1+1 tie, or 1+1 tie with maintenance bypass configuration)
- ▶ Single module UPS, one to four battery cabinets, and an optional Integrated Accessory Cabinet (IAC) (distribution configuration)
- ▶ Powerware Hot Sync parallel system with two UPS modules, one to four battery cabinets for each UPS, and an optional module tie cabinet
  - One capacity/one redundant (1+1)
  - Two capacity (2+0)
- ▶ Powerware Hot Sync parallel system with three UPS modules, one to four battery cabinets for each UPS, and an optional module tie cabinet
  - Two capacity/one redundant (2+1)
  - Three capacity (3+0)
- ▶ Powerware Hot Sync parallel system with four UPS modules, one to four battery cabinets for each UPS, and an optional module tie cabinet
  - Three capacity/one redundant (3+1)
  - Four capacity (4+0)
- ▶ Powerware Hot Sync parallel system with two UPS modules, one to four battery cabinets for each UPS, an optional module tie cabinet, and an optional IDC
  - One capacity/one redundant (1+1)
  - Two capacity (2+0)
- ▶ Powerware Hot Sync parallel system with three UPS modules, one to four battery cabinets for each UPS, an optional module tie cabinet, and an optional IDC
  - Two capacity/one redundant (2+1)
  - Three capacity (3+0)
- ▶ Powerware Hot Sync parallel system with four UPS modules, one to four battery cabinets for each UPS, an optional module tie cabinet, and an optional IDC
  - Three capacity/one redundant (3+1)
  - Four capacity (4+0)

The UPS system configuration can be enhanced by adding optional accessories such as a Remote Emergency Power-off (REPO) control, Remote Monitor Panel II (RMP II), or X-Slot® communication cards.

## 1.2 Using This Manual

This manual describes how to install and operate the Powerware 9390 UPS (100–160 kVA) cabinet. Read and understand the procedures described in this manual to ensure trouble-free installation and operation. In particular, be thoroughly familiar with the REPO procedure (see page 10-7).

The information in this manual is divided into the sections and chapters listed. The system, options, and accessories being installed dictate which parts of this manual should be read. At a minimum, Chapters 1 through 3 and 8 through 10 should be examined.

- ▶ **Chapter 1, “Introduction”** – provides a brief description of the UPS system, a description of the content of each chapter, text conventions used in the manual, safety warnings, and reference information.

### Section I, Installation

- ▶ **Chapter 2, “UPS Installation Plan and Unpacking”** – explains how to prepare the site for the installation of the UPS system. It discusses equipment environmental requirements, inspecting, and unpacking cabinets.
- ▶ **Chapter 3, “Installing the UPS System”** – describes how to install and wire the UPS cabinet and optional equipment.
- ▶ **Chapter 4, “Batteries”** – provides battery safety and installation information.
- ▶ **Chapter 5, “Installing a Remote Emergency Power-off Control”** – contains information for installing the optional REPO control.
- ▶ **Chapter 6, “Installing Options and Accessories”** – contains information for installing an X-Slot Powerware Hot Sync CAN Bridge Card, parallel control wiring, an RMP II, a Relay Interface Module II (RIM II), or a Supervisory Contact Module II (SCM II).

### Section II, Operation

- ▶ **Chapter 7, “Understanding UPS Operation”** – provides information on why and how a UPS works.
- ▶ **Chapter 8, “Features, Options, and Accessories”** – describes the standard and optional UPS features and available accessories.
- ▶ **Chapter 9, “Using the Control Panel”** – describes the controls and indicators found on the control panel and shows the various information screens displayed on the LCD.
- ▶ **Chapter 10, “UPS Operating Instructions”** – contains startup and shutdown procedures for the UPS system.
- ▶ **Chapter 11, “Using Features and Options”** – contains descriptions and instructions for the UPS system features and options.
- ▶ **Chapter 12, “Responding to System Events”** – lists all the alarms and notices that occur during operation of the UPS system.
- ▶ **Chapter 13, “Communication”** – describes the communication features of the UPS system.


- ▶ **Chapter 14, “Maintaining the UPS System”** – contains maintenance instructions for the UPS system.
- ▶ **Chapter 15, “Product Specifications”** – provides detailed specifications for the UPS system.
- ▶ **Appendix A, “Installation Information”** – contains important information on wiring requirements and recommendations, and important diagrams of the cabinets’ mechanical details and electrical access.
- ▶ **Warranty** – provides the Powerware warranty for this product.

Read through each procedure before beginning the procedure. Perform only those procedures that apply to the UPS system being installed or operated.

## 1.3 Conventions Used in This Manual

This manual uses these type conventions:

- ▶ **Bold type** highlights important concepts in discussions, key terms in procedures, and menu options, or represents a command or option that you type or enter at a prompt.
- ▶ *Italic type* highlights notes and new terms where they are defined.
- ▶ `Screen type` represents information that appears on the screen or LCD.

Icon	Description
	Information notes call attention to important features or instructions.
[Keys]	Brackets are used when referring to a specific key, such as [Enter] or [Ctrl].

In this manual, the term *UPS* refers only to the UPS cabinet and its internal elements. The term *UPS system* refers to the entire power protection system – the UPS cabinet, the battery cabinet, and options or accessories installed.

## 1.4 Safety Warnings

### IMPORTANT SAFETY INSTRUCTIONS SAVE THESE INSTRUCTIONS

This manual contains important instructions that should be followed during installation and maintenance of the UPS and batteries. Please read all instructions before operating the equipment and save this manual for future reference.

The UPS cabinet is designed for industrial or computer room applications, and contains safety shields behind the doors. However, the UPS system is a sophisticated power system and should be handled with appropriate care.

#### DANGER



This UPS contains **LETHAL VOLTAGES**. All repairs and service should be performed by **AUTHORIZED SERVICE PERSONNEL ONLY**. There are **NO USER SERVICEABLE PARTS** inside the UPS.

#### WARNING



- ▶ The UPS system contains its own energy source (batteries). The output terminals may carry live voltage even when the UPS is disconnected from an AC source.
- ▶ To reduce the risk of fire or electric shock, install this UPS in a temperature and humidity controlled, indoor environment, free of conductive contaminants. Ambient temperature must not exceed 40°C (104°F). Do not operate near water or excessive humidity (95% maximum). The system is not intended for outdoor use.
- ▶ Ensure all power is disconnected before performing installation or service.

#### CAUTION



- ▶ Batteries can present a risk of electrical shock or burn from high short-circuit current. Observe proper precautions. Servicing should be performed by qualified service personnel knowledgeable of batteries and required precautions. Keep unauthorized personnel away from batteries.
- ▶ Proper disposal of batteries is required. Refer to local codes for disposal requirements.
- ▶ Never dispose of batteries in a fire. Batteries may explode when exposed to flame.
- ▶ Keep the UPS doors closed to ensure proper cooling airflow and to protect personnel from dangerous voltages inside the unit.
- ▶ Do not operate the UPS system close to gas or electric heat sources.
- ▶ The operating environment should be maintained within the parameters stated in this manual.
- ▶ Keep surroundings uncluttered, clean, and free from excess moisture.
- ▶ Observe all DANGER, CAUTION, and WARNING notices affixed to the inside and outside of the equipment.

## 1.5 For More Information

Refer to the *Powerware 9390 Integrated Battery Cabinet (Models IBC-S and IBC-L) Installation Manual* (164201536) for the following additional information:

- ▶ Integrated Battery Cabinet (IBC) installation instructions, including site preparation, planning for installation, wiring, and safety information.
- ▶ Detailed illustrations of the cabinet, including dimension and connection point drawings.

Refer to the *Powerware 9390 Integrated Distribution Cabinet (160 kVA) Installation and Operation Manual*, (164201560), the *Powerware 9390 Integrated Accessory Cabinet (IAC-B and IAC-T Configurations) Installation and Operation Manual* (164201590), the *Powerware 9390 Integrated Accessory Cabinet (IAC-D Configuration) Installation and Operation Manual* (164201591), the *Powerware 9390 UPS Sidecar Installation and Operation Manual* (164201586), or the *Powerware 9390 Sync Control Installation and Operation Manual* (164201571), as applicable, for the following additional information:

- ▶ Installation instructions, including site preparation, planning for installation, and wiring and safety information. Detailed illustrations of the cabinet with dimensional and connection point drawings are provided.
- ▶ Operation, including controls, functions of the standard and optional features, procedures for using with the UPS, and information about maintenance.

Visit [www.powerware.com](http://www.powerware.com) or contact your Eaton service representative for information on how to obtain copies of these manuals

## 1.6 Getting Help

If help is needed with any of the following:

- ▶ Scheduling initial startup
- ▶ Regional locations and telephone numbers
- ▶ A question about any of the information in this manual
- ▶ A question this manual does not answer

Please call the Eaton Help Desk for Powerware products at:

In the United States **1-800-843-9433 or 1-919-870-3028**

In Canada **1-800-461-9166**

All other countries **Call your service representative**



# **Section I** | **Installation**

**This page intentionally left blank.**

Use the following basic sequence of steps to install the UPS:

1. Create an installation plan for the UPS system (Chapter 2).
2. Prepare your site for the UPS system (Chapter 2).
3. Inspect and unpack the UPS cabinet (Chapter 2).
4. Unload and install the UPS cabinet, and wire the system (Chapter 3).
5. Install features, accessories, or options, as applicable (Chapters 5 and 6).
6. Complete the Installation Checklist (Chapter 3).
7. Have authorized service personnel perform preliminary operational checks and startup.



---

**NOTE** *Startup and operational checks must be performed by an authorized Eaton Customer Service Engineer, or the warranty terms specified on page W-1 become void. This service is offered as part of the sales contract for the UPS. Contact service in advance (usually a two-week notice is required) to reserve a preferred startup date.*

---

## 2.1 Creating an Installation Plan

Before installing the UPS system, read and understand how this manual applies to the system being installed. Use the procedures and illustrations in the following chapters to create a logical plan for installing the system.

## 2.2 Preparing the Site

For the UPS system to operate at peak efficiency, the installation site should meet the environmental parameters outlined in this manual. If the UPS is to be operated at an altitude higher than 1500m (5000 ft), contact your Eaton service representative for important information about high altitude operation. The operating environment must meet the weight, clearance, and environmental requirements specified in Drawing 164201604-2 on page A-3 and size requirements specified on Drawing 164201604-9 starting on page A-46.

The UPS cabinets use forced air cooling to regulate internal component temperature. Air inlets are in the front of the cabinet and outlets are in the top. You must allow clearance in front of and above each cabinet for proper air circulation.

## 2.2.1 Environmental Considerations

The life of the UPS system is adversely affected if the installation does not meet the following guidelines:

- ▶ The system must be installed on a level floor suitable for computer or electronic equipment.
- ▶ The system must be installed in a temperature and humidity controlled indoor area free of conductive contaminants.

Failure to follow guidelines may void your warranty.

## 2.2.2 Preparing for Wiring the UPS System



---

**NOTE** *If installing, as part of the UPS system, a maintenance bypass without a rectifier input breaker, a minimum of two separate feeds with upstream feeder breakers, or one feed with two upstream feeder breakers, must be provided: one for the UPS and one for the maintenance bypass input. DO NOT use one feed or a single feeder breaker to supply both the UPS and the maintenance bypass.*

---

For external wiring requirements, including the minimum AWG size of external wiring, see Table E through Table G starting on page A-12. The power wiring connections for this equipment are rated at 90°C. If wire is run in an ambient temperature greater than 30°C, higher temperature wire and/or larger size wire may be necessary

Control wiring for Emergency Power-off (EPO) and optional accessories (such as building alarms and monitoring interface) should be connected at the customer interface terminal blocks located inside the UPS.

LAN and telephone drops, for use with X-Slot connectivity cards, must be supplied by facility planners or the customer.

## 2.3 Inspecting and Unpacking the UPS Cabinet

The cabinet is shipped bolted to a wooden pallet and protected with outer protective packaging material (see Figure 2-1).

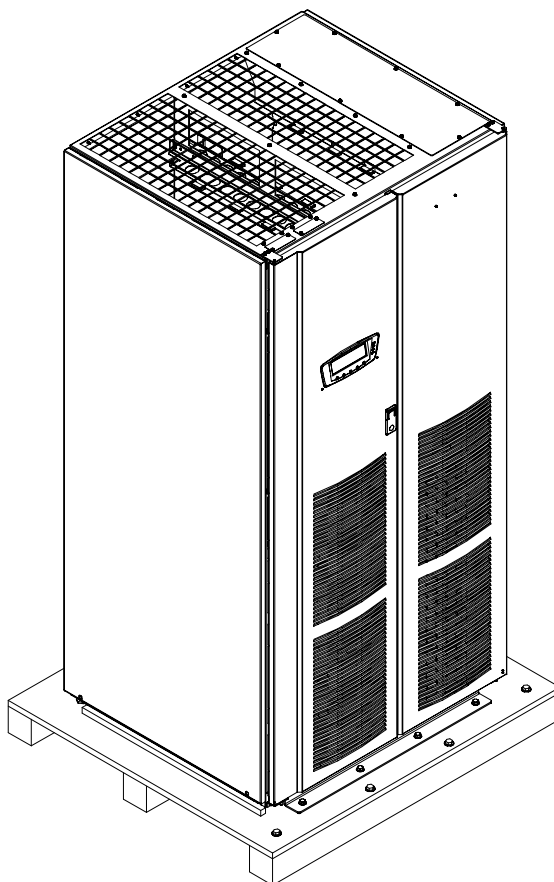


Figure 2-1. Powerware 9390 UPS (100–160 kVA) Cabinet as Shipped on Pallet



### CAUTION

The UPS cabinet is heavy (see Table A on page A-3). If unpacking instructions are not closely followed, the cabinet may tip and cause serious injury.

1. Carefully inspect the outer packaging for evidence of damage during transit.

### CAUTION



Do not install a damaged cabinet. Report any damage to the carrier and contact your Eaton service representative immediately.

---

2. Use a forklift or pallet jack to move the packaged cabinet to the installation site, or as close as possible, before unpacking. Insert the forklift or pallet jack forks between the pallet supports on the bottom of the unit.



**NOTE** *Verify that the forklift or pallet jack is rated to handle the weight of the cabinet (see Table A on page A-3 for cabinet weight).*

---

### CAUTION



Do not tilt the UPS cabinet more than 10° from vertical or the cabinet may tip over.

---

3. Set the pallet on a firm, level surface, allowing a minimum clearance of 3m (10 ft) on each side for removing the cabinet from the pallet.



**NOTE** *The UPS cabinet is shipped with a debris shield covering the ventilation grill on top of the unit. Do not remove the debris shield until installation is complete.*

---

4. Remove the protective covering from the cabinet.
5. Remove the packing material, and discard or recycle in a responsible manner.
6. After removing the protective covering, inspect the contents for any evidence of physical damage, and compare each item with the Bill of Lading. If damage has occurred or shortages are evident, contact your Eaton service representative immediately to determine the extent of the damage and its impact upon further installation.



**NOTE** *While waiting for installation, protect the unpacked cabinet from moisture, dust, and other harmful contaminants. Failure to store and protect the UPS properly may void your warranty.*

---

## Chapter 3 | Installing the UPS System

### 3.1 Preliminary Installation Information



#### WARNING

Installation should be performed only by qualified personnel.

Refer to the following while installing the UPS system:

- ▶ Appendix A contains installation drawings and additional installation notes.
- ▶ Dimensions are in millimeters and inches.
- ▶ Do not tilt the cabinets more than  $\pm 10^\circ$  during installation.
- ▶ The conduit landing plates are to be removed to add conduit landing holes as required. Plate material is 16 gauge steel (1.5 mm/0.06" thick).
- ▶ The cabinets must be installed on a level floor suitable for computer or electronic equipment.
- ▶ If perforated floor tiles are required for ventilation, place them in front of the UPS. See Table A on page A-3 for equipment weight and point loading.
- ▶ Details about control wiring are provided in each procedure for connecting options and features. Drawing 164201604-8 and Table R through Table X starting on page A-33 identify the control wiring terminations.

### 3.2 UPS Cabinet Installation

To install a UPS cabinet, perform the procedures in the following paragraphs.



**NOTE** *When a line-up-and-match UPS system is ordered together with battery cabinets, the first battery cabinet is supplied with two cosmetic covers. The UPS cabinet, additional battery cabinets, and other ancillary cabinets are supplied without cosmetic covers.*

**NOTE** *When a UPS system is ordered together with battery cabinets for standalone installation, the first battery cabinet is supplied with two cosmetic covers. Additional battery cabinets are supplied without cosmetic covers. Cosmetic covers must be ordered for the UPS cabinet and/or other ancillary cabinets.*

### 3.2.1 Unloading the Powerware 9390 UPS Cabinet from the Pallet

The UPS cabinet is bolted to a wooden pallet supported by wood skids. To remove the pallet, perform the following procedure:

#### WARNING



The UPS cabinet is heavy. See Table A on page A-3 for weight of cabinets. If unloading instructions are not closely followed, the cabinet may cause serious injury.

#### CAUTION



Do not tilt cabinets more than 10° from vertical.

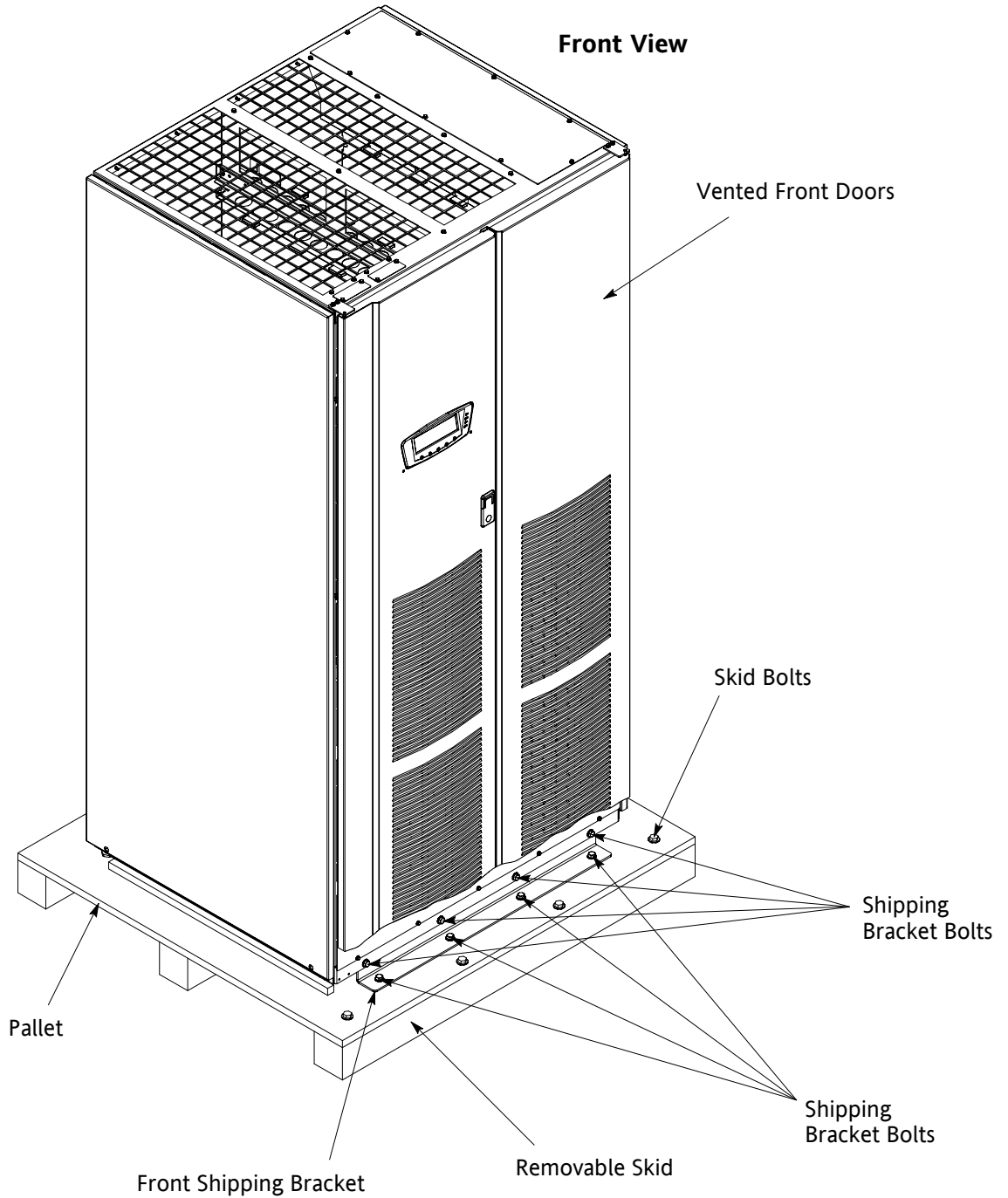
1. If not already accomplished, use a forklift or pallet jack to move the cabinet to the installation area, or as close as possible, before unloading from the pallet. Insert the forklift or pallet jack forks between the skids on the bottom of the unit.



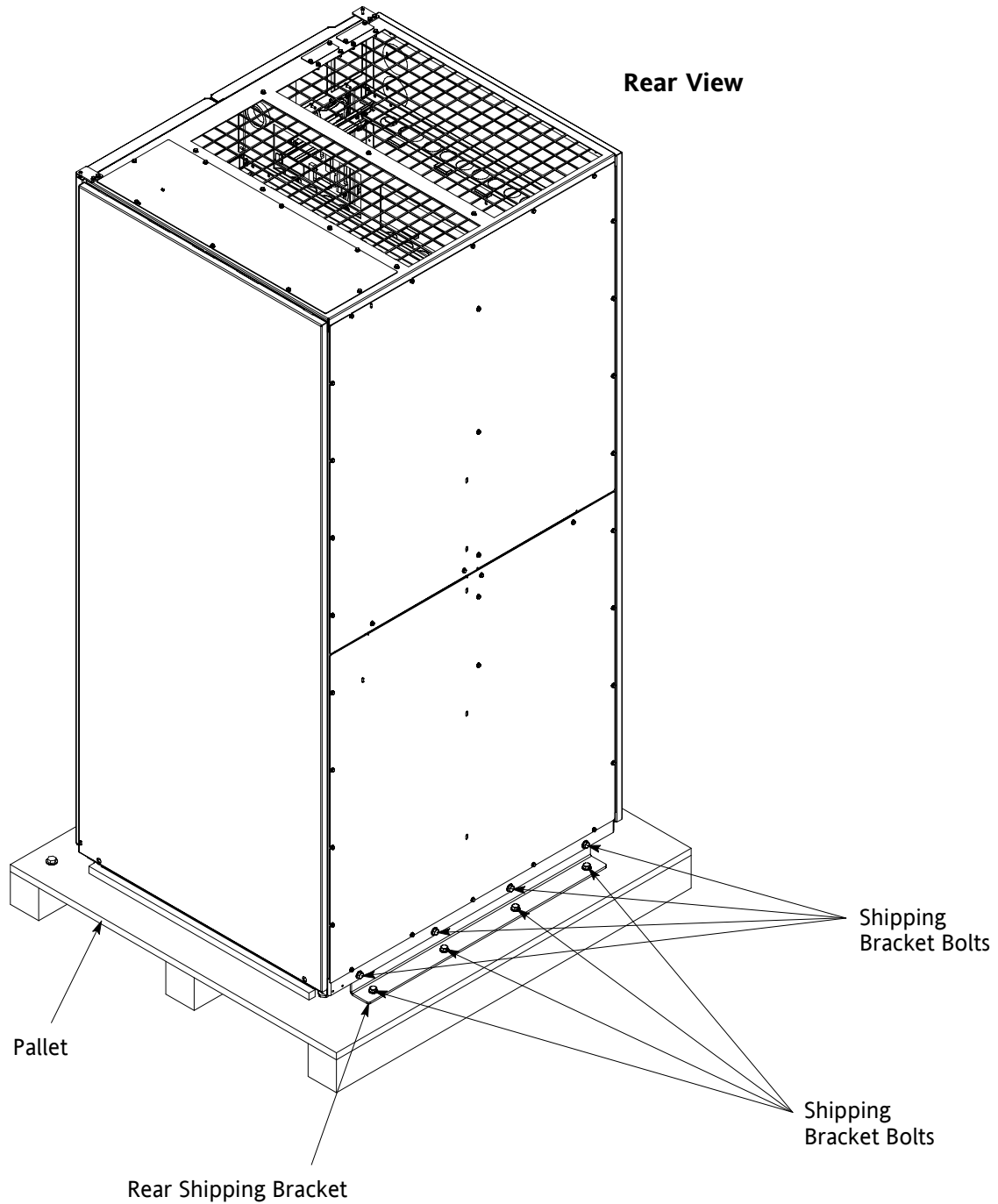
**NOTE** *Verify that the forklift or pallet jack is rated to handle the weight of the cabinet (see Table A on page A-3 for cabinet weight).*

2. Unfasten the front door latch and swing the door open (see Figure 3-1).
3. Remove the doors. Remove the retaining screws located inside each door at the top and bottom hinge pivot points, then lift the door off. Retain the hardware for later use.
4. If the leveling feet are not fully retracted, turn the leveling feet until they are retracted.
5. Remove the four bolts securing the front shipping bracket to the cabinet and four bolts securing the bracket to the pallet (see Figure 3-1). Remove the front shipping bracket. If installing the cabinet permanently, retain the shipping bracket and securing hardware for later use.
6. Remove the four bolts securing the rear shipping bracket to the pallet. Do NOT remove the four bolts securing the bracket to the cabinet (see Figure 3-2 on page 3-4).
7. Remove the four bolts securing the removable skid and remove the skid (see Figure 3-1).





**Figure 3-1. Removing Front Shipping Bracket on the Powerware 9390 UPS**



**Figure 3-2. Removing Rear Shipping Bracket on the Powerware 9390 UPS**



**NOTE** *In the following step the pallet tilts and acts as a ramp once the cabinet is rolled beyond the center of the pallet. Be sure to restrain the cabinet as it continues to roll down the pallet/ramp. The rear shipping bracket will act as a brake to assist restraining the cabinet.*



### WARNING

Do not stand directly in front of the pallet while unloading the cabinet. If unloading instructions are not closely followed, the cabinet may cause serious injury.

8. Slowly roll the cabinet toward the front of the pallet. Once the pallet tilts, continue rolling the cabinet down the pallet until the cabinet is clear of the pallet.
9. Remove the four bolts securing the rear shipping bracket to the cabinet (see Figure 3-2). If installing the cabinet permanently, retain the shipping bracket and securing hardware for later use.
10. Roll the cabinet to the final installation location.
11. If installing the cabinet permanently, retain the shipping brackets and hardware; otherwise, discard or recycle the pallet and shipping brackets in a responsible manner.
12. If permanently mounting the system, proceed to Step 15; otherwise, continue to Step 13.
13. Secure the UPS cabinet in position by lowering the leveling feet until the cabinet is not resting on the casters and the cabinet is level.
14. If installing battery and distribution cabinets, proceed to paragraphs 3.2.2 and 3.2.3; otherwise, proceed to paragraph 3.2.6.
15. Using the retained hardware, reinstall the shipping brackets removed in Step 6 to the front and rear of the UPS cabinet with the angle facing outward (see Figure 3-1 and Figure 3-2).
16. Secure the cabinet to the floor with contractor-supplied hardware.
17. If installing battery and distribution cabinets, proceed to paragraphs 3.2.2 and 3.2.3; otherwise, proceed to paragraph 3.2.6.

## 3.2.2 Battery Cabinet Installation

To install the battery cabinet, refer to the *Powerware 9390 Integrated Battery Cabinet (Models IBC-S and IBC-L) Installation Manual*. After the battery cabinet is installed, return to paragraph 3.2.6 to wire the UPS and battery cabinet.

### 3.2.3 Integrated Distribution Cabinet Installation

To install and wire an IDC, refer to the *Powerware 9390 Integrated Distribution Cabinet (160 kVA) Installation and Operation Manual*. After the IDC is installed and wired, return to paragraph 3.2.6 to complete the UPS cabinet wiring.

### 3.2.4 Integrated Accessory Cabinet Installation

To install and wire an IAC, refer to the *Powerware 9390 Integrated Accessory Cabinet (IAC-B and IAC-T Configurations) Installation and Operation Manual* or the *Powerware 9390 Integrated Accessory Cabinet (IAC-D Configuration) Installation and Operation Manual*. After the IAC is installed and wired, return to paragraph 3.2.6 to complete the UPS cabinet wiring.

### 3.2.5 UPS Sidecar Wiring

To wire an UPS Sidecar, refer to the *Powerware 9390 UPS Sidecar Installation and Operation Manual*. After the UPS Sidecar is wired, return to paragraph 3.2.6 to complete the UPS cabinet wiring.

### 3.2.6 Installing UPS External and Battery Power Wiring



**NOTE** *The UPS cabinet is shipped with a debris shield covering the ventilation grill on top of the unit. Do not remove the debris shield until installation is complete. However, remove the shield before operating the UPS. Once the debris shield is removed, do not place objects on the ventilation grill.*

**NOTE** *Remove the UPS cabinet top or bottom conduit landing plate to drill or punch conduit holes (see Drawing 164201604-6 on page A-27).*

**NOTE** *If the load requires a neutral, a bypass source neutral must be provided. If the load does not require a neutral and there is no neutral conductor connected at the bypass input, a neutral to ground bonding jumper must be installed. DO NOT install both a source neutral and a bonding jumper. See Table E through Table G or Table O through Table Q for neutral bonding jumper wire sizes. Bonding jumper must be copper wire.*

#### CAUTION



**HIGH IMPEDANCE GROUND SOURCES** - If the supply source is a high impedance ground (IT) type, the input neutral conductor must be connected from the source of supply. If there is no output neutral connected to the UPS, the neutral-forming transformer kit (PN 103005400) may be used instead of pulling a neutral from the source. If the load requires a neutral, then an input neutral conductor must be pulled into the UPS. ***In no circumstances shall a neutral to ground bonding jumper be installed in the UPS.***



## CAUTION

DELTA SOURCES (TN-S) - The 9390 UPS system can be operated only from a delta supply source that is fully floating and if the neutral-forming transformer kit (PN 103005400) is installed in the UPS. The UPS cannot be operated from a mid-point or end-point grounded delta supply source. With this type of supply source, there is no capability to provide an output neutral. ***In no circumstances shall a neutral to ground bonding jumper be installed in the UPS.***

Use the applicable procedure from the following list for the UPS model being installed:

- ▶ For UPS models 120/100, 120/120, 160/100, 160/120, and 160/160 with 208V/220V input and UPS models 160/100, 160/120, and 160/160 with 480V input, proceed to paragraph 3.2.6.1.
- ▶ For UPS models 120/100 and 120/120 with 480V input, proceed to paragraph 3.2.6.2.

### 3.2.6.1 External Wiring Installation Procedure A

To install wiring to connections:

1. Slide the air filters up and remove them from the cabinet.
2. Remove the screws securing the control panel door and swing the door open.
3. Remove the screws securing the bottom internal safety shield panel and remove the panel to gain access to the input, output, and battery terminals. Retain the hardware for later use.
4. If installing power wiring from the top of the cabinet, proceed to Step 5; otherwise, proceed to Step 6.
5. Remove the screws securing the top and right side internal safety shield panels and remove the panels to gain access to the top wiring entry. Retain the hardware for later use.
6. Route the input and output cables to the UPS terminal blocks. See Drawing 164201604-7 starting on page A-29 for wiring access information and terminal locations.
7. If wiring a single-feed system, proceed to Step 8; if wiring a dual-feed system, proceed to Step 10.
8. Connect phase A, B, C, and Neutral (if required) input power wiring from the utility source to the rectifier input terminals and neutral terminals in the UPS cabinet. See Appendix A for wiring and termination requirements and wiring access information. Note wiring connections for single-feed systems.
9. Proceed to Step 13.

## CAUTION



In the following step, DO NOT move the sensing and EMI wires from the rectifier contactor K1 input terminals. These wires must remain connected to the K1 terminals for proper UPS operation.

---

10. Disconnect the phase A, B, and C bypass contactor K5 power input leads only (two wires per phase) from the rectifier contactor K1 input terminals. Connect these power leads to the bypass input terminals.
11. Connect phase A, B, and C rectifier input power wiring from the utility source to the rectifier input terminals in the UPS cabinet. See Appendix A for wiring and termination requirements and wiring access information. Note wiring connections for dual-feed systems.
12. Connect phase A, B, and C, and Neutral (if required) bypass input power wiring from the utility source to the bypass input terminals and neutral terminals in the UPS cabinet. See Appendix A for wiring and termination requirements and wiring access information. Note wiring connections for dual-feed systems.
13. If wiring an IDC or IAC, proceed to Step 14; otherwise, proceed to Step 17.
14. Route and connect the output cable between the UPS cabinet and the IDC or IAC. Refer to the applicable IDC or IAC installation and operation manual, referenced in paragraph 1.5 on page 1-6, for wiring instructions. See Appendix A for UPS cabinet wiring access information.
15. Connect phase A, B, and C, and Neutral (if required) power wiring from the IDC or IAC to the UPS cabinet output and neutral terminals. See Appendix A for wiring and termination requirements.
16. Proceed to paragraph 3.2.6.3.
17. If wiring a parallel system, proceed to Step 18; otherwise, proceed to Step 20.

## CAUTION



Parallel system wiring length should be in accordance with Drawing 164201604-5, sheet 15 of 15, to ensure approximately equal current sharing when in Static Bypass mode.

---

18. Connect phase A, B, and C, and Neutral (if required) power wiring from the output and neutral terminals of each uninterruptible power module (UPM) to the module tie cabinet. See Appendix A for UPM wiring and termination requirements and wiring access information.
19. Proceed to paragraph 3.2.6.3.
20. Connect phase A, B, and C, and Neutral (if required) power wiring from the output and neutral terminals to the critical load. See Appendix A for wiring and termination requirements and wiring access information.
21. Proceed to paragraph 3.2.6.3.

### 3.2.6.2 External Wiring Installation Procedure B

To install wiring to connections:

1. Slide the air filters up and remove them from the cabinet.
2. Remove the screws securing the control panel door and swing the door open. Retain the hardware for later use.
3. Remove the screws securing the bottom internal safety shield panel and remove the panel to gain access to the input, output, and battery terminals. Retain the hardware for later use.
4. If installing power wiring from the top of the cabinet, proceed to Step 5; otherwise, proceed to Step 6.
5. Remove the screws securing the top and right side internal safety shield panels and remove the panels to gain access to the top wiring entry. Retain the hardware for later use.
6. Route the input and output cables to the UPS terminal blocks. See Drawing 164201604-7 starting on page A-29 for wiring access information and terminal locations.
7. If wiring a single-feed system, proceed to Step 8; if wiring a dual-feed system, proceed to Step 10.
8. Connect phase A, B, C, and Neutral (if required) input power wiring from the utility source to the rectifier input terminals and neutral terminals in the UPS cabinet. See Appendix A for wiring and termination requirements and wiring access information. Note the wiring connections for single-feed systems.
9. Proceed to Step 13.
10. Disconnect the single-feed jumpers from the phase A, B, and C terminals on the rectifier input terminals and bypass input terminals. Remove the jumpers from the cabinet.
11. Connect phase A, B, and C rectifier input power wiring from the utility source to the rectifier input terminals in the UPS cabinet. See Appendix A for wiring and termination requirements and wiring access information. Note the wiring connections for dual-feed systems.
12. Connect phase A, B, and C, and Neutral (if required) bypass input power wiring from the utility source to the bypass input terminals and neutral terminals in the UPS cabinet. See Appendix A for wiring and termination requirements and wiring access information. Note the wiring connections for dual-feed systems.
13. If wiring an IDC or IAC, proceed to Step 14; otherwise, proceed to Step 17.

14. Route and connect the output cable between the UPS cabinet and the IDC or IAC. Refer to the applicable IDC or IAC installation and operation manual, referenced in paragraph 1.5 on page 1-6, for wiring instructions. See Appendix A for UPS cabinet wiring access information.
15. Connect phase A, B, and C, and Neutral (if required) power wiring from the IDC or IAC to the UPS cabinet output and neutral terminals. See Appendix A for wiring and termination requirements.
16. Proceed to paragraph 3.2.6.3.
17. If wiring a parallel system, proceed to Step 18; otherwise, proceed to Step 20.

### CAUTION



Parallel system wiring length should be in accordance with Drawing 164201604-5, sheet 15 of 15, to ensure approximately equal current sharing when in static bypass mode.

18. Connect phase A, B, and C, and Neutral (if required) power wiring from the output and neutral terminals of each uninterruptible power module (UPM) to the module tie cabinet. See Appendix A for UPM wiring and termination requirements and wiring access information.
19. Proceed to paragraph 3.2.6.3.
20. Connect phase A, B, and C, and Neutral (if required) power wiring from output terminals and neutral terminals to the critical load. See Appendix A for wiring and termination requirements and wiring access information.
21. Proceed to paragraph 3.2.6.3.

### 3.2.6.3 Battery Wiring

### CAUTION



When sizing the battery system, do not exceed the internal battery charger capabilities. See Chapter 15, “Product Specifications,” for maximum battery charger currents.

To install wiring to connections:

1. Route and connect the battery cables between the UPS and battery cabinets in accordance with the instructions in the *Powerware 9390 Integrated Battery Cabinet (Models IBC-S and IBC-L) Installation Manual*. See Appendix A for UPS cabinet wiring access information.
2. Connect the positive, negative, and ground DC power wiring from the battery cabinet to the UPS cabinet battery terminal block and ground terminals. See Appendix A for wiring and termination requirements.
3. After wiring the UPS system to the facility power and critical load, be sure to ground the system according to local and/or national electrical wiring codes.



4. If wiring interface connections, proceed to paragraph 3.2.7; otherwise, proceed to Step 5.
5. When all wiring is complete, reinstall the safety shield panels removed in previous steps. Secure with the retained hardware.
6. Close the control panel door and secure with the retained hardware.
7. Reinstall the doors removed in paragraph 3.2.1 and secure with the retained hardware.
8. Close the doors and secure the latch.

## 3.2.7 Installing Interface Connections

### 3.2.7.1 TB1 and TB2 Connections




---

**NOTE** *When installing interface wiring for TB1 and TB2 connections, conduit must be installed between each device and the UPS cabinet.*

---

To install wiring to connections:

1. Verify the UPS system is turned off and all power sources are removed. See Chapter 10, “UPS Operating Instructions,” for shutdown instructions.
2. If not already open, unfasten the front door latch and swing the door open.
3. If not already removed, remove the doors. Remove the retaining screws located inside each door at the top and bottom hinge pivot points, then lift the door off. Retain the hardware for later use.
4. Remove the screws securing the control panel door and swing the door open. Retain the hardware for later use.
5. Remove the screws securing the top internal safety shield panel. Remove the panel to gain access to the TB1 and TB2 terminal blocks and the top conduit landing plate (see Drawing 164201604-8 starting on page A-33). Retain the hardware for later use.
6. If installing interface wiring from the bottom of the cabinet, proceed to Step 7; otherwise, proceed to Step 8.
7. Remove the screws securing the right side and bottom internal safety shield panels and remove the panels to gain access to the bottom conduit landing plate.
8. Remove the UPS cabinet top or bottom conduit landing plate to drill or punch conduit holes (see Drawing 164201604-6 on page A-27).
9. Reinstall the conduit landing plate and install the conduit.
10. To locate the appropriate terminals and review the wiring and termination requirements, see Drawing 164201604-8 starting on page A-33.

11. Route and connect the wiring.
12. If wiring TB2 battery cabinet interface connections, proceed to paragraph 3.2.7.2; if wiring the X-Slot connections only, proceed to paragraph 3.2.7.3; otherwise, proceed to Step 13.
13. When all wiring is complete, reinstall the safety shield panels removed in previous steps. Secure with the retained hardware.
14. Close the control panel door and secure with the retained hardware.
15. Reinstall the doors and secure with the retained hardware.
16. Close the doors and secure the latch.

### 3.2.7.2 TB2 Battery Cabinet Connections

To install wiring to connections:

1. Verify the UPS system is turned off and all power sources are removed. See Chapter 10, “UPS Operating Instructions,” for shutdown instructions.
2. If not already open, unfasten the front door latch and swing the door open.
3. If not already removed, remove the doors. Remove the retaining screws located inside each door at the top and bottom hinge pivot points, then lift the door off. Retain the hardware for later use.
4. Remove the screws securing the control panel door and swing the door open. Retain the hardware for later use.
5. Remove the screws securing the top internal safety shield panel. Remove the panel to gain access to the TB2 terminal block (see Drawing 164201604-8 starting on page A-33). Retain the hardware for later use.
6. To locate the appropriate terminals and review the wiring and termination requirements, see Drawing 164201604-8 starting on page A-33.
7. If battery cabinets are installed attached to the UPS cabinet, proceed to Step 8; if battery cabinets are installed separated from the UPS cabinet, proceed to Step 11.
8. Route the UV trip and Aux wiring harness supplied with the battery cabinet from the battery cabinet to the UPS cabinet. Refer to Appendix A and to the *Powerware 9390 Integrated Battery Cabinet (Models IBC-S and IBC-L) Installation Manual* for wiring access information.
9. Connect the wiring to TB2 terminals.
10. Proceed to Step 17.
11. If installing interface wiring from the bottom of the cabinet, proceed to Step 12; otherwise, proceed to Step 13.

12. Remove the screws securing the bottom and right side internal safety shield panels and remove the panels to gain access to the bottom conduit landing plate.




---

**NOTE** *When installing UV trip and Aux battery interface wiring to the UPS interface terminals, conduit must be installed between the UPS and battery cabinets.*

---

13. Remove the UPS cabinet top or bottom conduit landing plate to drill or punch conduit holes (see Drawing 164201604-6 on page A-27).
14. Reinstall the conduit landing plate and install the conduit.
15. Route the UV trip and Aux wiring from the battery cabinet to the UPS.
16. Connect the wiring to the TB2 terminals.
17. If wiring X-Slot connections, proceed to paragraph 3.2.7.3; otherwise, proceed to Step 18.
18. When all wiring is complete, reinstall the safety shield panels removed in previous steps. Secure with the retained hardware.
19. Close the control panel door and secure with the retained hardware.
20. Reinstall the doors removed previously and secure with the retained hardware.
21. Close the doors and secure the latch.

### 3.2.7.3 X-Slot Connections




---

**NOTE** *LAN and telephone drops for use with X-Slot connectivity cards must be provided by facility planners or the customer.*

**NOTE** *When installing external wiring to X-Slot cards, conduit must be installed to the UPS cabinet. When installing internal wiring to X-Slot terminals, route the wiring through the internal opening in the X-Slot communication bay.*

---

For installation and setup of an X-Slot card, please contact Powerware (see page 1-6).

To install wiring to connections:

1. If not already installed, install the LAN and telephone drops.
2. Unfasten the front door latch and swing the door open.
3. Remove the UPS cabinet X-Slot conduit landing plate to drill or punch conduit holes (see Drawing 164201604-6 on page A-27).
4. Reinstall the conduit landing plate and install the conduit.
5. Route and install the LAN, telephone, and other cables to the appropriate X-Slot cards.

6. When all wiring is complete, reinstall the safety shield panels removed in previous steps. Secure with the retained hardware.
7. Close the control panel door and secure with the retained hardware.
8. Reinstall the doors removed previously and secure with the retained hardware.
9. Close the doors and secure the latch.
10. Refer to the manual supplied with the X-Slot card for operator instructions.

### 3.2.8 Installing Accessories and Parallel System Control Wiring

To install an optional Remote Emergency Power-off Control, see Chapter 5, “Installing a Remote Emergency Power-off Control.” To install optional accessories, see Chapter 6, “Installing Options and Accessories.” To install parallel system control wiring, see Chapter 6, “Installing Options and Accessories.”

## 3.3 Initial Startup

Startup and operational checks must be performed by an authorized Eaton Customer Service Engineer, or the warranty terms specified on page W-1 become void. This service is offered as part of the sales contract for the UPS. Contact service in advance (usually a two-week notice is required) to reserve a preferred startup date.

## 3.4 Completing the Installation Checklist

The final step in installing the UPS system is completing the following Installation Checklist. This checklist ensures that you have completely installed all hardware, cables, and other equipment. Complete all items listed on the checklist to ensure a smooth installation. Make a copy of the Installation Checklist before filling it out, and retain the original. If installing a parallel system, complete the Parallel System Installation Checklist in addition to the Installation Checklist.

After the installation is complete, your Eaton service representative must verify the operation of the UPS system and commission it to support the critical load. The service representative cannot perform any installation tasks other than verifying software and operating setup parameters. Service personnel may request a copy of the completed Installation Checklist to verify all applicable equipment installations have been completed.



---

**NOTE** *The Installation Checklist MUST be completed prior to starting the UPS system for the first time.*

---

## Installation Checklist

- All packing materials and restraints have been removed from each cabinet.
- Each cabinet in the UPS system is placed in its installed location.
- The front shipping bracket is installed and adjusted, if the cabinet is not installed permanently.
- A cabinet grounding/mounting kit is installed between any cabinets that are bolted together.
- All conduits and cables are properly routed to the UPS and any ancillary cabinets.
- All power cables are properly sized and terminated.
- Neutral conductors are installed or bonded to ground as per requirements.
- Battery cables are terminated on E4 (+) and E5 (-).
- Battery UV trip and Aux contact signal wiring is connected from the UPS to the battery breaker.
- LAN and telephone drops are installed.
- All telephone and LAN connections have been completed.
- A ground conductor is properly installed.
- Air conditioning equipment is installed and operating correctly.
- The area around the installed UPS system is clean and dust-free. (It is recommended that the UPS be installed on a level floor suitable for computer or electronic equipment.)
- Adequate workspace exists around the UPS and other cabinets.
- Adequate lighting is provided around all UPS equipment.
- A 120 Vac service outlet is located within 7.5 meters (25 feet) of the UPS equipment.
- The REPO device is mounted in its installed location and its wiring is terminated inside the UPS cabinet. The REPO switch must be a latching-type switch with a dedicated circuit.
- The normally-closed (NC) Emergency Power-off contact (pins 1 and 2 on TB1) is jumpered if not used.
- Alarm relays and building alarms are wired appropriately. (OPTIONAL)
- A remote battery disconnect control is mounted in its installed location and its wiring is terminated inside the UPS and battery cabinet. (OPTIONAL)
- Accessories are mounted in installed locations and wiring is terminated inside the UPS cabinet. (OPTIONAL)
- The debris shield covering the UPS cabinet ventilation grill is removed.
- Startup and operational checks are performed by an authorized Eaton Customer Service Engineer.

## Parallel System Installation Checklist

- Each cabinet in the parallel system is placed in its installed location.
- All conduits and cables are properly routed to the UPMs and to the parallel tie or distribution cabinet.
- All power cables are properly sized and terminated.
- The bypass source feeding the optional bypass of the parallel tie cabinet and the UPMs is from the same source of supply and is a four-wire wye configuration.
- Neutral conductors are installed or bonded to ground as per requirements.
- A ground conductor is properly installed.
- Computer Area Network (CAN) wiring between the UPMs is properly installed.
- Pull chain wiring between the UPMs is properly installed.
- Adequate workspace exists around the UPMs, parallel tie cabinet, and other cabinets.
- Startup and operational checks are performed by an authorized Eaton Customer Service Engineer.

## Notes

---

---

---

---

---

---

---

---

---

---

---

---

---

---

---

---

---

---

---

---

---

---

---

**This page intentionally left blank.**



## Chapter 4 | Batteries

### 4.1 Important Safety Instructions

This chapter describes installing the UPS batteries.



#### CAUTION

Only qualified service personnel (such as a licensed electrician) should perform the battery installation. Risk of electrical shock.



**NOTE** *DO NOT DISCONNECT the batteries while the UPS is in Battery mode.*

Consider all warnings, cautions, and notes before installing or replacing batteries.



#### WARNING

- ▶ Batteries can present a risk of electrical shock or burn from high short-circuit current. The following precautions should be observed: 1) Remove watches, rings, or other metal objects; 2) Use tools with insulated handles; 3) Do not lay tools or metal parts on top of batteries; 4) Wear rubber gloves and boots.
- ▶ **ELECTRIC ENERGY HAZARD.** Do not attempt to alter any battery wiring or connectors. Attempting to alter wiring can cause injury.



#### CAUTION

- ▶ The installation of batteries should be performed by qualified service personnel knowledgeable of batteries and required precautions. Keep unauthorized personnel away from batteries.
- ▶ Replace batteries with the same number and type of batteries as originally installed in the UPS.
- ▶ Disconnect the charging source prior to connecting or disconnecting terminals.
- ▶ Determine if the battery is inadvertently grounded. If it is, remove the source of the ground. Contacting any part of a grounded battery can cause a risk of electric shock. An electric shock is less likely if you disconnect the grounding connection before you work on the batteries.
- ▶ Proper disposal of batteries is required. Refer to your local codes for disposal requirements.
- ▶ Never dispose of batteries in a fire. Batteries may explode when exposed to flame.

**AVERTISSEMENT!**

- ▶ Les batteries peuvent présenter un risque de décharge électrique ou de brûlure par des courts-circuits de haute intensité. Prendre les précautions nécessaires.
- ▶ Pour le remplacement, utiliser le même nombre et modèle des batteries.

**ATTENTION!**

- ▶ Une mise au rebut réglementaire des batteries est obligatoire. Consulter les règlements en vigueur dans votre localité.
- ▶ Ne jamais jeter les batteries au feu. L'exposition aux flammes risque de les faire exploser.

## 4.2 Installing Batteries



**NOTE** *There is no DC disconnect device within the UPS.*

Install batteries in accordance with the battery and battery rack manufacturer's instructions.

## 4.3 Recycling the Used Battery or UPS

Contact your local recycling or hazardous waste center for information on proper disposal of the used battery or UPS.

**WARNING**

- ▶ Do not dispose of the battery or batteries in a fire. Batteries may explode. Proper disposal of batteries is required. Refer to your local codes for disposal requirements.
- ▶ Do not open or mutilate the battery or batteries. Released electrolyte is harmful to the skin and eyes. It may be toxic.

**CAUTION**

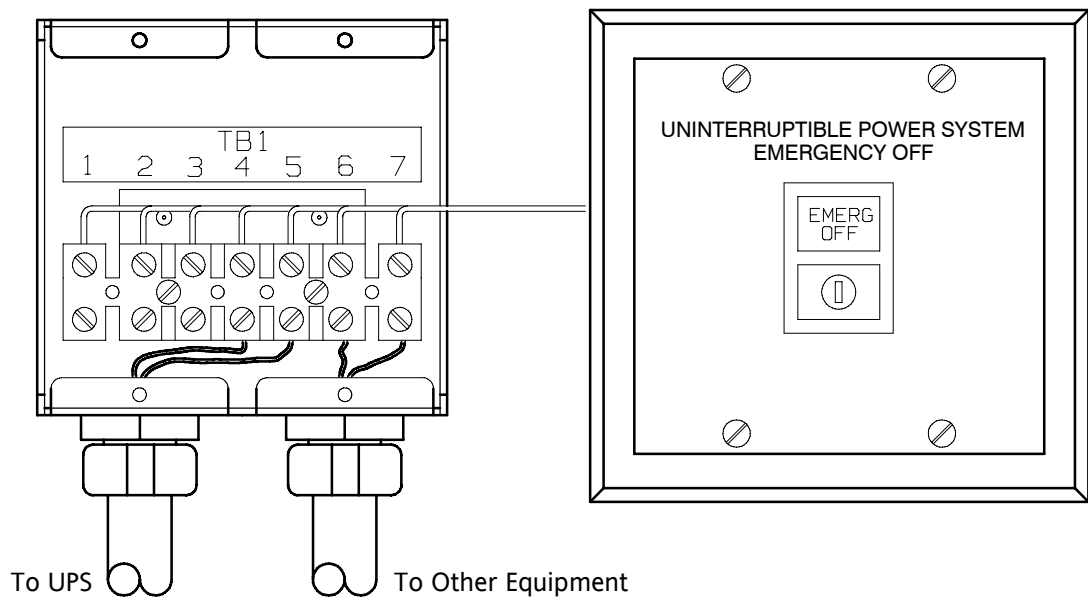
Do not discard the UPS or the UPS batteries in the trash. This product contains sealed, lead-acid batteries and must be disposed of properly. For more information, contact your local recycling/reuse or hazardous waste center.

**CAUTION**

Do not discard waste electrical or electronic equipment (WEEE) in the trash. For proper disposal, contact your local recycling/reuse or hazardous waste center.

## Chapter 5 | Installing a Remote Emergency Power-off Switch

A latching-type REPO switch can be used in an emergency to shut down the UPS and remove power to the critical load from a location away from where the UPS is installed. Figure 5-1 shows a REPO switch.



**Figure 5-1. REPO Switch**



**NOTE** When installing the REPO switch, you must install conduit between the device and the UPS cabinet for wiring the switch.

**NOTE** Remove the UPS cabinet top or bottom conduit landing plate to punch conduit holes (see Drawing 164201604-6 on page A-27).

**NOTE** The REPO switch must be a latching-type switch with a dedicated circuit.

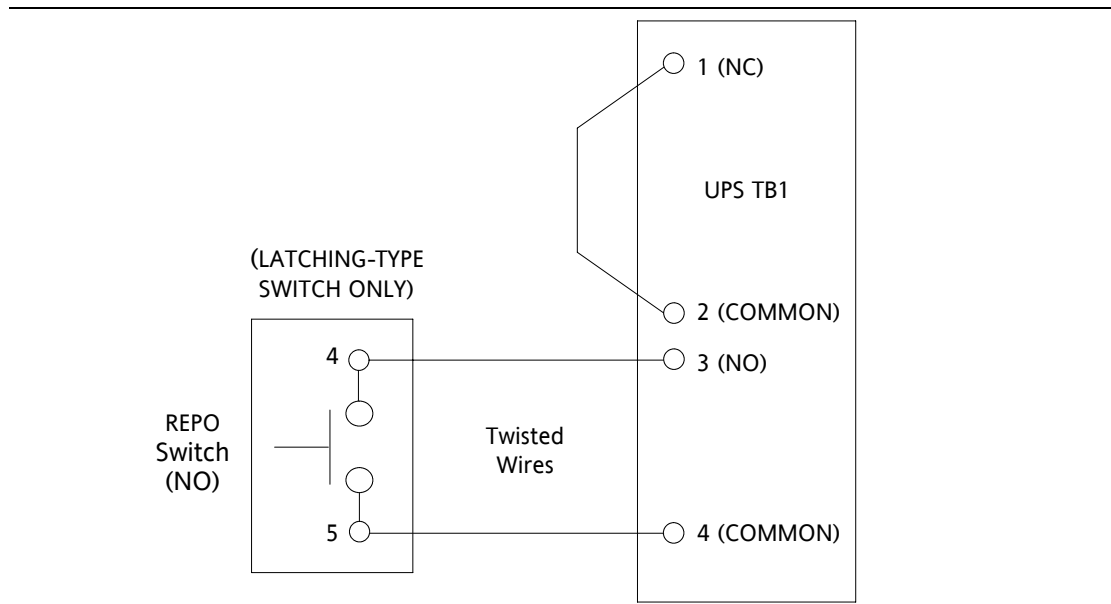
1. Securely mount the REPO station. Recommended locations include operator's consoles or near exit doors. See Drawing 164201604-10 on page A-50 for enclosure dimensions and wiring knockouts.
2. Verify the UPS system is turned off and all power sources are removed. See Chapter 10, "UPS Operating Instructions" for shutdown instructions.
3. If not already open, unfasten the front door latch and swing the door open.
4. If not already removed, remove the doors. Remove the retaining screws located inside each door at the top and bottom hinge pivot points, then lift the door off. Retain the hardware for later use.
5. Remove the screws securing the control panel door and swing the door open. Retain the hardware for later use.

6. Remove the screws securing the internal panel covering the TB1 and TB2 terminal blocks at the top of the UPS cabinet (see Drawing 164201604-8 starting on page A-33).
7. If installing interface wiring from the bottom of the cabinet, proceed to Step 8; otherwise, proceed to Step 10.
8. Remove the screws securing the top internal safety shield panel and open the panel to gain access to the bottom wiring entry.
9. Remove the screws securing the bottom internal safety shield panel and remove the panel to gain access to the bottom conduit landing plate.
10. To locate the appropriate terminals and review the wiring and termination requirements, see Figure 5-1 and Drawing 164201604-8 starting on page A-33.
11. Route and connect the wiring as shown in Table 5-1 and Table 5-2.
12. If a normally-closed EPO switch is not used, ensure a jumper wire is connected between pins 1 and 2 on UPS TB1.

**Table 5-1. REPO Wire Terminations**

From REPO Station(s)	To Customer Interface Terminal Board TB1 in UPS Cabinet	Remarks
TB1-4	TB-3	Twisted Wires (2) 14–22 AWG
TB1-5	TB-4	

**Table 5-2. REPO**



REPO switch rating is 24 Vdc. 1A minimum if supplied by customer.

**NOTE** *The REPO switch must be a latching-type switch with a dedicated circuit.*

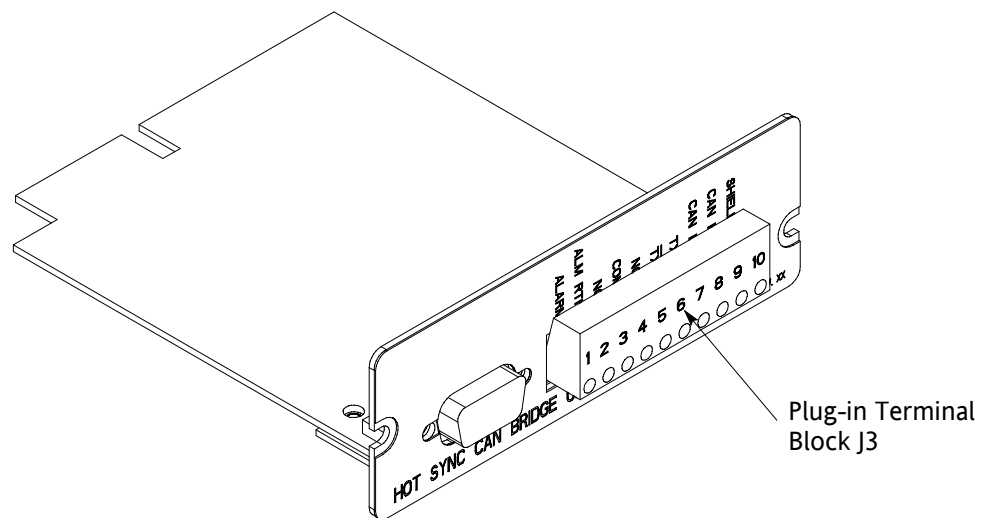
- 13.** If you are installing multiple REPO stations, wire additional stations in parallel with the first REPO.
- 14.** If required, install wiring from the REPO station to trip circuitry of upstream protective devices. A normally-open (NO) contact is provided between terminals 6 and 7 of REPO, as shown in Figure 5-1. REPO switch wiring must be in accordance with UL Class II requirements.
- 15.** When all wiring is complete, reinstall the safety shield panels removed in the previous steps.
- 16.** Close the control panel door and secure with the retained hardware.
- 17.** Reinstall the doors removed in Step 4 and secure with the retained hardware.
- 18.** Close the doors and secure the latch.

**This page intentionally left blank.**

## Chapter 6 | Installing Options and Accessories

### 6.1 Installing a Powerware Hot Sync CAN Bridge Card

As an option, a Powerware Hot Sync Computer Area Network Bridge Card shown in Figure 6-1, can be installed to provide connectivity for operational mode control and metering of a parallel system at any UPM in the system. In addition, this card can be used to connect optional system monitoring devices, such as a Remote Monitor Panel II, a Relay Interface Module II, or a Supervisory Contact Module II to the UPS.



**Figure 6-1. Powerware Hot Sync CAN Bridge Card**



**NOTE** Only one Powerware Hot Sync CAN Bridge Card can be installed in the UPS. Multiple CAN cards are not supported and will cause system conflicts.

1. Verify the UPS system is turned off and all power sources are removed. See Chapter 10, “UPS Operating Instructions,” for shutdown instructions.
2. If not already open, unfasten the front door latch and swing the door open.
3. Install the Powerware Hot Sync CAN Bridge Card into an open X-Slot on the front of the UPS. Remove the X-Slot cover panel to gain access to the X-Slot. See Drawing 164201604-8 starting on page A-33 for location of the X-Slot communication bay.

4. Install wiring from the Powerware Hot Sync CAN Bridge Card in accordance with the instructions listed below:
  - ▶ Parallel system wiring (see paragraph 6.2)
  - ▶ RMP II wiring (see paragraph 6.3)
  - ▶ RIM II (see paragraph 6.4)
  - ▶ SCM II (see paragraph 6.5)

## 6.2 Installing Parallel System Control Wiring



---

**NOTE** *When installing external wiring to the X-Slot CAN card, conduit must be installed to the UPS cabinet. When installing internal wiring to the X-Slot CAN card terminals, route the wiring through the internal opening in the X-Slot communication bay.*

**NOTE** *When installing interface wiring for the parallel system pull chain, conduit must be installed between UPMs.*

---

To install parallel system control wiring, perform the following procedure:

1. Verify the UPS system is turned off and all power sources are removed. See Chapter 10, “UPS Operating Instructions,” for shutdown instructions.
2. Perform the procedure listed in paragraph 6.1.
3. If not already removed, remove the doors. Remove the retaining screws located inside each door at the top and bottom hinge pivot points, then lift the door off. Retain the hardware for later use.
4. Remove the screws securing the control panel door and swing the door open. Retain the hardware for later use.
5. Remove the screws securing the top internal safety shield panel. Remove the panel to gain access to the TB1 and TB2 terminal blocks, X-Slot communication bays, and the top conduit landing plate (see Drawing 164201604-8 starting on page A-33). Retain the hardware for later use.
6. If installing interface wiring from the bottom of the cabinet, proceed to Step 7; otherwise, proceed to Step 8.
7. Remove the screws securing the bottom internal safety shield panel and remove the panel to gain access to the bottom conduit landing plate.
8. Remove the X-Slot conduit landing plate from the UPS cabinet to drill or punch conduit holes (see Drawing 164201604-6 on page A-27).
9. Reinstall the conduit landing plate and install the conduit.
10. Install CAN wiring between UPMs. See Drawing 164201604-8 starting on page A-33 for Powerware Hot Sync CAN Bridge Card location, terminal location, and wiring information.



11. Install parallel system backup control (pull chain) wiring between UPMs. See Drawing 164201604-8 starting on page A-33 for terminal locations and wiring information.
12. Install parallel system backup control (pull chain) wiring between the bypass relay and building alarm 2. See Drawing 164201604-8 starting on page A-33 for terminal locations and wiring information.




---

**NOTE** *Setup of the Powerware Hot Sync CAN Bridge Card for parallel operation must be performed by an authorized Eaton Customer Service Engineer. Contact service to schedule a date.*

---

13. When all wiring is complete, reinstall the safety shield panels removed in previous steps. Secure with the retained hardware.
14. Close the control panel door and secure with the retained hardware.
15. Reinstall the doors removed previously and secure with the retained hardware.
16. Close the doors and secure the latch.

### 6.3 Installing a Remote Monitor Panel II

To install RMP II wiring, perform the following procedure:

1. Verify the UPS system is turned off and all power sources are removed. See Chapter 10, “UPS Operating Instructions,” for shutdown instructions.
2. Perform the procedure listed in paragraph 6.1.




---

**NOTE** *If mounting to a hollow wall, secure the enclosure to a wood or metal stud within the wall. Do not use hollow wall anchors.*

---

3. Securely mount the RMP II at the desired location. See drawing 164201604-11 on page A-51 for mounting hole locations.




---

**NOTE** *When installing signal wiring for CAN card J3 terminals, conduit must be installed between the device and the UPS cabinet.*

**NOTE** *Remove the UPS cabinet top or bottom conduit landing plate to drill or punch conduit holes (see Drawing 164201604-6 on page A-27).*

---

4. Remove the X-Slot conduit landing plate from the UPS cabinet to drill or punch conduit holes (see Drawing 164201604-6 on page A-27).
5. Reinstall the conduit landing plate.
6. Install conduit between the UPS and RMP II. See Appendix A for UPS cabinet and RMP II wiring access information.

7. Install wiring between the UPS and RMP II. See Drawing 164201604-8 starting on page A-33 for Powerware Hot Sync CAN Bridge Card and RMP II location, terminal location, and wiring information.



---

**NOTE** *120 Vac for the RMP II should be supplied from the critical bus by facility planners or the customer.*

---

8. Install 120 Vac power wiring from the critical bus to the RMP II. See Drawing 164201604-8 starting on page A-33 for terminal location and wiring information.



---

**NOTE** *Setup of the Powerware Hot Sync CAN Bridge Card must be performed by an authorized Eaton Customer Service Engineer. Contact service to schedule a date.*

---

9. To check the operation of the RMP II, ensure that the UPS is supplying the load via inverter or bypass. If the indicators on the RMP II show the appropriate status, then it is operating correctly.

If the communication link between the UPS and the RMP II is not present, the RMP II performs a self-test (all indicators flash and the horn beeps at one-second intervals). If the self-test occurs, check all harness connectors and the fuse for proper seating. If all connections are secure but the RMP II continues to self-test, replace the fuse with the spare included in the hardware kit. If a fuse replacement does not correct the problem, contact your Eaton service representative for verification that the RMP II is working correctly.

10. To test the indicator lamps, press and hold the horn silence pushbutton for 3 seconds. All lamps should illuminate, and the horn sounds continuously until you release the pushbutton.

## 6.4 Installing a Relay Interface Module II

To install RIM II wiring, perform the following procedure:

1. Verify the UPS system is turned off and all power sources are removed. See Chapter 10, “UPS Operating Instructions,” for shutdown instructions.
2. Perform the procedure listed in paragraph 6.1.



---

**NOTE** *If mounting to a hollow wall, secure the enclosure to a wood or metal stud within the wall. Do not use hollow wall anchors.*

---

3. Securely mount the RIM II at the desired location. See drawing 164201604-12 for mounting hole locations.



**NOTE** When installing signal wiring for CAN card J3 terminals, conduit must be installed between the device and the UPS cabinet.

**NOTE** Remove the UPS cabinet top or bottom conduit landing plate to drill or punch conduit holes (see Drawing 164201604-6 on page A-27).

4. Remove the X-Slot conduit landing plate from the UPS cabinet to drill or punch conduit holes (see Drawing 164201604-6 on page A-27).
5. Reinstall the conduit landing plate.
6. Install conduit between the UPS and RIM II. See Appendix A for UPS cabinet and RIM II wiring access information.
7. Install wiring between the UPS and RIM II. See Drawing 164201604-8 starting on page A-33 for Powerware Hot Sync CAN Bridge Card and RIM II location, terminal location, and wiring information.



**NOTE** 120 Vac for the RIM II should be supplied from the critical bus by facility planners or the customer.

8. Install 120 Vac power wiring from the critical bus to the RIM II. See Drawing 164201604-8 starting on page A-33 for terminal location and wiring information.



**NOTE** Setup of the Powerware Hot Sync CAN Bridge Card must be performed by an authorized Eaton Customer Service Engineer. Contact service to schedule a date.

9. Contact your Eaton service representative for verification and testing of the RIM II and its connections prior to making connections with J1 through J4 (see Table 6-1 and Drawing 164201604-12 on page A-52).

You can order interface cables separately for connecting to the 15-Pin D-Sub Connectors.

**Table 6-1. J1 through J4 Interface Connectors**

Status	J1 through J4	Description
UPS AVAILABLE	Pins 1 and 12	Contacts are closed when the UPS is offline.
UPS OFFLINE	Pins 3 and 13	Contacts are closed when the UPS is operating in Normal mode.
BATTERY WEAK	Pins 5 and 14	Contacts are closed when approximately two minutes of battery time is remaining before the critical load is lost.
UTILITY FAILURE	Pins 6 and 15	Contacts are closed when Utility Failure is detected.

## 6.5 Installing a Supervisory Contact Module II

To install SCM II wiring, perform the following procedure:

1. Verify the UPS system is turned off and all power sources are removed. See Chapter 10, “UPS Operating Instructions,” for shutdown instructions.
2. Perform the procedure listed in paragraph 6.1.



**NOTE** *If mounting to a hollow wall, secure the enclosure to a wood or metal stud within the wall. Do not use hollow wall anchors.*

---

3. Securely mount the SCM II at the desired location. See drawing 164201604-13 on page A-54 for mounting hole locations.



**NOTE** *When installing signal wiring for CAN card J3 terminals, conduit must be installed between the device and the UPS cabinet.*

**NOTE** *Remove the UPS cabinet top or bottom conduit landing plate to drill or punch conduit holes (see Drawing 164201604-6 on page A-27).*

---

4. Remove the X-Slot conduit landing plate from the UPS cabinet to drill or punch conduit holes (see Drawing 164201604-6 on page A-27).
5. Reinstall the conduit landing plate.
6. Install conduit between the UPS and SCM II. See Appendix A for UPS cabinet and SCM II wiring access information.
7. Install wiring between the UPS and SCM II. See Drawing 164201604-8 starting on page A-33 for Powerware Hot Sync CAN Bridge Card and SCM II location, terminal location, and wiring information.



**NOTE** *120 Vac for the SCM II should be supplied from the critical bus by facility planners or the customer.*

---

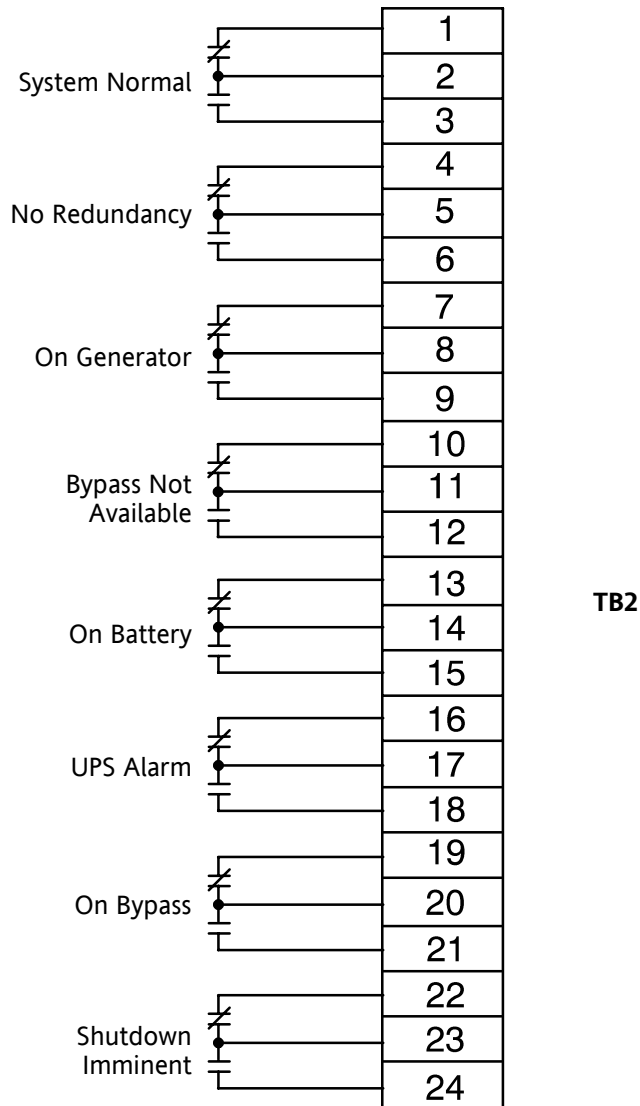
8. Install 120 Vac power wiring from the critical bus to the SCM II. See Drawing 164201604-8 starting on page A-33 for terminal location and wiring information.



**NOTE** *Setup of the Powerware Hot Sync CAN Bridge Card must be performed by an authorized Eaton Customer Service Engineer. Contact service to schedule a date.*

---

9. Install wiring between the SCM II terminal block TB2 and the monitoring equipment. See Figure 6-2 for terminal assignments and Drawing 164201604-8 on page A-33 for terminal block location.



**Figure 6-2. Supervisory Contact Module II TB2**



**NOTE** Supervisory contacts are rated at 2.0A at 28 Vdc or 120 Vac and 0.15A at 115 Vdc.

**NOTE** Supervisory contacts require an external power supply. Internal 24 Vdc is not capable of supplying contact current.

**This page intentionally left blank.**

# **Section II** | **Operation**

**This page intentionally left blank.**



## Chapter 7 | Understanding UPS Operation

### 7.1 Looking Inside the UPS System

The Powerware 9390 UPS is a continuous-duty, solid-state, transformerless (at 208 and 480 Vac), three-phase, true online system that provides conditioned and uninterruptible AC power to the UPS system's output. The UPS supports process control, data processing, telecommunications/PBX, research, and non-patient medical equipment. The Powerware 9390 UPS maintains power to the critical loads during commercial electrical power brownout, blackout, overvoltage, undervoltage, and out-of-tolerance frequency conditions.

The basic system consists of a rectifier, battery converter, inverter, monitoring/operation control panel, integrated communication server, and digital signal processor (DSP) logic.

In this manual, the power required by your equipment is called the *critical load*. The UPS supplies the critical load with conditioned power that is synchronized with your utility power. Figure 7-1 shows the main elements of the UPS system.

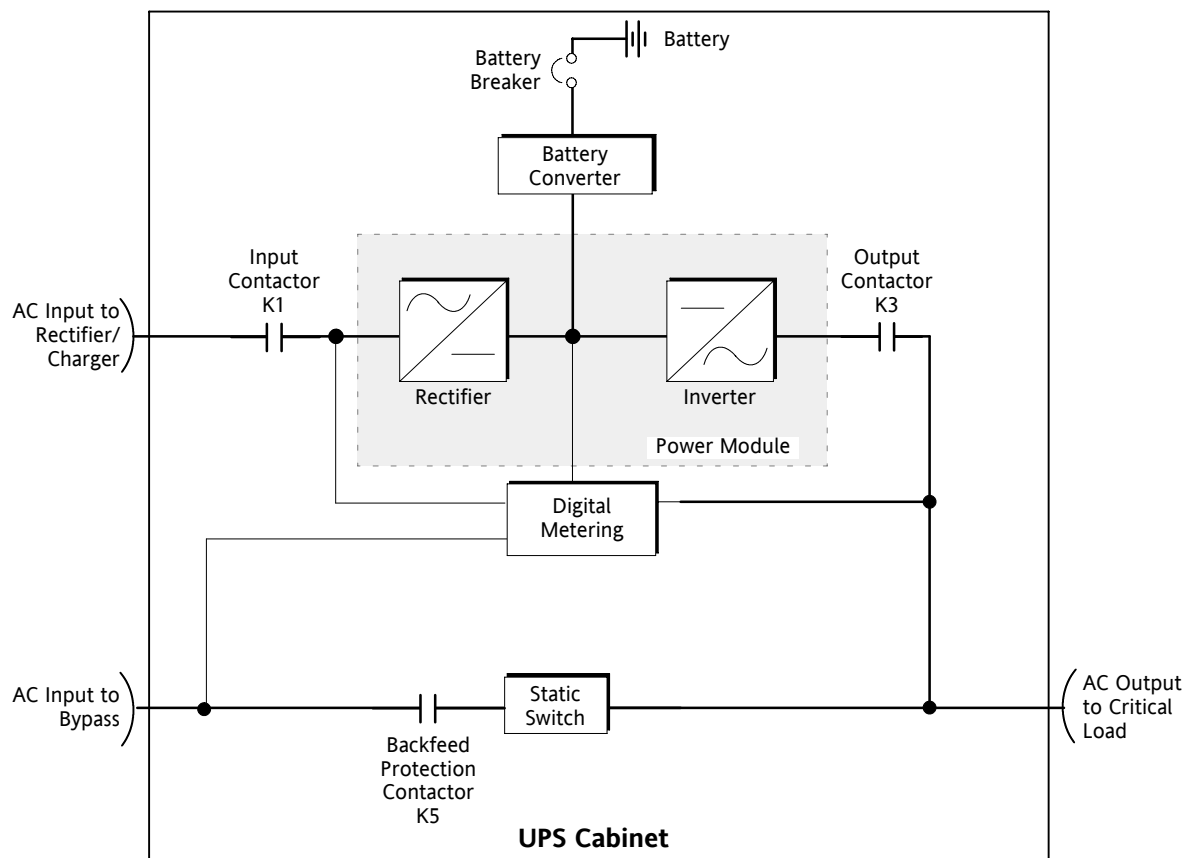


Figure 7-1. Main Elements of the UPS System

If utility power is interrupted or falls outside the parameters specified in Chapter 15, “Product Specifications,” the UPS uses a *backup battery supply* to maintain power to the critical load for a specified period of time or until the utility power returns. For extended power outages, the UPS allows you to either transfer to an alternative power system (such as a generator) or shut down your critical load in an orderly manner.

The emergency bypass consists of a continuous-duty static switch and backfeed protection contactor K5. The backfeed protection contactor is located in series with the static switch. For manual transfers to bypass, the static switch is also used. The static switch is armed and ready during both types of transfers.

The operation of the UPS system is described in greater detail in the following paragraphs.

The UPS module may be configured for standalone, single module, Reverse Transfer (RT) operation or multiple module, parallel redundant and/or parallel capacity operation (see paragraphs 7.2 and 7.3).

## 7.2 Single Module Reverse Transfer (RT)

A single module operates independently to support an applied load from the inverter, providing conditioned and uninterruptible AC power to the critical load from the output of the module. During an outage, the inverter continues to operate, supporting power to the load from the battery supply. If the unit requires service, applied loads are transferred to the internal bypass, continuous-duty static switch either automatically or manually. With the exception of a battery cabinet, no other cabinets or equipment are required for the single module to successfully support its applied loads.

### 7.2.1 Single Module RT Modes

The Powerware 9390 UPS supports a critical load in three different modes of operation. The UPS can automatically use all three modes, as required. The standard operation modes are:

- ▶ In Normal mode, the critical load is supplied by the inverter, which derives its power from rectified utility AC power. In this mode, the battery charger also provides charging current for the battery, if needed.
- ▶ In Battery mode, the battery provides DC power, which maintains inverter operation. The battery supports the critical load.
- ▶ In Bypass mode, the critical load is directly supported by utility power.

The UPS continually monitors itself and the incoming utility power, and automatically switches between these modes as required, without operator intervention. The sophisticated detection and switching logic inside the UPS ensures that operating mode changes are automatic and transparent to the critical load, while internal monitoring systems indicate the current mode of operation. The UPS switches operating modes in response to these system events:

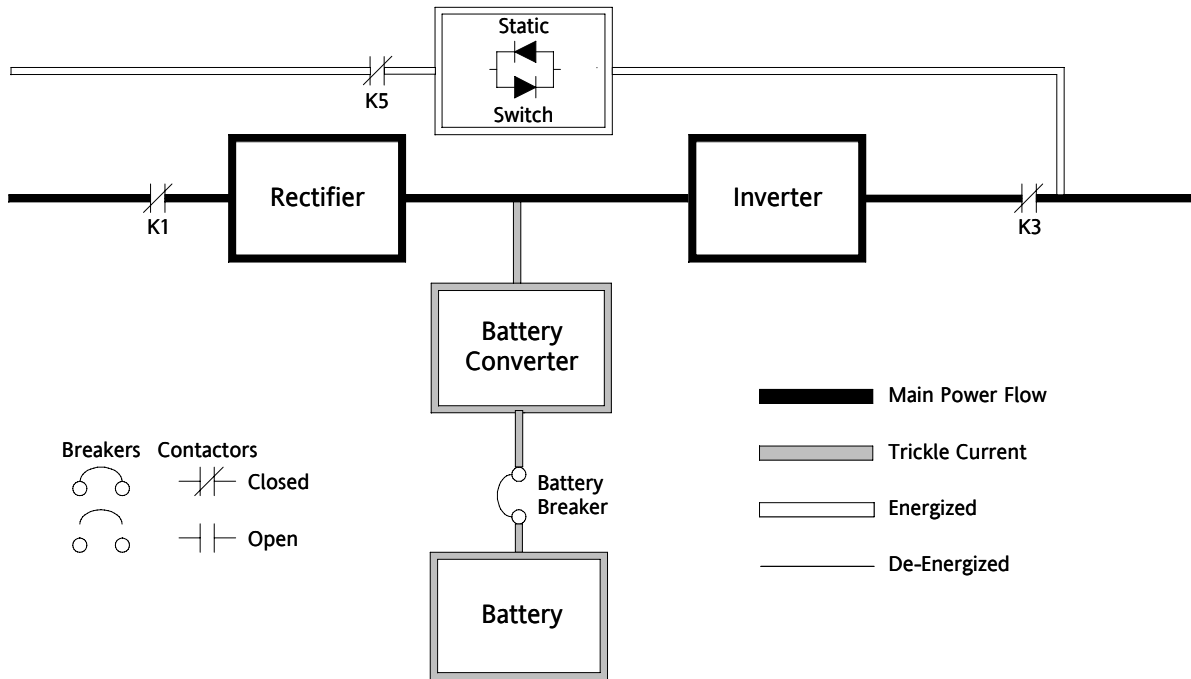
- ▶ A *command* is an intervention that is externally initiated by an operator or by some site action. A command causes the UPS to switch operating modes; it usually does not require any further action.
- ▶ A *notice* is a minor system event that may or may not require attention.
- ▶ An *alarm* is a system event that requires immediate operator intervention.

System events, alarm horns, and indicator lights are described in Chapter 12, “Responding to System Events.”

The following paragraphs describe the differences in the three UPS operating modes, using block diagrams to show the power flow during each mode of operation.

## 7.2.2 Normal Mode – RT

Figure 7-2 shows the path of electrical power through the UPS system when the UPS is operating in Normal mode.



**Figure 7-2. Path of Current Through the UPS in Normal Mode – RT**

During normal UPS operation, power for the system is derived from a utility input source through the rectifier input contactor K1. The front panel displays “Normal,” indicating the incoming power is within voltage and frequency acceptance windows. Three-phase AC input power is converted to DC using IGBT devices to produce a regulated DC voltage to the inverter. The battery is charged directly from the regulated rectifier output through a buck or boost DC converter, depending on whether the system is 208V or 480V and the size of the battery string attached to the unit.

The battery converter derives its input from the regulated DC output of the rectifier and provides either a boosted or bucked regulated DC voltage charge current to the battery. The UPS monitors the battery charge condition and reports the status on the control panel. The battery is always connected to the UPS and ready to support the inverter should the utility input become unavailable.

The neutral from the system input is connected to the neutral regulator in the DC capacitors. The output neutral of the system is connected with the required neutral supplied at the utility bypass input and should never be bonded to ground at the module's output.

The inverter produces a three-phase AC output to a customer's load without the use of a transformer. The inverter derives regulated DC from the rectifier and uses IGBT devices and pulse-width modulation (PWM) to produce a regulated and filtered AC output. The AC output of the inverter is delivered to the system output through the output contactor K3.

If the utility AC power is interrupted or is out of specification, the UPS automatically switches to Battery mode to support the critical load without interruption. When utility power returns, the UPS returns to Normal mode.

If the UPS becomes overloaded or unavailable, the UPS switches to Bypass mode. The UPS automatically returns to Normal mode when the overload condition is cleared and system operation is restored within specified limits.

If the UPS suffers an internal failure, it switches automatically to Bypass mode and remains in that mode until the failure is corrected and the UPS is back in service.

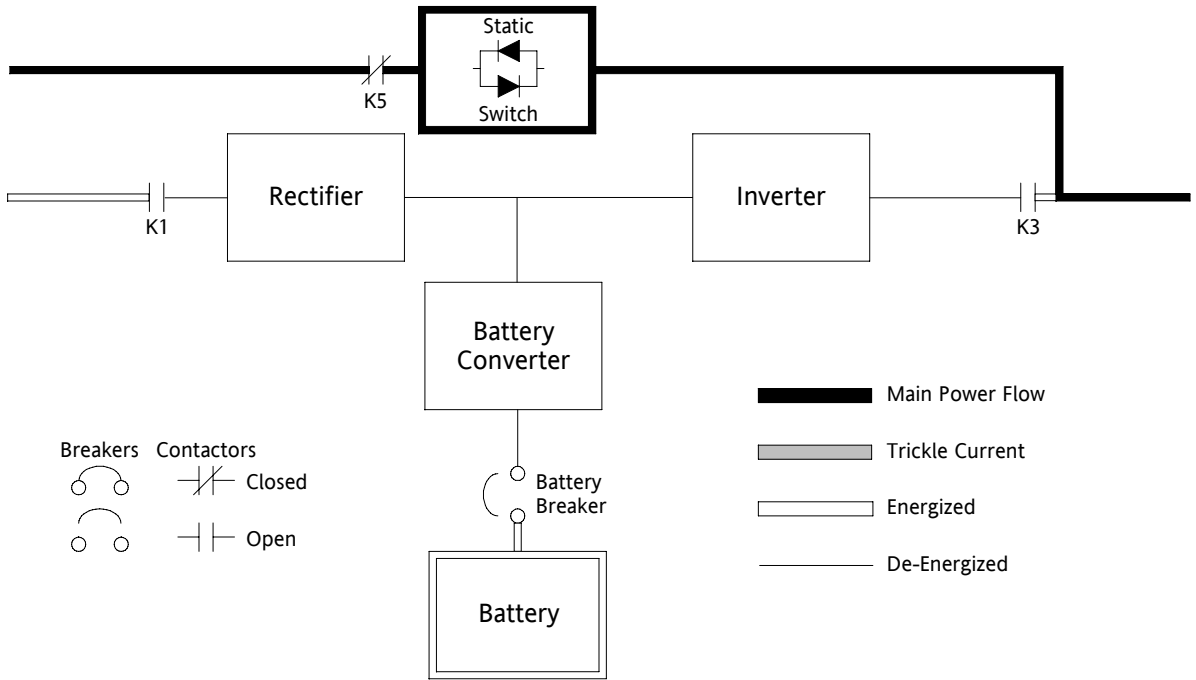
### 7.2.3 Bypass Mode – RT

The UPS automatically switches to Bypass mode if it detects an overload, load fault, or internal failure. The bypass source supplies the commercial AC power to the load directly. Figure 7-3 shows the path of electrical power through the UPS system when operating in Bypass mode.



#### CAUTION

The critical load is not protected while the UPS is in Bypass mode.



**Figure 7-3. Path of Current Through the UPS in Bypass Mode – RT**

In Bypass mode, the output of the system is provided with three-phase AC power directly from the system input. While in this mode, the output of the system is not protected from voltage or frequency fluctuations or power outages from the source. Some power line filtering and spike protection is provided to the load but no active power conditioning or battery support is available to the output of the system in the Bypass mode of operation.

The internal bypass is comprised of a solid-state, silicon-controlled rectifier (SCR) static switch (SSW) and a backfeed protection contactor K5. The static switch is rated as a continuous-duty device that is used anytime the inverter is unable to support the applied load. The static switch is wired in series with the backfeed protection contactor, and together they are wired in parallel with the rectifier and inverter. The static switch, being an electronically-controlled device, can be turned on immediately to pick up the load from the inverter while the inverter output contactor K3 opens to isolate the inverter. The backfeed protection contactor is normally always closed, ready to support the static switch unless the bypass input source becomes unavailable.

During an outage, the UPS prohibits transfers to bypass and provides upstream protection. The backfeed protection contactor is opened, preventing system output voltage from bleeding across the static switch snubber components to the bypass input source.

To ensure the load remains energized, the UPS automatically transfers the output to the internal bypass when one of these abnormal conditions occur: the output of the system exceeds acceptable voltage and frequency tolerances, the system is overloaded, or the inverter fails. The transfer is initiated by turning on the static switch and opening the output contactor K3, also called a Make-Before-Break transfer. The transfer occurs in less than 4 mS (quarter cycle) to ensure that the output load is not interrupted. The static switch remains on until either the inverter is able to support the system output or the unit is placed into a maintenance position where repairs can be made.

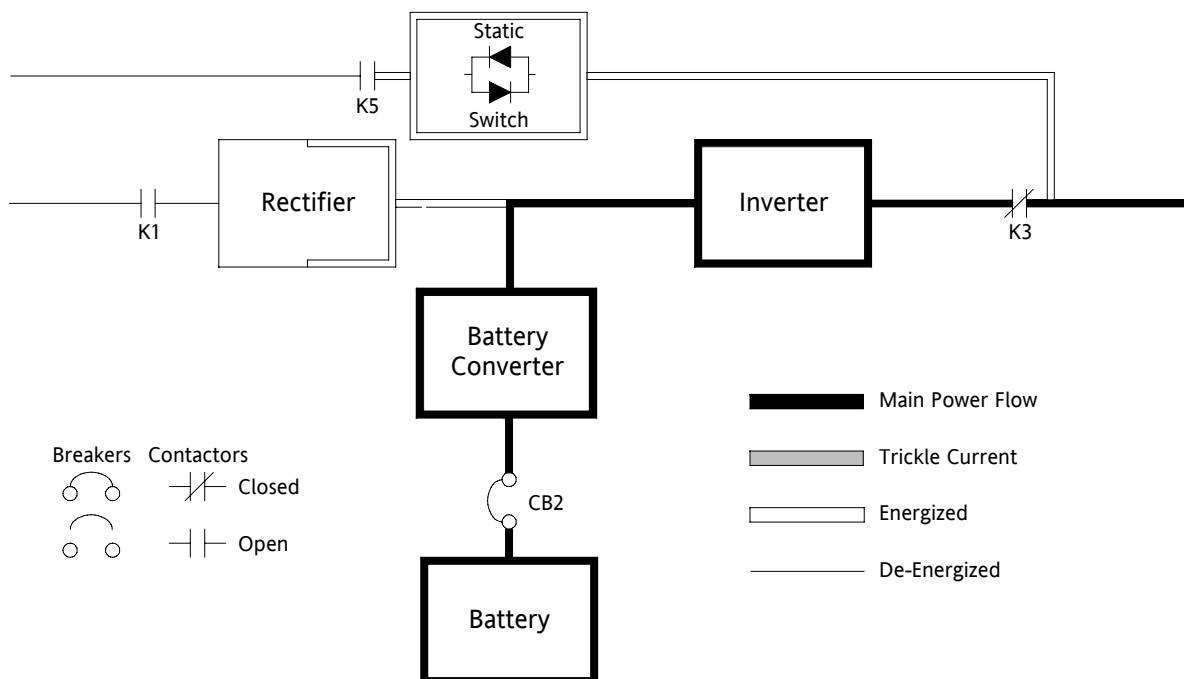
If the UPS initiates its own transfer to bypass for any reason other than operator intervention, the UPS attempts to restart the inverter (if not running already) and attempts a transfer back online to support the output of the system. Three attempts are made within ten minutes to return the inverter online automatically before the UPS locks out any further attempts. After three attempts, the UPS remains in bypass and an alarm condition is enunciated. The UPS can also be transferred to bypass using the front panel controls.

Bypass mode is a normal operating mode, not an alarm condition. However, if the UPS is unable to return to Normal mode following an automatic transfer to Bypass mode, an alarm condition is recorded.

## 7.2.4 Battery Mode – RT

The UPS automatically transfers to Battery mode if a utility power outage occurs, or if the utility power does not conform to specified parameters. In Battery mode, the battery provides emergency DC power that the inverter converts to AC power.

Figure 7-4 shows the path of electrical power through the UPS system when operating in Battery mode.



**Figure 7-4. Path of Current Through the UPS in Battery Mode – RT**

During a utility power failure, the rectifier no longer has an AC utility source from which to supply the DC output current required to support the inverter. The input contactor K1 opens and the battery instantaneously supplies energy to the battery converter. The converter either bucks or boosts the voltage so that the inverter can support the customer’s load without interruption. If bypass is common with the rectifier input, the backfeed protection contactor K5 also opens. The opening of contactors K1 and K5 prevent system voltages from bleeding backwards through the static switch and rectifier snubber components and re-entering the input source.

While in Battery mode, the UPS sounds an audible horn, illuminates a visual indicator lamp on the front panel (System Normal, On Battery), and creates an entry into the alarm event history. As the battery discharges, the converter and inverter constantly make minute adjustments to maintain a steady output. The UPS remains in this operating mode until the input power to the rectifier is again within the specified voltage or frequency acceptance windows.



If the input power fails to return or is not within the acceptance windows required for normal operation, the battery continues discharging until a DC voltage level is reached where the inverter output can no longer support the connected loads. When this event occurs, the UPS issues another set of audible and visual alarms indicating SHUTDOWN IMMINENT. Unless the rectifier has a valid AC input soon, the output can be supported for only two minutes before the output of the system shuts down. If the bypass source is available, the UPS transfers to bypass instead of shutting down.

If at any time during the battery discharge the input power becomes available again, contactors K1 and K5 close and the rectifier begins to supply DC current to the converter and inverter. At this point, the unit returns to Normal mode. Depending on the total load and the duration of the battery discharge, battery current limit alarms may be seen for a short time due to the current required to recharge the battery.

The system's total operating time on battery depends on many factors. Some factors that affect battery support times are battery type and capacity, number of parallel strings, environmental temperatures, age of the battery, and fluctuations in load demand during the discharge. The greater the load, the less support time the battery has. Decreasing the load generally increases the battery support time.

## 7.3 Multiple Module Parallel System

Parallel operation extends the normal operation of Powerware 9390 UPS units by offering increased capacity and/or redundant capability. The parallel system continues to maintain power to the critical loads during commercial electrical power brownout, blackout, overvoltage, undervoltage, and out-of-tolerance frequency conditions. See Drawing 164201604-4, sheets 4 of 6, 5 of 6, and 6 of 6 in Appendix A, for a detailed relationship of the parallel system.

The output of the system is normally supplied by several uninterruptible power modules. Multiple UPMs are connected with their outputs in parallel (tied together) to provide a load level greater than the rating of one UPM and/or for redundancy. The paralleled UPMs supply the output load with protected power as long as the load does not exceed the combined rating of the paralleled UPMs.

The power system is redundant as long as one of the UPMs can be disconnected from the output bus and the remaining UPMs can continue to supply power to the load without exceeding their ratings.

When the load is being supplied by the UPMs, the system output bus is continuously monitored for an overvoltage or undervoltage condition. If an out of limits condition is detected, the paralleled UPMs transfer the load to bypass using the UPM static switches.

Communication is required between the UPMs for system metering and mode control. System level communication and control are accomplished using a Computer Area Network. A single building alarm in each UPM, connected to the other UPMs in parallel, and tied to the bypass contactor auxiliary contacts in each UPM are used for a secondary communication path. This arrangement ensures bypass control even if the CAN bus is lost.

Up to four units can be paralleled for redundancy or capacity without any additional cabinets.

The system is paralleled for redundancy (1+1) in a system where two UPMs are paralleled together and the load is less than the supporting capability of one of the UPMs. The system is paralleled for capacity (2+0) if both UPMs in a system are required to support the load.

A parallel capacity system can also be redundant (2+1), as long as there is always one or more UPMs online than required to support the load.

### 7.3.1 Multiple Module Parallel System Modes

Similar to the single module system, the Powerware 9390 UPS parallel system supports a critical load in three different modes of operation. The standard operation modes are:

- ▶ In Normal mode, the paralleled UPMs supply the critical load with clean, filtered power. Each UPM battery charger also provides charging current for the battery if needed.
- ▶ In Battery mode, the battery provides DC power, which maintains UPM operation. The UPM batteries support the critical load.
- ▶ In Bypass mode, the critical load is directly supported by utility power through the continuous-duty static bypass switch in each UPM.

The UPMs continually monitor themselves and the incoming utility power, and automatically switch between these modes as required, without operator intervention, except when manually switching to Bypass mode. The sophisticated detection and switching logic inside the UPMs ensures that operating mode changes are automatic and transparent to the critical load, while internal monitoring systems indicate the current mode of operation. The UPMs switch operating modes in response to these system events:

- ▶ A *command* is an intervention that is externally initiated by an operator or by some site action. A command causes the UPMs to switch operating modes; it usually does not require any further action.
- ▶ A *notice* is a minor system event that may or may not require attention.
- ▶ An *alarm* is a system event that requires immediate intervention.

System events, alarm horns, and indicator lights are described in Chapter 12, “Responding to System Events.”

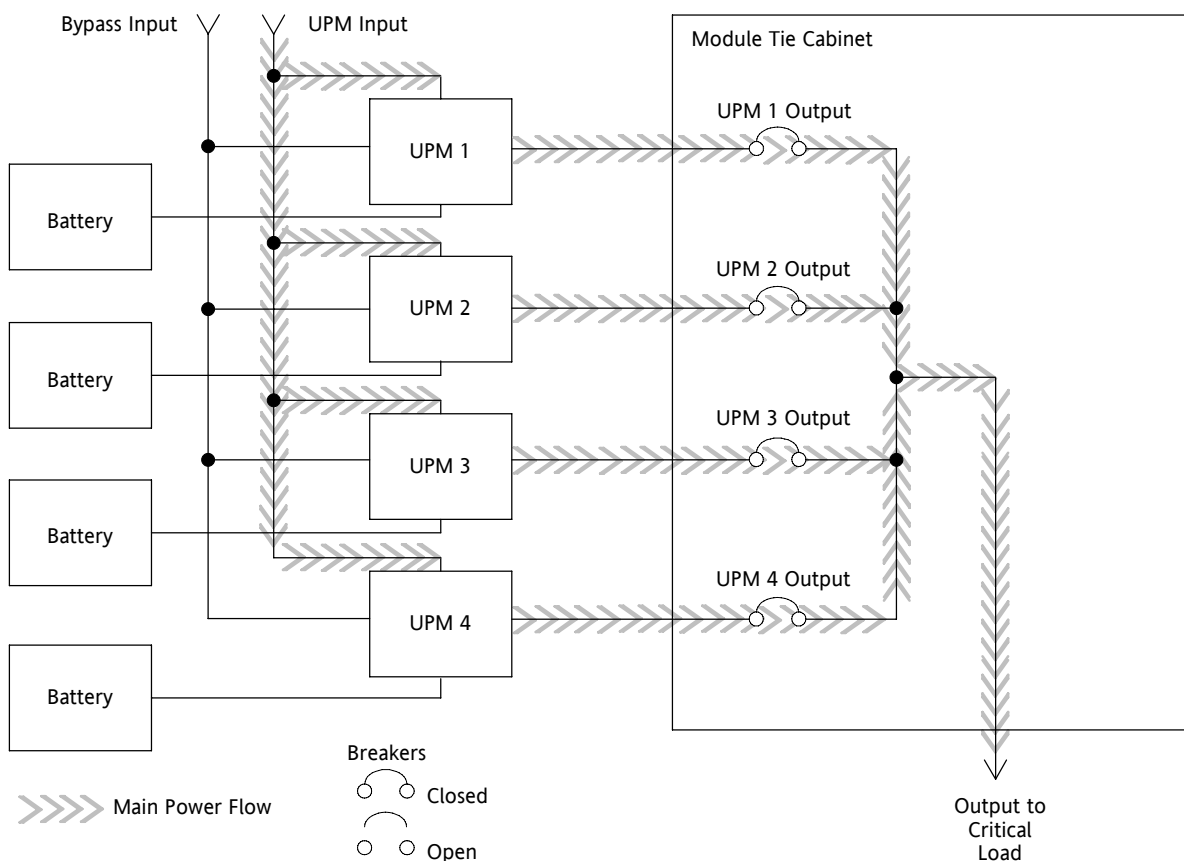
To assist in developing an understanding of the parallel system modes of operation, review and understand thoroughly the single module modes of operation.

The following paragraphs describe the differences in the three parallel system operating modes, using block diagrams to show the power flow during each mode of operation.

### 7.3.2 Normal Mode – Parallel

In Normal mode, utility AC power is supplied to the UPMs. Each UPM then conditions the incoming AC power and provides clean, regulated AC power to either a module tie cabinet or distribution panel for parallel systems up to four modules. The applied load is equally shared among the available UPMs in the system.

Figure 7-5 shows the path of electrical power through the parallel system when operating in Normal mode.



**Figure 7-5. Path of Current through the UPMs in Normal Mode – Parallel**

If the utility AC power is interrupted or is out of specification, the UPMs automatically switch to Battery mode to support the critical load without interruption. When utility power returns, the UPMs return to Normal mode.

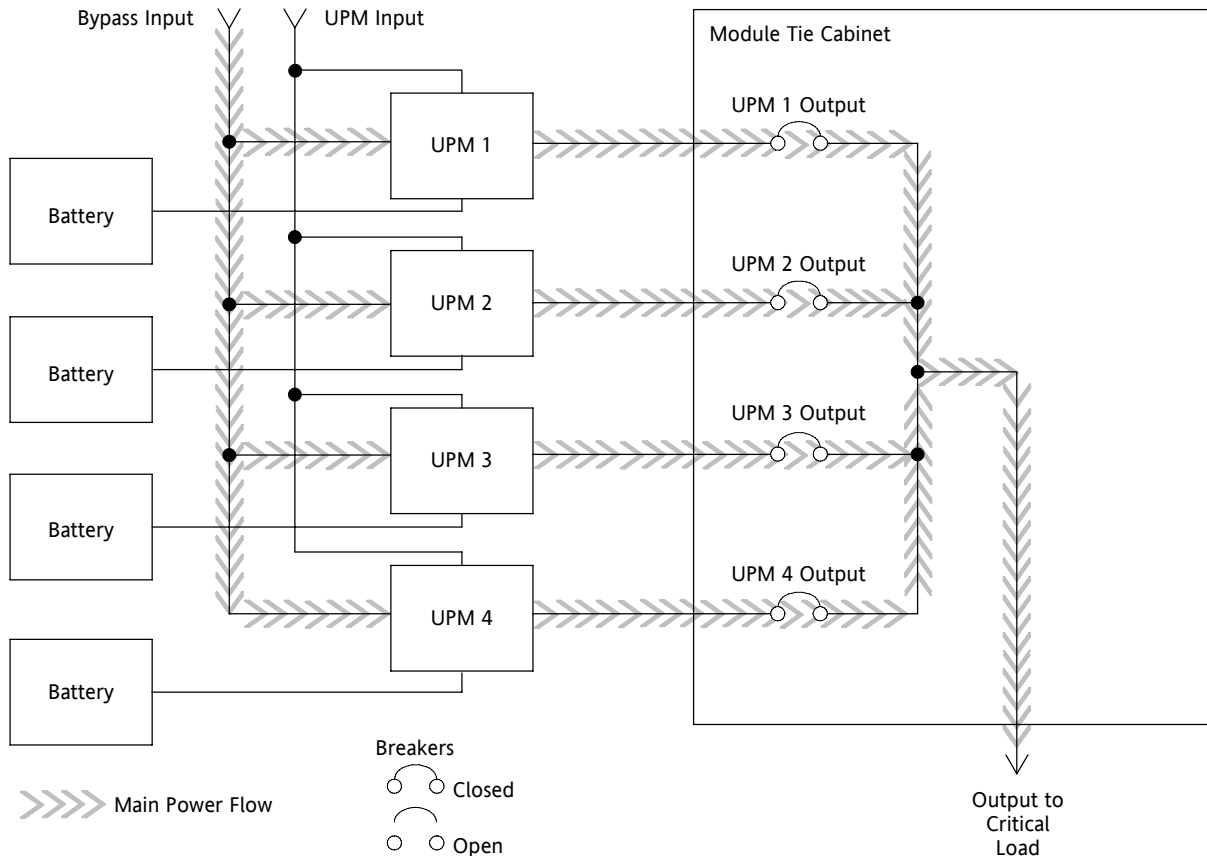
If the UPMs become overloaded or unavailable, the parallel system switches to Bypass mode. The parallel system automatically returns to Normal mode when the overload condition is cleared and system operation is restored within specified limits.

### 7.3.3 Bypass Mode – Parallel

In Bypass mode, the output of the system is provided with three-phase AC power directly from the bypass input. While in this mode, the output of the system is not protected from fluctuations, spikes, or power outages from the source. No power filtering, conditioning, or battery support is available to the output of the system in the Bypass mode of operation.

The parallel system automatically switches to Bypass mode if it detects a UPM overload, UPMs unavailable, load fault, or internal failure.

Figure 7-6 shows the path of electrical power through the parallel system when operating in Bypass mode.



**Figure 7-6. Path of Current through the UPMs in Bypass Mode – Parallel**

In a parallel redundant or capacity type system, each module operates similar to a single module, but in parallel with each other. The bypass source for the load is derived from the bypass input of one, two, three, or four modules, depending on the system configuration through the internal continuous-duty static switches. If a module is taken offline, the other modules remain online to support the load. If more modules than can support the load must be taken offline, the load must be transferred to maintenance bypass or shut down.

The parallel system can be transferred from Normal mode to Bypass mode manually. However, the parallel system automatically switches to Bypass mode whenever the UPMs can no longer supply the critical load. If the parallel system transfers to Bypass mode from Normal mode due to an output voltage deviation, the parallel system automatically attempts to return to Normal mode (up to three times within a 10-minute period). After three transfer attempts or an overload, the system locks the critical load to the bypass source and requires operator intervention to transfer.

Bypass mode is a normal operating mode, not an alarm condition. However, if the parallel system is unable to return to Normal mode following an automatic transfer to Bypass mode, an alarm condition is recorded.

Bypass may also be used when the modules in the system must be shut down to perform routine maintenance or repairs.

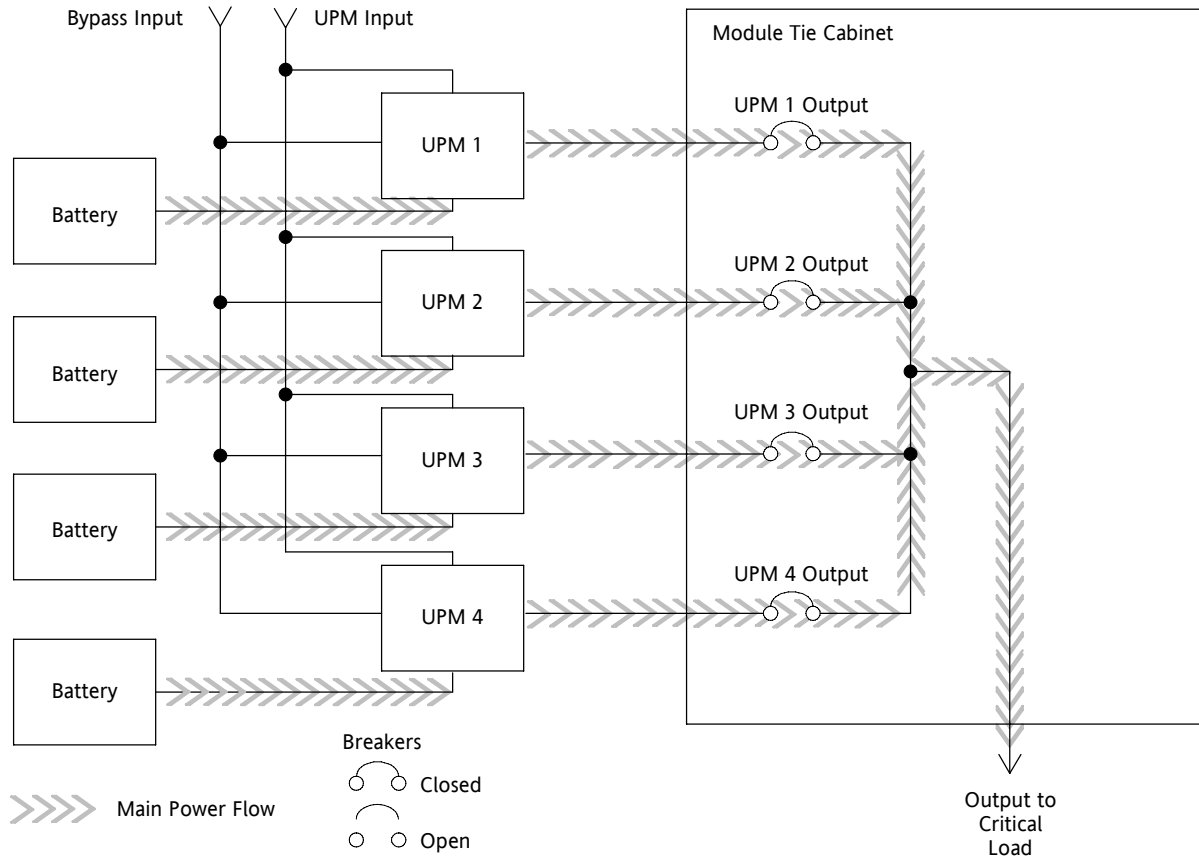
In the Parallel Redundant (N + 1) arrangement, the continuous-duty static switch in each module operates to support the applied loads on bypass. If both units are in NORMAL and one unit trips offline, the remaining unit does not go to bypass as long as it has the capacity to support the load.

In the Parallel Capacity (N + 0) arrangement, if one unit trips offline and goes to bypass, the remaining units also go to bypass.

### 7.3.4 Battery Mode – Parallel

The UPMs transfer to Battery mode automatically if a utility power outage occurs, or if the utility power does not conform to specified parameters. In Battery mode, the battery provides emergency DC power that the inverter converts to AC power.

Figure 7-7 shows the path of electrical power through the parallel system when operating in Battery mode.



**Figure 7-7. Path of Current through the UPMs in Battery Mode – Parallel**

While in Battery mode, the UPMs sound an audible horn, illuminate a visual indicator lamp on the front panel (System Normal, On Battery), and create an entry into the alarm event history. As the battery discharges, the boost converter and inverter constantly make minute adjustments maintaining a steady output. The UPMs remain in this operating mode until the input power to the rectifier is again within the specified voltage or frequency acceptance windows.

If the input power fails to return or is not within the acceptance windows required for normal operation, the battery continues discharging until a DC voltage level is reached where the inverter output can no longer support the shared loads. When this event occurs on each UPM, UPMs that are about to be shut down issue another set of audible and visual alarms that indicate a two-minute SHUTDOWN IMMINENT warning. Unless the system has a valid AC input soon, redundant UPMs begin shutting down until there are no longer enough UPMs online to support the connected load. When this event occurs, the system shuts down. If the bypass source is available, the system transfers to bypass instead of shutting down.

If at any time during the battery discharge the input power becomes available again, the rectifier begins to supply DC current to the inverter. At this point, the unit returns to Normal mode. If at any time during the battery discharge the AC input power becomes available again, each rectifier turns on, assumes the inverter load from the batteries, and begins recharging the batteries. Depending on the total load and the duration of the battery discharge, battery and rectifier input current limit alarms may be seen for a short time due to the current required to recharge the batteries.

## 7.4 Functional Description

The UPS is a true online double-conversion unit with a transformerless power train. A high-frequency active rectifier powers a high-frequency three-phase inverter. The bypass circuit uses a solid-state continuous-duty static switch. The UPS operates from battery strings from 192 cells (384V) to 240 cells (480V).

### 7.4.1 Input Rectifier

The rectifier is a three-phase, high-frequency PWM, IGBT-based power conversion stage that provides input power factor correction and low input current harmonic distortion. The rectifier maintains a DC level that is optimized for maximum inverter efficiency. A precharge system charges the energy storage elements in the power train prior to energizing the rectifier.

### 7.4.2 Inverter

The inverter is a three-phase, high-frequency PWM, IGBT-based power conversion stage that continuously supplies the critical load with high-quality AC power. The IGBTs are modulated to maintain the highest efficiency.

### 7.4.3 Battery Charger and Advanced Battery Management

The charger is a high-frequency, IGBT-based power conversion stage. The UPS uses Advanced Battery Management (ABM) technology, which essentially isolates the battery from the electrical environment, except for periodic charging or reserve mode operation, extending its life.

ABM extends battery life by keeping the batteries charged and performing periodic battery testing.

An ABM charging cycle starts with the charger driving the battery voltage, at maximum current limit, to a battery charge level of 2.34 volts/cell. The time it takes for the voltage to reach to the battery charge level is saved as the battery charge time. If the battery charge time exceeds 100 hours, an alarm sounds.

As soon as a battery charge level of 2.34 volts/cell is reached, the battery is charged at a float level of 2.31 volts/cell for 48 hours (battery float time) plus 150% of battery charge time. Twenty-four hours into the float period, a series of battery tests are performed to check the battery health. The float level charge continues after a successful test.

At initial startup, the battery run time on the front panel display indicates two minutes. After the 24-hour float charging period and battery testing, the actual battery run time is determined and the actual battery run time is displayed.

After the float period is completed, the charger is disconnected and the batteries are allowed to rest for 672 hours (28 days) maximum rest time. If the battery voltage falls below the opportunity charge level of 2.1 volts/cell during the first 240 hours of the rest period, an alarm sounds.

An ABM charge cycle is initiated whenever one of these four conditions occurs since the last charge cycle:

- ▶ The batteries have rested over the maximum rest time of 672 hours.
- ▶ Accumulated discharge time is over a maximum battery discharge time of 20 seconds.
- ▶ Battery voltage is under the opportunity charge level of 2.1 volts/cell and the unit has been in rest mode for longer than 240 hours.
- ▶ An XCP command Initiate Battery Test is received.

#### 7.4.4 Bypass

The bypass has a continuous-duty fully-rated SCR switch in the bypass circuit and a contactor in the inverter leg. In Normal mode, the contactor connects the inverter to the output. A backfeed contactor is also provided.

#### 7.4.5 Batteries

The UPS operates from battery strings from 192 cells (384V nominal) to 240 cells (480V nominal).



## Chapter 8 | Features, Options, and Accessories

### 8.1 UPS Standard Features

The UPS has many standard features that provide cost-effective and consistently reliable power protection.

#### 8.1.1 Control Panel

The control panel, located on the UPS front door, contains an LCD and pushbutton switches to control the operation of the UPS, and to display the status of the UPS system. See Chapter 9, “Using the Control Panel,” for additional information.

#### 8.1.2 Customer Interface

##### 8.1.2.1 Building Alarm Monitoring

The facility’s alarm system contacts can be connected to two inputs in the UPS. The UPS uses these inputs to monitor the building alarms in addition to the UPS status. See Chapter 11, “Using Features and Options,” for additional information.

##### 8.1.2.2 Alarm Contact

One alarm contact is provided for connection to equipment at the facility, such as a light, an audible alarm, or a computer terminal. The equipment connected to this contact alerts you to a UPS alarm. See Chapter 11, “Using Features and Options,” for additional information.

#### 8.1.3 X-Slot Communication Bay

A two-slot communication bay is standard equipment, with an additional two-slot bay available as an option with the installation of a mini-CSB. Two to four optional X-Slot cards can be installed in the UPS module at any time. See Chapter 13, “Communication,” for additional information.

#### 8.1.4 ConnectUPS-X Web/SNMP Card X-Slot Card

A ConnectUPS™-X Web/SNMP Card is provided as standard equipment and provides remote monitoring through a Web browser interface, e-mail, and a network management system (NMS) using SNMP. See Chapter 13, “Communication,” for additional information.

### 8.1.5 Advanced Battery Management

A three-stage charging system increases battery service life by optimizing recharge time, and protects batteries from damage due to high current charging and inverter ripple currents. Charging at high currents can overheat and damage batteries.

### 8.1.6 LanSafe Power Management Software

LanSafe Power Management Software is bundled as part of the Powerware Software Suite CD shipped with the UPS. See Chapter 13, “Communication,” for additional information.

### 8.1.7 Installation Features

Cabinets can be permanently bolted to the floor or left standing on leveling feet.

Power and control wiring can be routed through the top or bottom of the cabinet with connections made to easily accessible terminals. External sensing and monitoring control wire must be installed in accordance with Class 1 wiring methods. Line-up-and-match battery cabinets are wired through the side panels of the units.

Optional X-Slot connectivity cards are quickly installed at the front of the unit and are hot-pluggable.

## 8.2 Options and Accessories

Contact an Eaton sales representative for information about the following options.

### 8.2.1 Integrated Battery Cabinets

Battery backup protection can be enhanced by equipping the UPS system with up to four Powerware 9390 battery cabinets containing sealed lead-acid, maintenance-free batteries. The battery cabinets are available in small and large sizes, with 192-cell (208V units only), 216-cell, and 240-cell configurations. The cabinets are designed for line-up-and-match installation, but may be installed separate from the UPS cabinet.

### 8.2.2 Integrated Distribution Cabinet

The IDC provides adaptation and expansion with distribution panelboards, distribution circuit breakers, a maintenance bypass switch, and voltage transformation. The IDC is housed in a single, free-standing cabinet designed for line-up-and-match installation, but may be installed separate from the UPS cabinet.

### 8.2.3 Integrated Accessory Cabinet (IAC-B, IAC-T, and IAC-D)

The following IACs are designed for use with the Powerware 9390 three-phase Uninterruptible Power Systems:

- ▶ The IAC-B provides maintenance bypass functions.
- ▶ The IAC-T provides parallel tie cabinet or parallel tie cabinet with maintenance bypass functions.
- ▶ The IAC-D provides power distribution options for servers, racks, and other equipment via distribution panelboards, or distributes power to larger loads via distribution circuit breakers.

The IACs are housed in a single, free-standing cabinets designed for line-up-and-match installation, but may be installed separate from the UPS cabinet.

### 8.2.4 Powerware Hot Sync Parallel System

A parallel UPS system with two to four uninterruptible power modules can be installed to provide a parallel capacity and/or redundant system. This load sharing system provides more capacity than a single UPS, and can provide backup, depending on the load and configuration. In addition, when one UPM is taken out of service for maintenance or is not operating properly, a redundant UPM continues to supply uninterrupted power to the critical load. A Powerware Hot Sync Computer Area Network Bridge X-Slot card provides connectivity for system metering and operational mode control. The parallel system consists of two to four UPMs each with a parallel CAN card, and a module tie cabinet or load distribution panel to act as a tie point. Each UPM requires a separate battery cabinet.

### 8.2.5 Sync Control

An optional Sync Control maintains the critical load outputs of two separate single module Powerware 9390 UPS systems in synchronization. This facilitates the uninterrupted transfer of the load from one load bus to another by means of transfer switches. The Sync Control is housed in a wall-mounted panel that can be located between the UPS units for easy wiring.

### 8.2.6 Optional X-Slot Cards

The optional X-Slot cards support several protocols, such as SNMP, HTTP, AS/400®, and Modbus®. See Chapter 13, “Communication,” for additional information.

### 8.2.7 Mini-CSB

The installation of the mini-CSB provides two additional X-Slot bays, increased logging to 512 events, five additional programmable languages, a real-time clock, four additional building alarms, and enhanced alarm contact programming.

## 8.2.8 Remote Monitor Panel II

An optional RMP II contains backlit status indicators and a local horn, allowing you to monitor the operational status and alarm condition of the UPS from virtually any location within your facility. This option is described further in Chapter 11, “Using Features and Options.”

## 8.2.9 Relay Interface Module II

An optional RIM II uses relay contact closures to indicate the operating status and alarm condition of the UPS. This option is described further in Chapter 11, “Using Features and Options.”

## 8.2.10 Supervisory Contact Module II

An optional SCM II establishes an interface between the UPS system equipment and the customer’s monitor. This option is described further in Chapter 11, “Using Features and Options.”

## 8.3 Symbols, Controls, and Indicators

The following are examples of symbols used on the UPS or accessories to alert you to important information:



**RISK OF ELECTRIC SHOCK** - Indicates that a risk of electric shock is present and the associated warning should be observed.



**CAUTION: REFER TO OPERATOR’S MANUAL** - Refer to your operator’s manual for additional information, such as important operating and maintenance instructions.



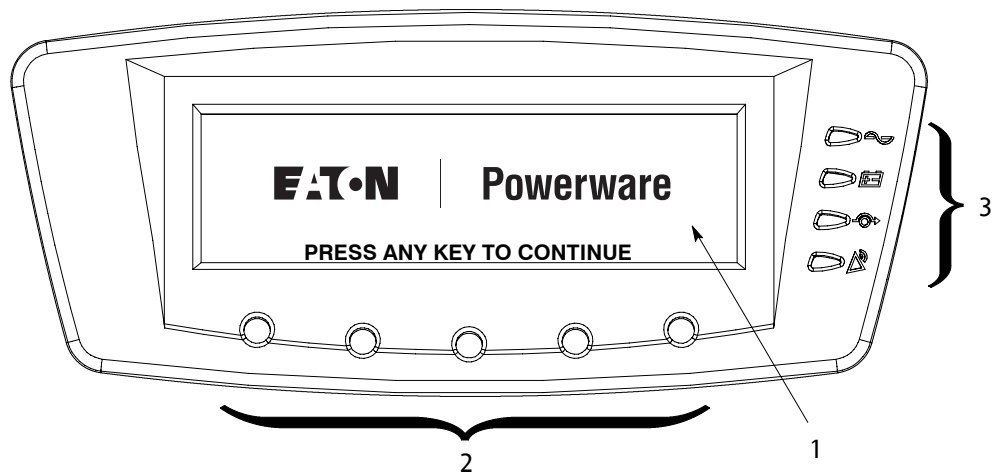
This symbol indicates that you should not discard the UPS or the UPS batteries in the trash. This product contains sealed, lead-acid batteries and must be disposed of properly. For more information, contact your local recycling/reuse or hazardous waste center.



This symbol indicates that you should not discard waste electrical or electronic equipment (WEEE) in the trash. For proper disposal, contact your local recycling/reuse or hazardous waste center.

## Chapter 9 | Using the Control Panel

This chapter describes the UPS control panel, including controls and indicators, and how to monitor UPS operation. The control panel (see Figure 9-1) is located on the front door of the UPS.



**Figure 9-1. UPS Control Panel**

The control panel consists of the following:

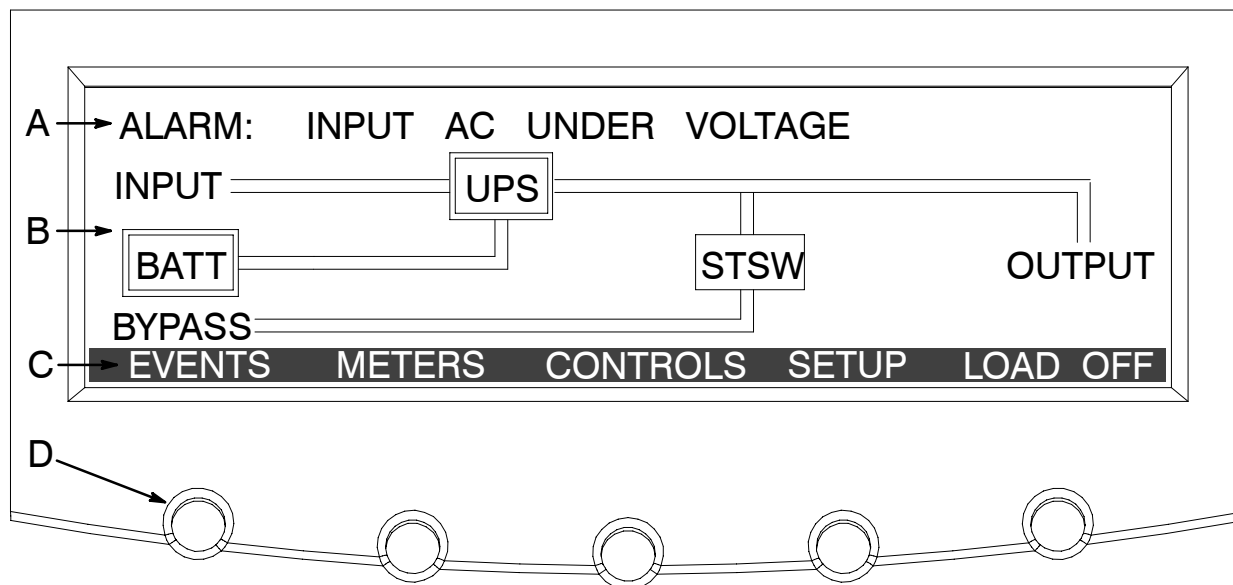
- ▶ A liquid crystal display (LCD) (1)
- ▶ A horizontal row of pushbutton switches (2)
- ▶ A vertical column of status indicators (3)

The following paragraphs describe using the UPS control panel to monitor the UPS. See Chapter 10, “UPS Operating Instructions,” for use of the operational controls.

When the unit powers up, the screen displays the Eaton | Powerware logo as shown in Figure 9-1. To advance to the Main Menu and Mimic screen, press any control panel pushbutton once.

## 9.1 Using the LCD and Pushbuttons

The LCD on the control panel provides an operator interface with the UPS system. Figure 9-2 identifies the display areas discussed in the following sections.



**Figure 9-2. Parts of the LCD**

- A** The *UPS status* area automatically scrolls between the Powerware model number, current date and time, active alarms, active notices, and load percent and battery runtime for the UPS. Shown is a typical alarm message. For more information about alarms and notices, see Chapter 12, “Responding to System Events.”
- B** The *information area* contains data about UPS status and operations.
- C** The *menu bar* lists the titles of the available screens. To select a screen, press the pushbutton underneath the desired screen.
- D** The *navigation pushbuttons* function depending on the screen displayed. Use the pushbuttons to select menu screens or scroll through available screens. The LCD options above the pushbuttons indicate each pushbutton’s function.

You can use the LCD and the pushbuttons to:

- ▶ Look at a log of UPS events (alarms, notices, and commands) (see paragraph 9.2.2)
- ▶ Monitor UPS operation (see paragraph 9.2.3)
- ▶ Set UPS parameters (see paragraphs 9.2.8 and 9.2.9)
- ▶ Control UPS operation (see paragraph 9.3)

After approximately 30 minutes, the display screen darkens. To restore the screen, press any pushbutton once.

## 9.2 Using the Main Menu

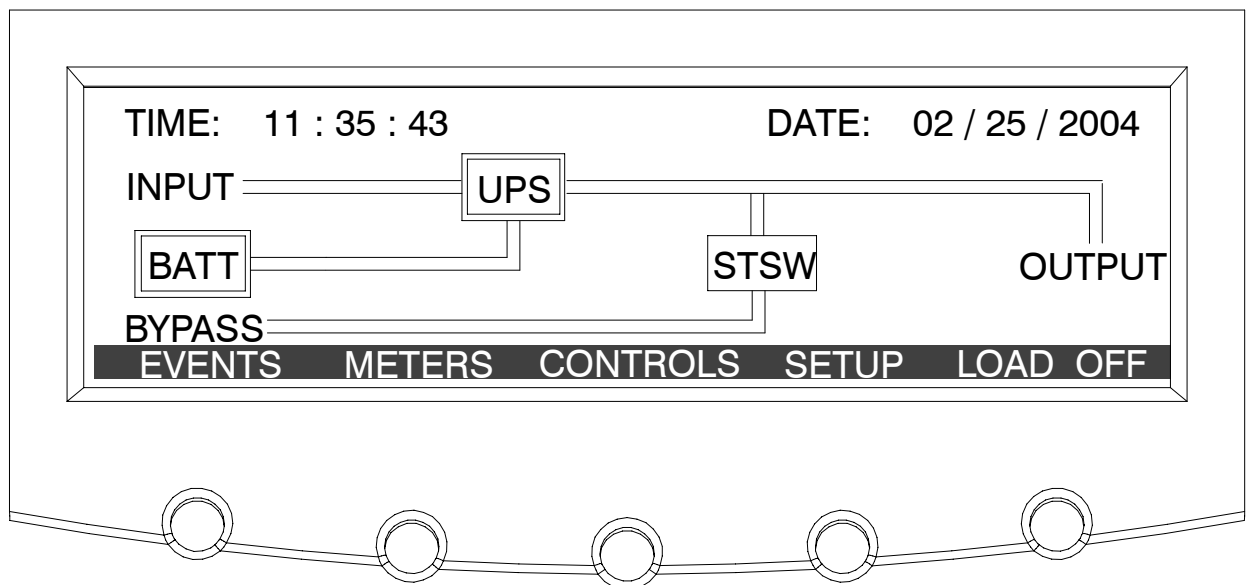
The UPS main menu bar allows you to display data in the information area to help you monitor and control UPS operation. The following menus and options are available:

Menu Option	Description
EVENTS	Displays the list of Active System Events and a historical log of system events.
METERS	Displays performance meters for the system or critical load.
CONTROLS	Displays the System Controls screen.
SETUP	Allows you to set the display contrast, set the date and time for the time stamp, configure the UPS serial communication ports, and view the firmware version numbers.
LOAD OFF	De-energizes the critical load and powers down the UPS.
←	Returns to Main Menu and Mimic screen from the Events, Meters, Controls, or Setup screens. Returns to the main System Setup Level screen from a setup submenu.

### 9.2.1 Mimic Screen

Figure 9-3 shows the Main Menu and Mimic screen. To select the Mimic screen from the Events, Meters, Controls, or Setup screens, press the ← pushbutton on the current menu bar.

The Mimic screen shows the internal components of the UPS cabinet and a real-time graphical representation of the operating status of the system.



**Figure 9-3. Main Menu and Mimic Screen (Normal Mode)**

## 9.2.2 Event Screens

Press the **EVENTS** pushbutton on the main menu bar or History Menu bar to display a listing of all system events that are currently active. The most recent event is listed first. As events clear, they are removed from the Active System Events listing. Figure 9-4 shows the Active Events screen.

To scroll through the events, press the **↑** or **↓** pushbuttons on the menu bar.

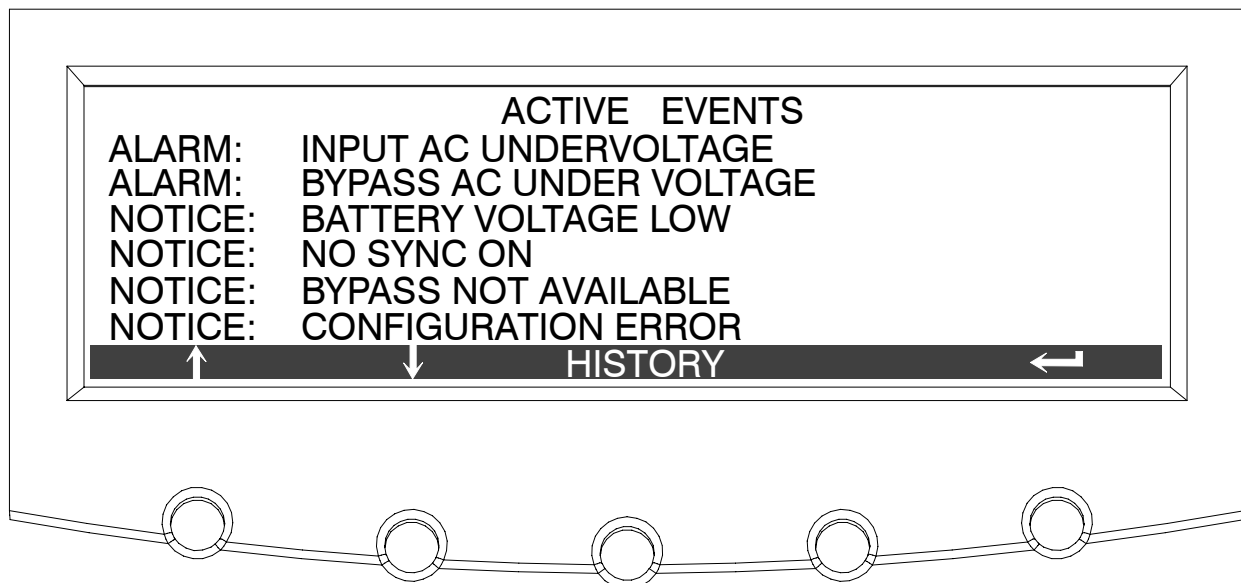


Figure 9-4. Active Events Screen

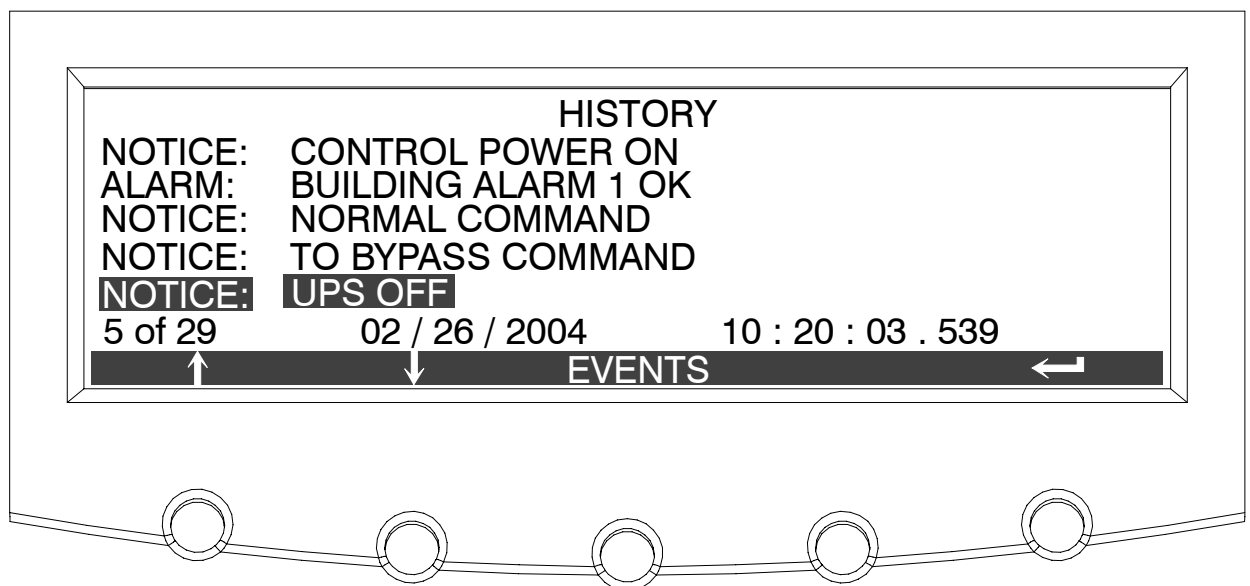


Press the **HISTORY** pushbutton on the Active Events Menu bar to display the History Log. The History Log lists up to the 500 system events in chronological order, with the most recent event listed last (once 500 is reached, the earliest event is overwritten). The History Log lists the events in the following groups:

- ▶ User and service status
- ▶ User instruction
- ▶ User alarm
- ▶ Check UPS
- ▶ Schedule service
- ▶ UPS shutdown
- ▶ Service alarm

The end of the log (the most recent events) appears when you display the screen, and you must scroll upward to view older event listings. Figure 9-5 shows the History screen.

To scroll through the events, press the **↑** or **↓** pushbuttons on the menu bar. To return to the Active Events screen, press the **EVENTS** pushbutton on the menu bar.



**Figure 9-5. History Screen**

### 9.2.3 Unit Meter Screens

The Unit Meter screens show the UPS meter readings for the unit (or units, if a parallel system is installed). The default voltage displayed on these screens is phase-to-neutral. However, an authorized Eaton Customer Service Engineer can change the screens to display the voltage phase-to-phase (A-B, B-C, C-A).

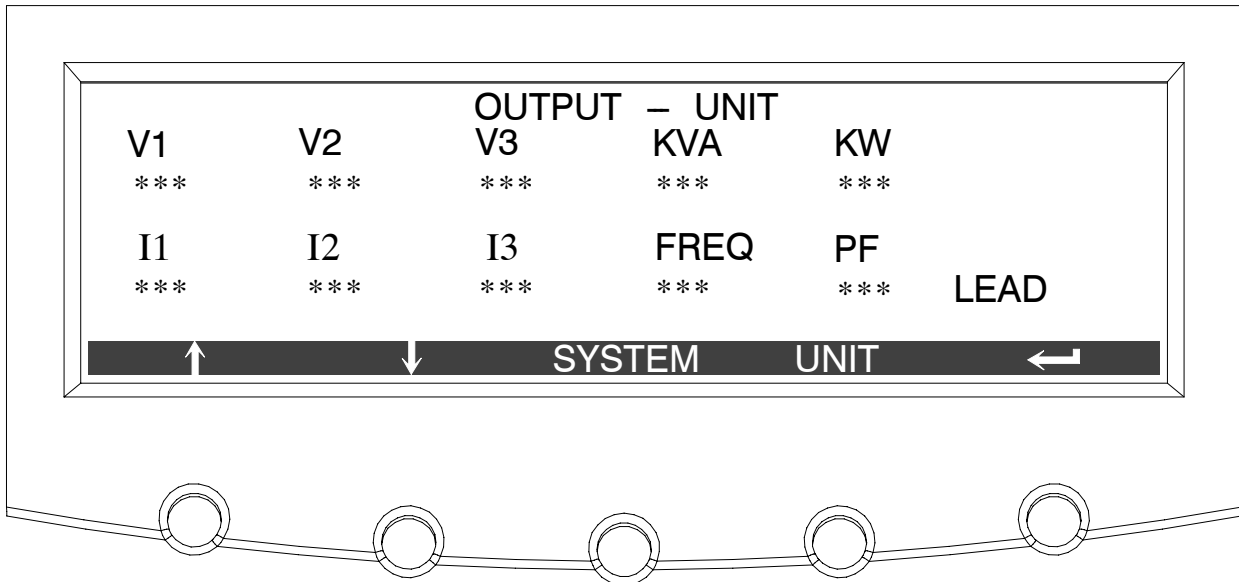
Press the **METERS** pushbutton on the main menu bar to display the Unit Meter screens. Figure 9-6 through Figure 9-10 show the Unit Meter screens.

To scroll through the meter screens, press the **↑** or **↓** pushbuttons on the menu bar. The current UPS readings are displayed in the information area of the screen.



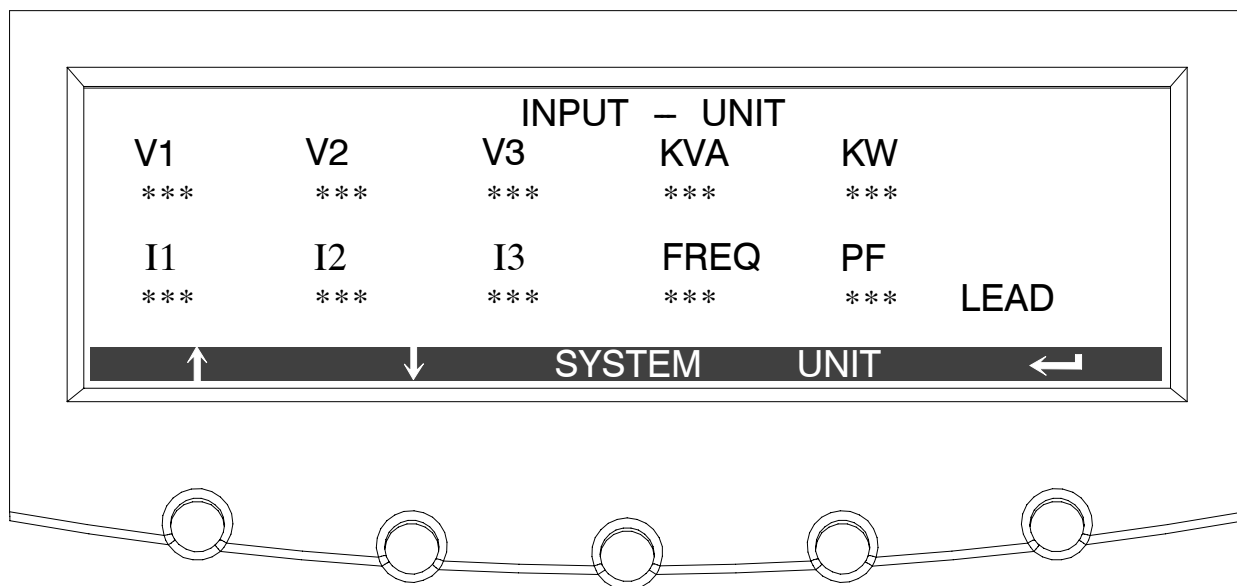
**NOTE** *The UNIT designation after the meter type, and the SYSTEM and UNIT menu bar pushbutton selections, are visible only when a parallel system is installed.*

The Output screen shows output voltage (phase-to-neutral), output current (each phase), and frequency being supplied by the UPS, as well as the kVA, kW, and power factor measurements.



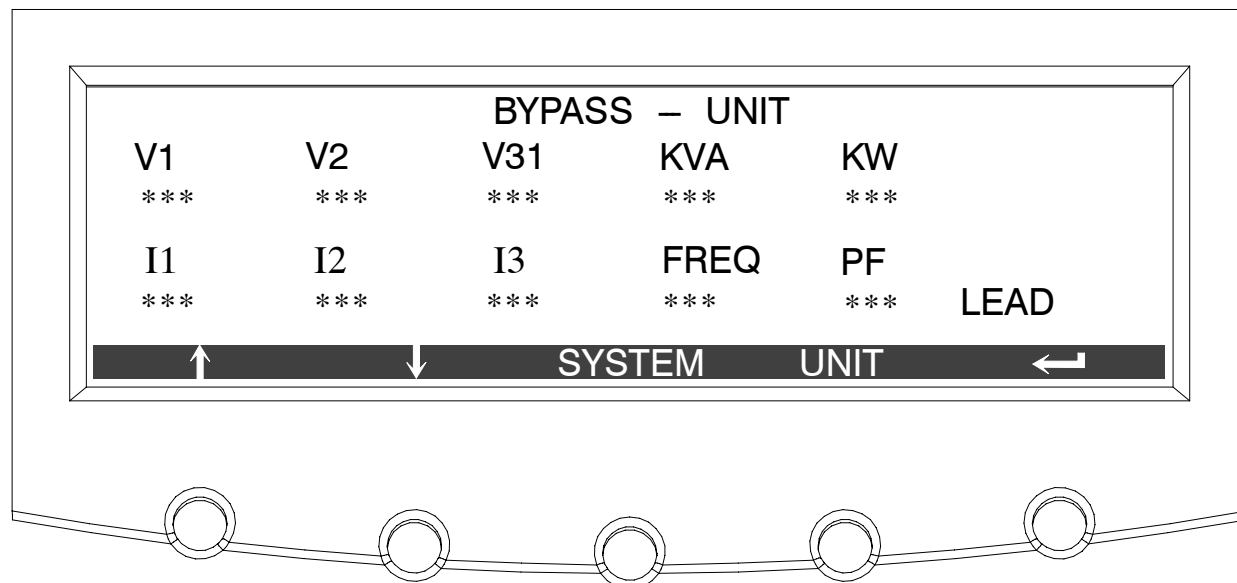
**Figure 9-6. Unit Output Meter Screen**

The Input screen shows input voltage (phase-to-neutral), input current (each phase), and frequency of the incoming utility source, as well as the kVA, kW, and power factor measurements.



**Figure 9-7. Unit Input Meter Screen**

The Bypass screen shows the bypass input voltage (phase-to-neutral), input current (each phase), and frequency of the incoming utility source, as well as the kVA, kW, and power factor measurements.



**Figure 9-8. Unit Bypass Meter Screen**

The Battery screen displays the battery voltage (Vdc), the battery current (Idc), the minutes of battery time remaining, and battery temperature. Battery temperature must be set up by an authorized Eaton Customer Service Engineer. When battery life decreases to less than 20%, Check Battery is displayed.

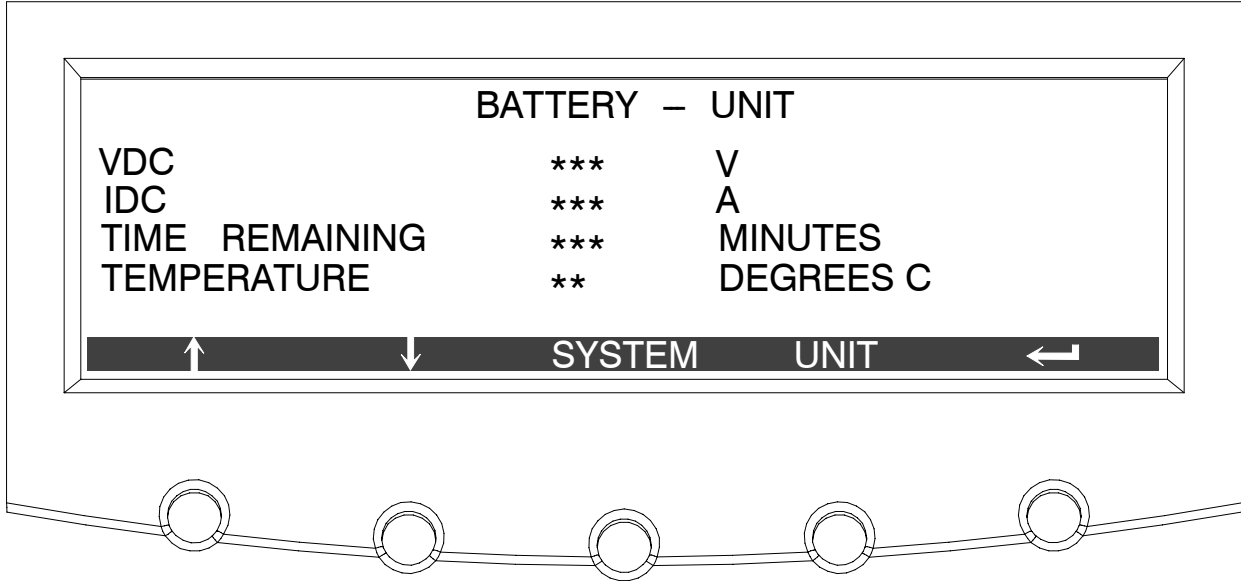


Figure 9-9. Unit Battery Meter Screen

The Output Current Screen displays a real-time bar graph of the output current of the UPS. The graph shows the current for each phase.

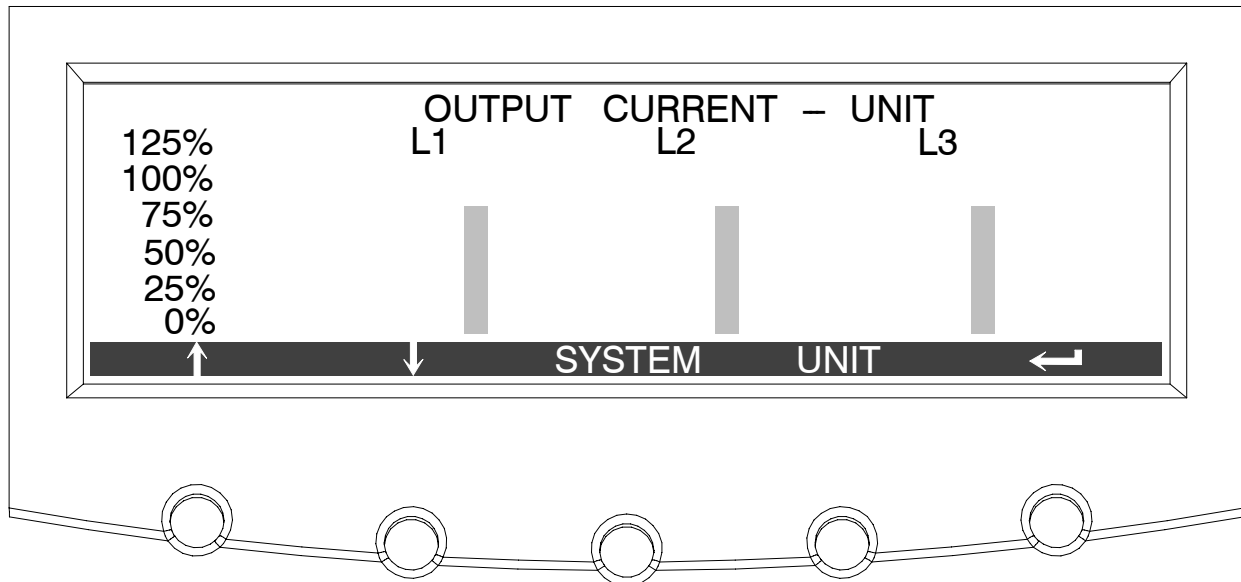


Figure 9-10. Unit Output Current (Load) Meter Screen

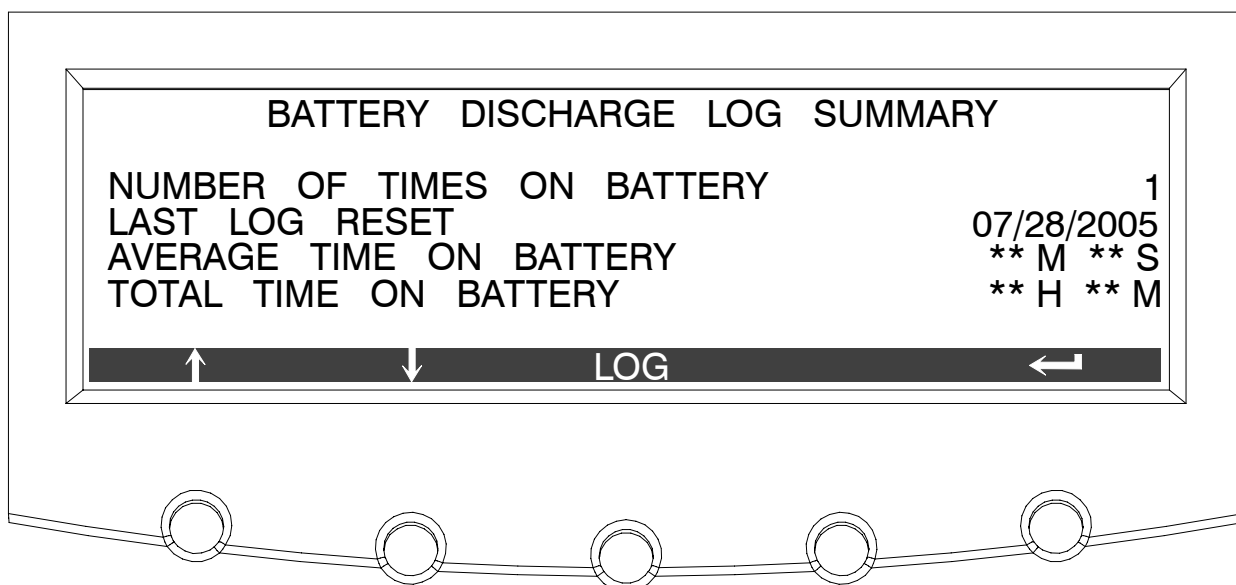
## 9.2.4 Battery Discharge Log

Press the **METERS** pushbutton on the main menu bar to display the Unit Meter screens. Scroll through the meter screens using the **↑** or **↓** pushbuttons on the menu bar until the Battery Discharge Log Summary screen is displayed.



**NOTE** *The Battery Discharge Log is available only when the mini-CSB is installed.*

The battery discharge log collects information when the unit is on battery. The Battery Discharge Log Summary screen displays the total number of times since the last log reset that the unit has transferred to battery. It also displays the date of the last log reset, the average time spent on battery per event, and the total time on battery since the last reset. Figure 9-11 shows the Battery Discharge Log Summary screen.



**Figure 9-11. Battery Discharge Log Summary Screen**

Press the **LOG** pushbutton on the Battery Discharge Log Summary Menu bar to display the Battery Discharge Log screen.

The Battery Discharge Log screen displays the individual log entries including the date and time of the event, how long it was on battery, the unit load when the event occurred, and the end voltage of the battery for that discharge period. If no events have occurred, the screen will display LOG EMPTY. Figure 9-12 shows the Battery Discharge Log screen.

To scroll through the individual events, press the **↑** or **↓** pushbuttons on the menu bar. To return to the Battery Discharge Log Summary screen, press the **SUMMARY** pushbutton on the menu bar.

To clear the Battery Discharge Log, press the **RESET** pushbutton on the menu bar.

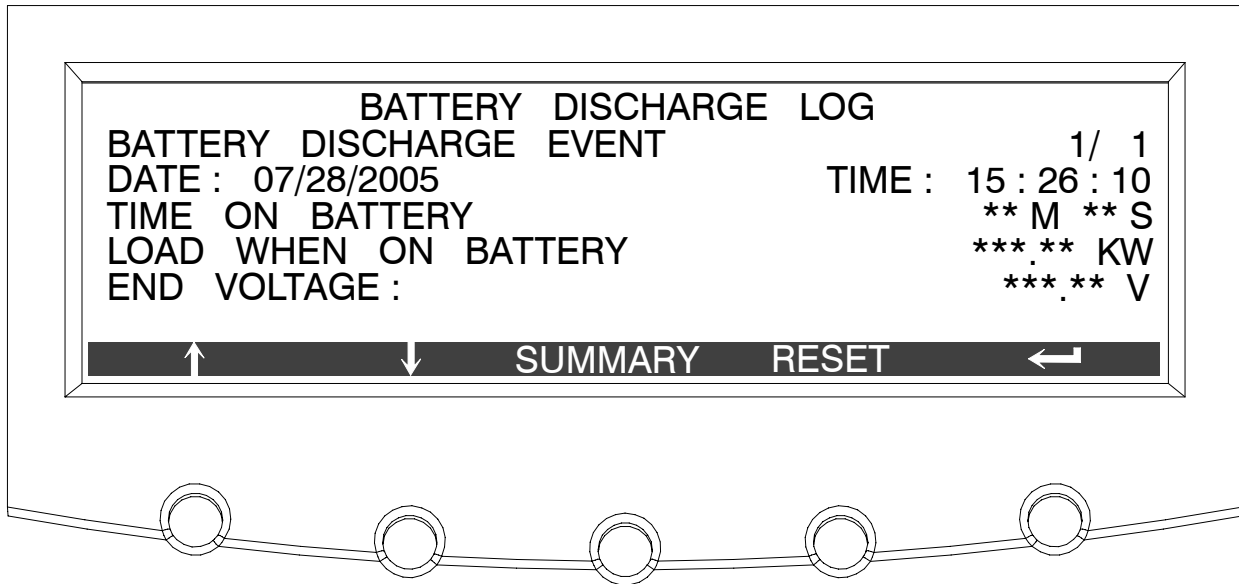


Figure 9-12. Battery Discharge Log Screen

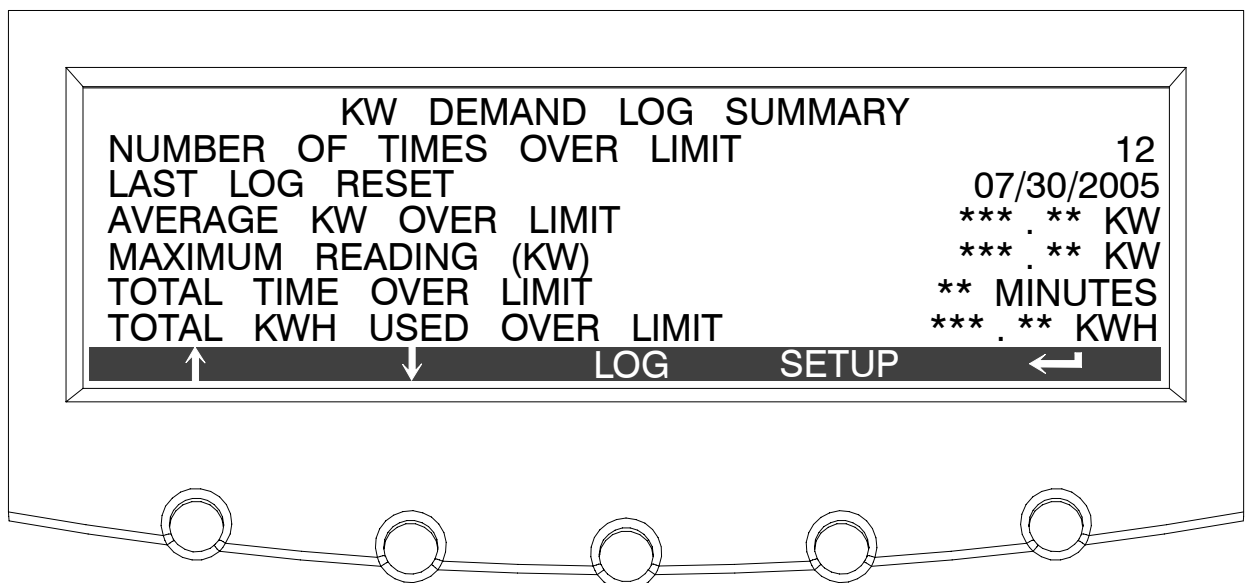
## 9.2.5 KW Demand Log

Press the **METERS** pushbutton on the main menu bar to display the Unit Meter screens. Scroll through the meter screens using the **↑** or **↓** pushbuttons on the menu bar until the KW Demand Log Summary screen is displayed.



**NOTE** *The KW Demand Log is available only when the mini-CSB is installed.*

The KW demand log collects information on events where the unit load exceeds a user-defined KW limit within a user-defined time interval. The user can choose a time period up to 9999 minutes and a load limit up to 9999 KW. If the limit is exceeded within a given time period a log event is created. The KW Demand Log Summary screen displays the number of total times the limit has been exceeded since the last log reset, the date of the last log reset, the maximum KW reading, and the total time over the limit. It also displays the average KW over the limit and an estimated number of KWH used over the limit. Both of these values are calculated using the difference between the actual measurement reading and the user-defined limit level. For example, during a 60-minute interval if the limit is set at 10 KW and the measurement is a constant 15 KW for the entire period, the average KW over would be 5 KW and the total KWH used over the limit would be 5 KWH. Figure 9-13 shows the KW Demand Log Summary screen.



**Figure 9-13. KW Demand Log Summary Screen**

Press the **LOG** pushbutton on the KW Demand Log Summary Menu bar to display the KW Demand Log screen.

The KW Demand Log screen displays the individual log entries, including the interval date and time frame, the maximum reading during the interval, the total time over limit during the interval, an estimated number of total KWH used during the interval, and the number of times over limit during the interval. If no events have occurred, the screen displays LOG EMPTY. Figure 9-14 shows the KW Demand Log screen.

To scroll through the individual events, press the **↑** or **↓** pushbuttons on the menu bar. To return to the KW Demand Log Summary screen, press the **SUMMARY** pushbutton on the menu bar.

To clear the KW Demand Log, press the **RESET** pushbutton on the menu bar.

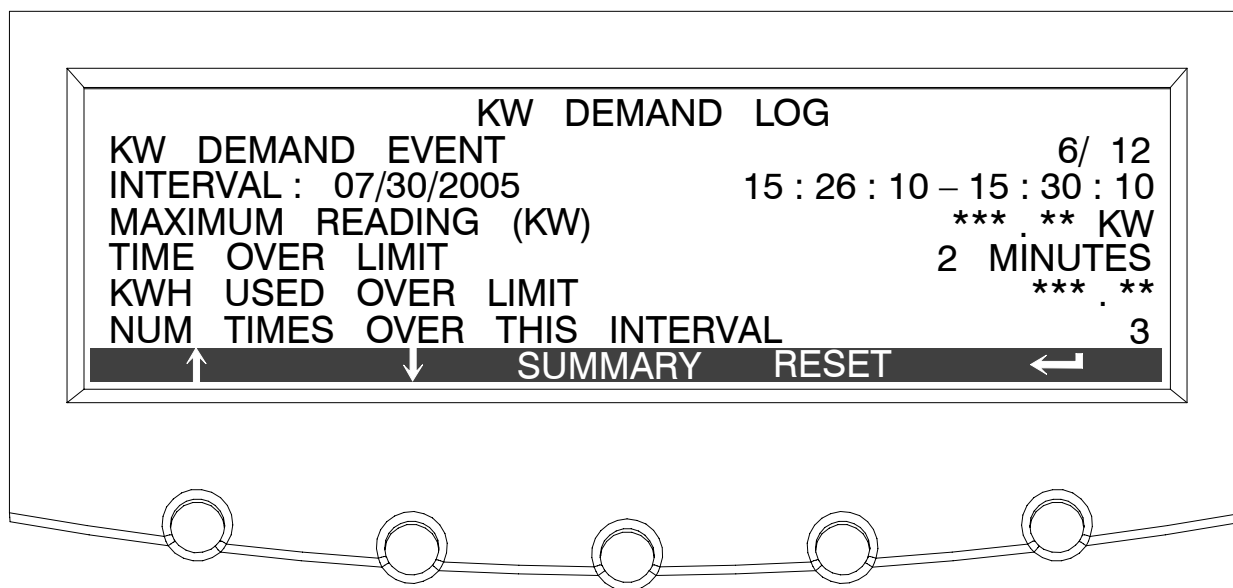
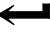


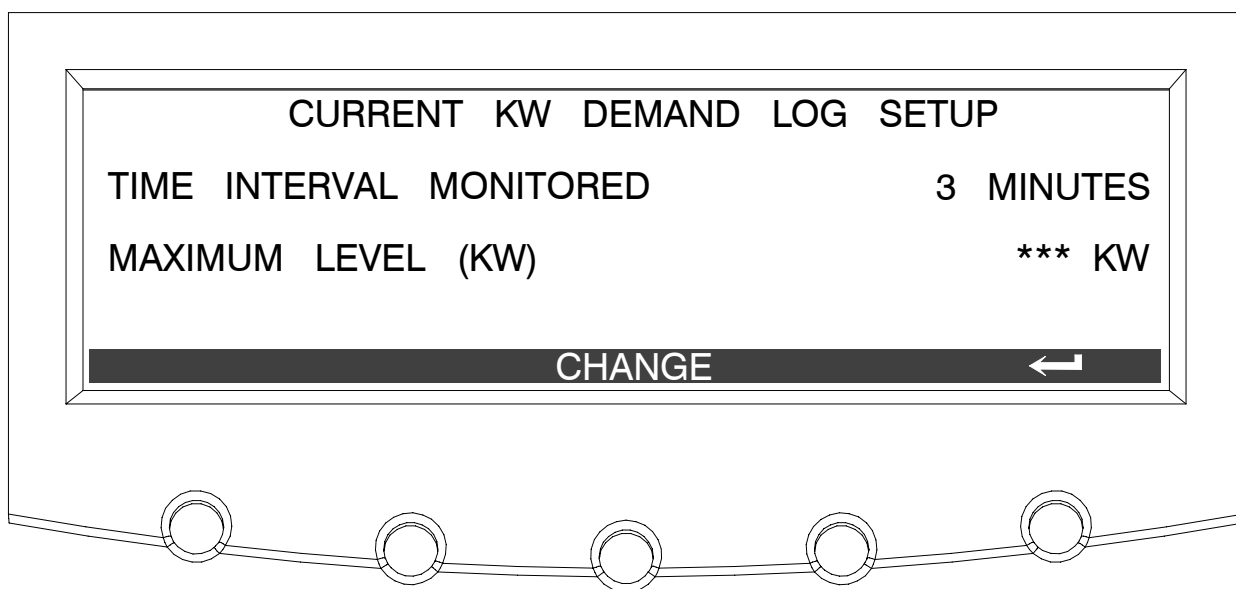
Figure 9-14. KW Demand Log Screen



Press the **SETUP** pushbutton on the KW Demand Log Summary Menu bar to display the Current KW Demand Log Setup screen 1.

The Current KW Demand Log Setup screen 1 displays the current user-defined log settings. If no log settings are configured, the screen will display KW LOG DISABLED. Figure 9-15 shows the Current KW Demand Log Setup screen 1.

To return to the KW Demand Log Summary screen, press the  pushbutton on the menu bar.



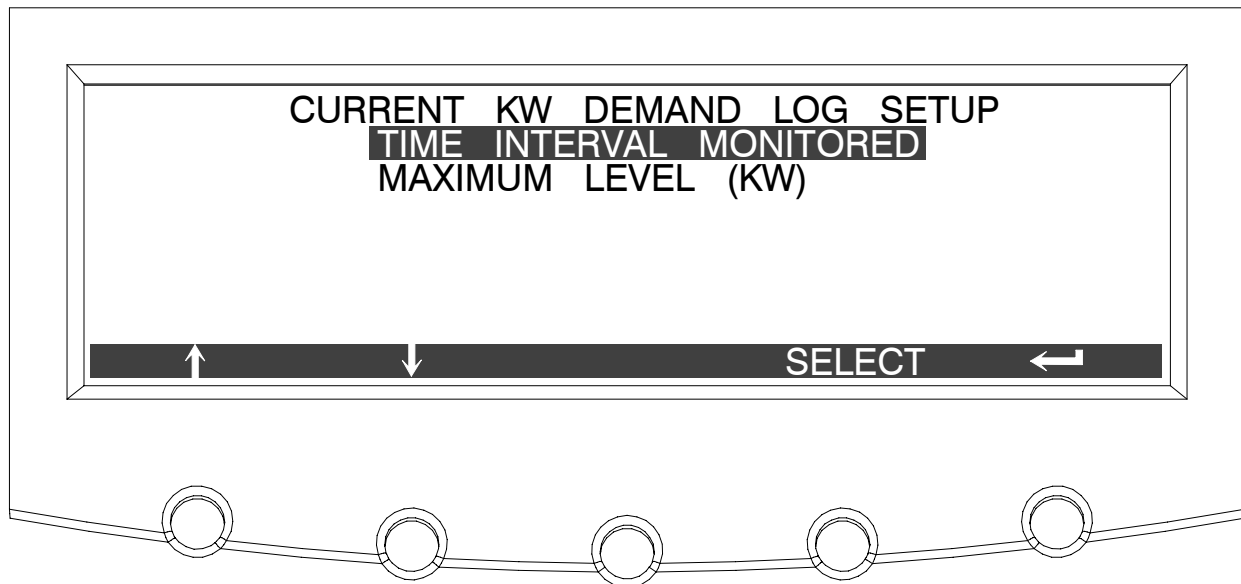
**Figure 9-15. Current KW Demand Log Setup Screen 1**

Press the **CHANGE** pushbutton on the Current KW Demand Log Setup Menu bar to display the Current KW Demand Log Setup screen 2.

The Current KW Demand Log Setup screen can be used to set up or change the time interval and maximum level log settings. Figure 9-16 shows the Current KW Demand Log Setup screen 2.

Use the **↑** or **↓** pushbuttons to highlight the setup function screen desired, then press the **SELECT** pushbutton to display the function screen.

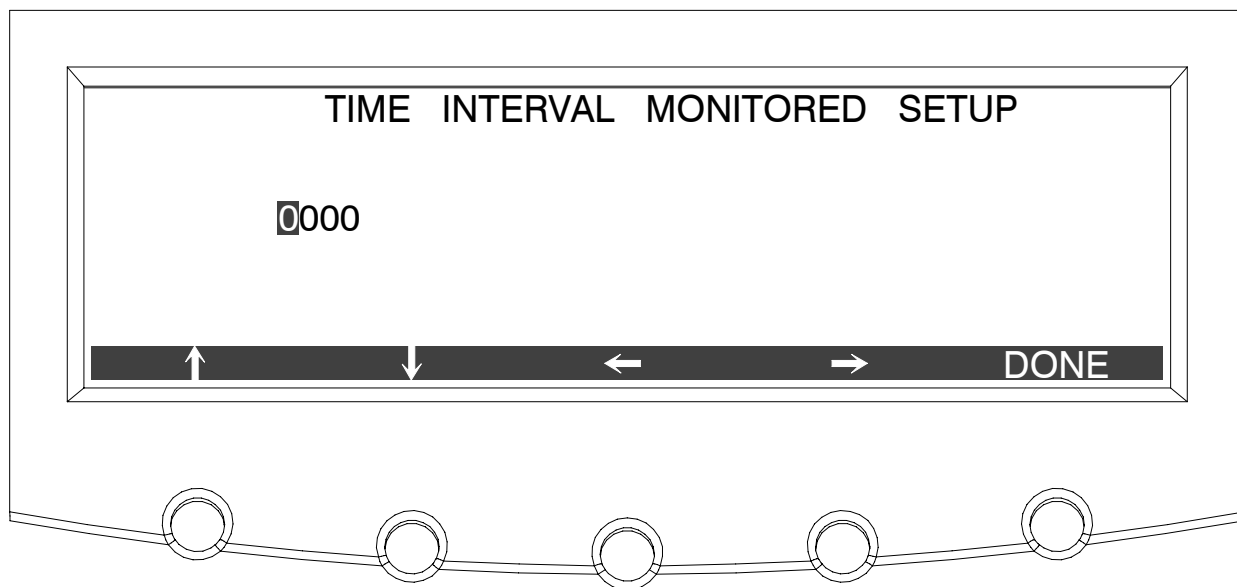
To return to the Current KW Demand Log Setup screen 1, press the **←** pushbutton on the menu bar.



**Figure 9-16. Current KW Demand Log Setup Screen 2**

Select **TIME INTERVAL MONITORED** from the Current KW Demand Log Setup screen 2 menu to display the Time Interval Monitored Setup screen. The Time Interval Monitored Setup screen allows the time duration of the event being monitored to be changed. Figure 9-17 shows the Time Interval Monitored Setup screen.

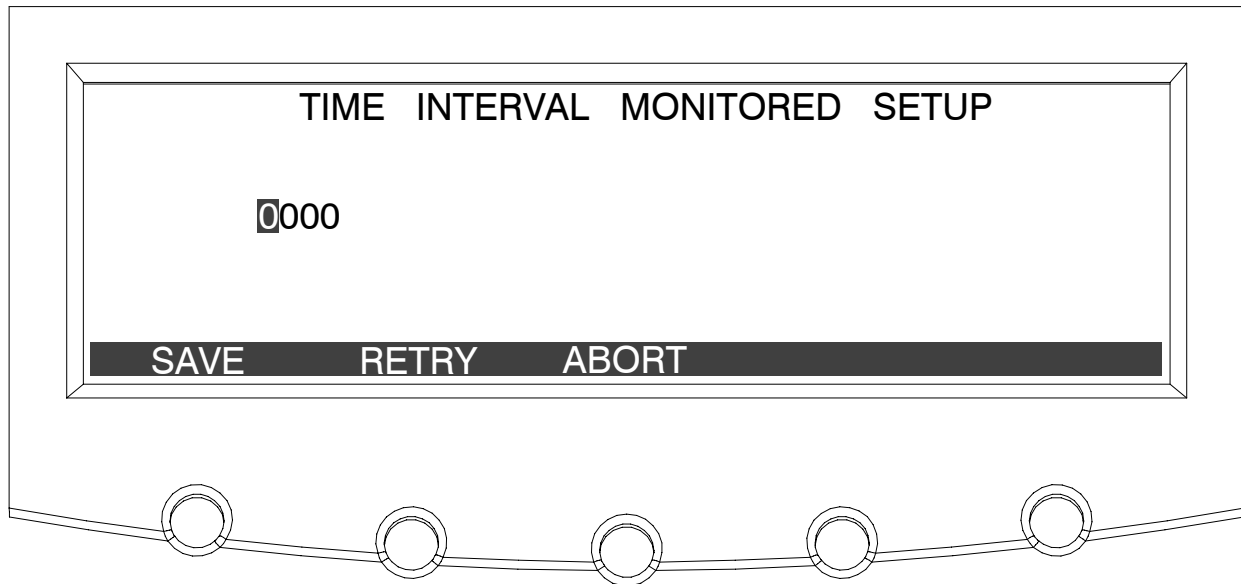
Use the ← or → pushbuttons to select the character position. Use the ↑ or ↓ pushbuttons to change the character value. Once the new value is entered, press the **DONE** pushbutton. The Time Interval Monitored Setup Save screen is displayed.



**Figure 9-17. Time Interval Monitored Setup Screen**

The Time Interval Monitored Setup Save screen lets you save the new time interval, retry another time interval, or abort the change. Figure 9-18 shows the Time Interval Monitored Setup Save screen.

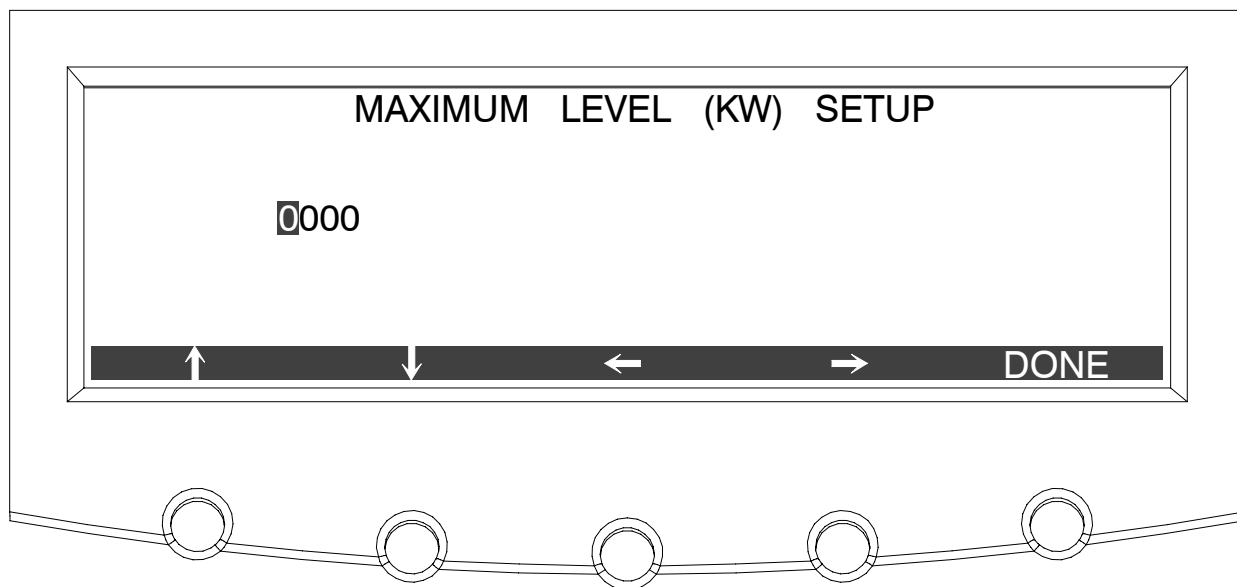
Press **SAVE**, **RETRY**, or **ABORT**. If SAVE or ABORT is pressed, the action is completed, and the Current KW Demand Log Setup screen 2 displays. If RETRY is pressed, the Time Interval Monitored Setup screen is redisplayed.



**Figure 9-18. Time Interval Monitored Setup Save Screen**

Select **MAXIMUM LEVEL (KW)** from the Current KW Demand Log Setup screen 2 menu to display the Maximum Level (KW) Setup screen. The Maximum Level (KW) Setup screen allows the KW limit of the event being monitored to be changed. Figure 9-19 shows the Maximum Level (KW) Setup screen.

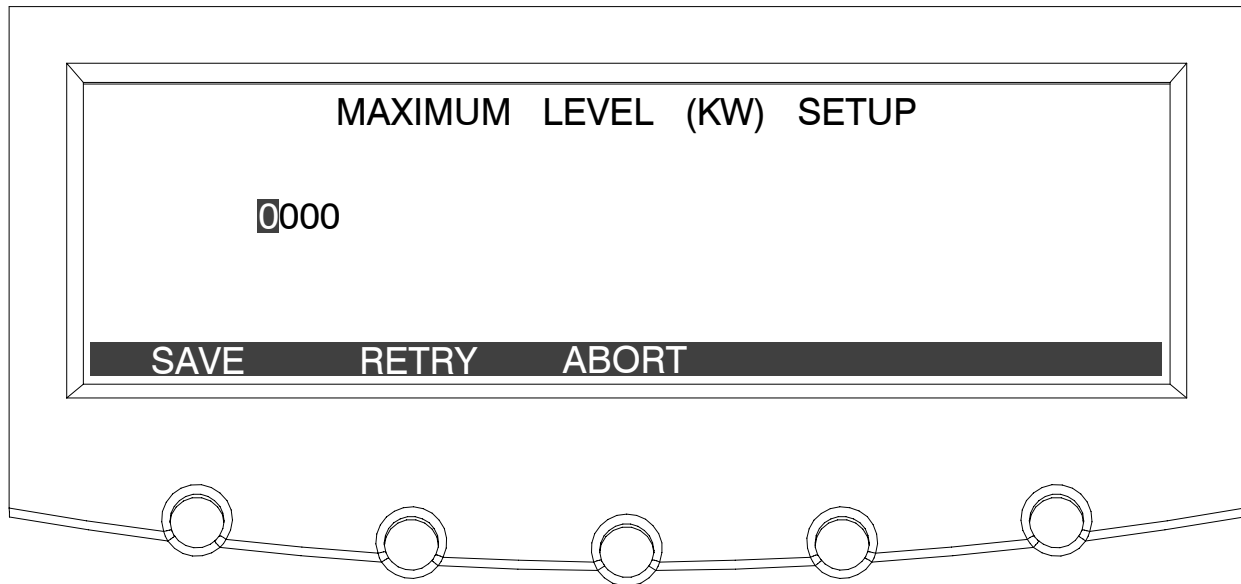
Use the ← or → pushbuttons to select the character position. Use the ↑ or ↓ pushbuttons to change the character value. Once the new value is entered, press the **DONE** pushbutton. The Maximum Level (KW) Setup Save screen is displayed.



**Figure 9-19. Maximum Level (KW) Setup Screen**

The Maximum Level (KW) Setup Save screen lets you save the new KW limit, retry another KW limit, or abort the change. Figure 9-20 shows the Maximum Level (KW) Setup Save screen.

Press **SAVE**, **RETRY**, or **ABORT**. If SAVE or ABORT is pressed, the action is completed, and the Current KW Demand Log Setup screen 2 displays. If RETRY is pressed, the Maximum Level (KW) Setup screen is redisplayed.



**Figure 9-20. Maximum Level (KW) Setup Save Screen**

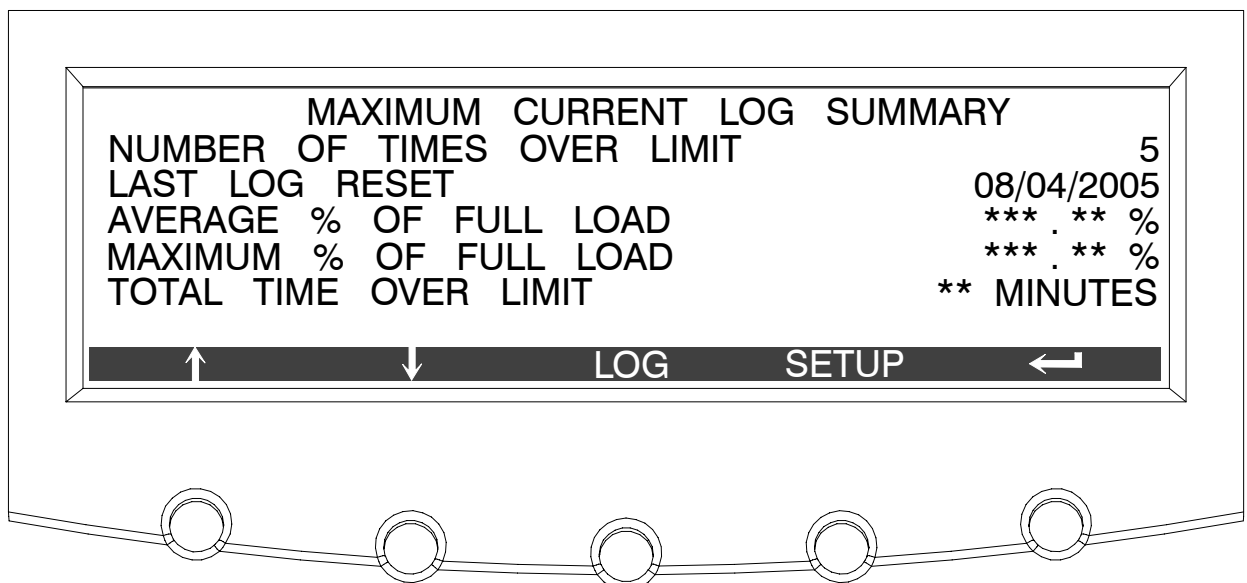
## 9.2.6 Maximum Current Log

Press the **METERS** pushbutton on the main menu bar to display the Unit Meter screens. Scroll through the meter screens using the **↑** or **↓** pushbuttons on the menu bar until the Maximum Current Log Summary screen is displayed.



**NOTE** *The Maximum Current Log is available only when the mini-CSB is installed.*

The maximum current log collects information on events where the unit load exceeds a user-defined current limit within a user-defined time interval. The user can choose a time period up to 9999 minutes and a load limit up to 100%. The user can also select whether the limit defined is a three-phase average of the individual phase currents or is a limit defined for each phase individually. In the first case an event is logged if the average across the phases exceeds the defined limit within a given time period and in the second case an event is logged if any individual phase exceeds the defined limit within a given time period. The Maximum Current Log Summary screen displays the number of times the limit has been exceeded, the date of the last log reset, the maximum percent of full load, and the total time over the limit. It also displays the average percent load over the limit. This measurement differs, depending on whether a three-phase average or an individual phase measurement is selected. Figure 9-21 shows the Maximum Current Log Summary screen.



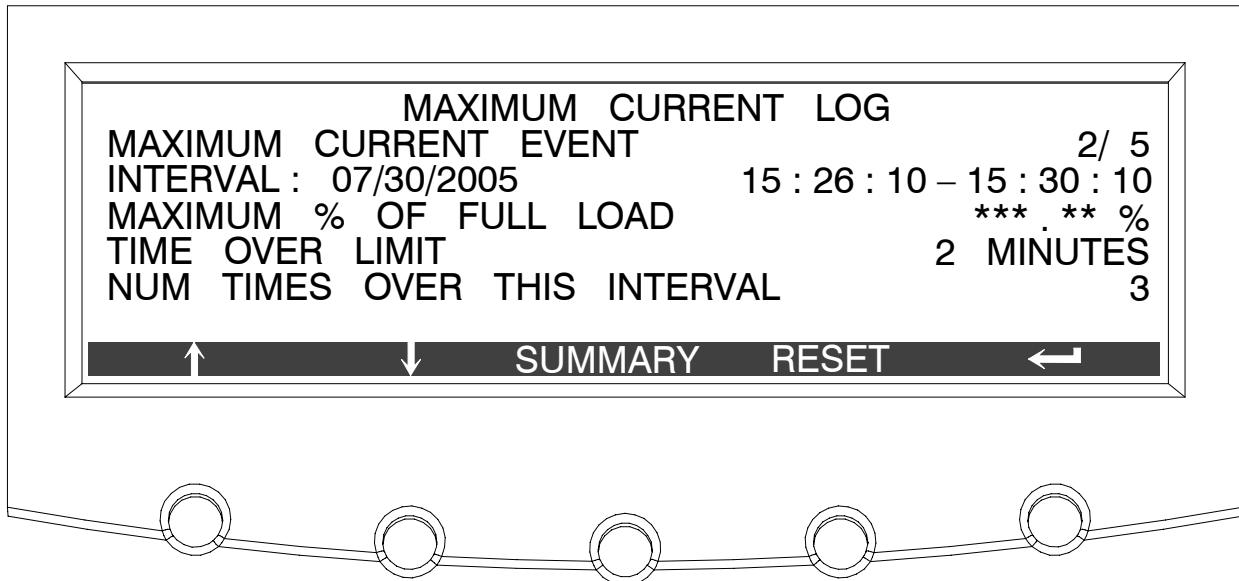
**Figure 9-21. Maximum Current Log Summary Screen**

Press the **LOG** pushbutton on the Maximum Current Log Summary Menu bar to display the Maximum Current Log screen.

The Maximum Current Log screen displays the individual log entries, including the interval date and time frame, the maximum percent of full load during the interval, the total time over limit during the interval, and the number of times over during the interval. If the individual phase option is selected, the phases that exceeded the limit will also be displayed. If no events have occurred, the screen will display LOG EMPTY. Figure 9-22 and Figure 9-23 show the Maximum Current Log screens.

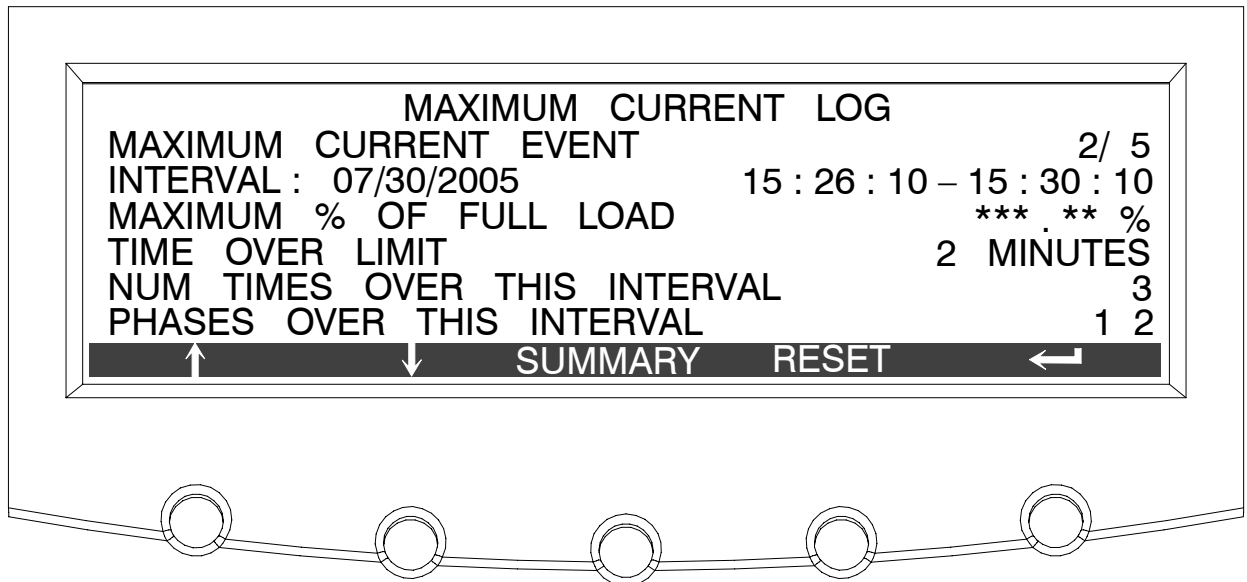
To scroll through the individual events, press the **↑** or **↓** pushbuttons on the menu bar. To return to the Maximum Current Log Summary screen, press the **SUMMARY** pushbutton on the menu bar.

To clear the Maximum Current Log, press the **RESET** pushbutton on the menu bar.



**Figure 9-22. Maximum Current Log Screen (Three-Phase Measurement)**



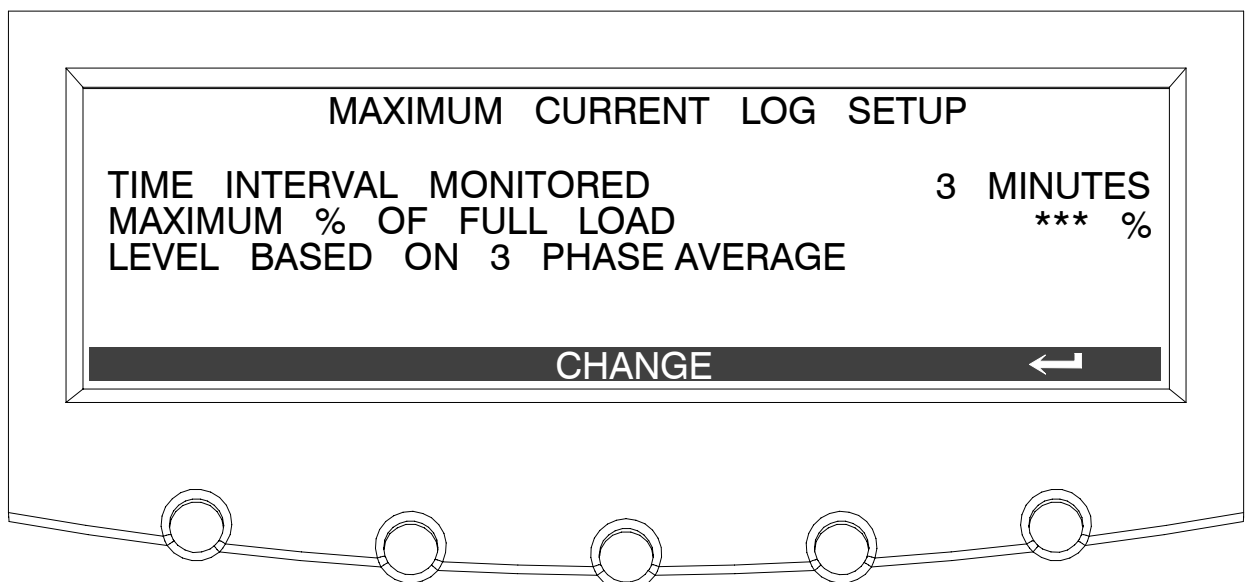


**Figure 9-23. Maximum Current Log Screen (Individual Phase Measurement)**

Press the **SETUP** pushbutton on the Maximum Current Log Summary Menu bar to display the Maximum Current Log Setup screen 1.

The Maximum Current Log Setup screen 1 displays the current user defined log settings. If no log settings are configured, the screen will display MAXIMUM CURRENT LOG DISABLED. Figure 9-24 shows the Maximum Current Log Setup screen 1.

To return to the Maximum Current Log Summary screen, press the **←** pushbutton on the menu bar.



**Figure 9-24. Maximum Current Log Setup Screen 1**

Press the **CHANGE** pushbutton on the Maximum Current Log Setup Menu bar to display the Maximum Current Log Setup screen 2.

The Maximum Current Log Setup screen can be used to set up or change the time interval, the maximum percent of load, and the calculation method (three-phase average or individual phases) log settings. Figure 9-25 shows the Maximum Current Log Setup screen 2.

Use the **↑** or **↓** pushbuttons to highlight the setup function screen desired, then press the **SELECT** pushbutton to display the function screen.

To return to the Maximum Current Log Setup screen 1, press the **←** pushbutton on the menu bar.

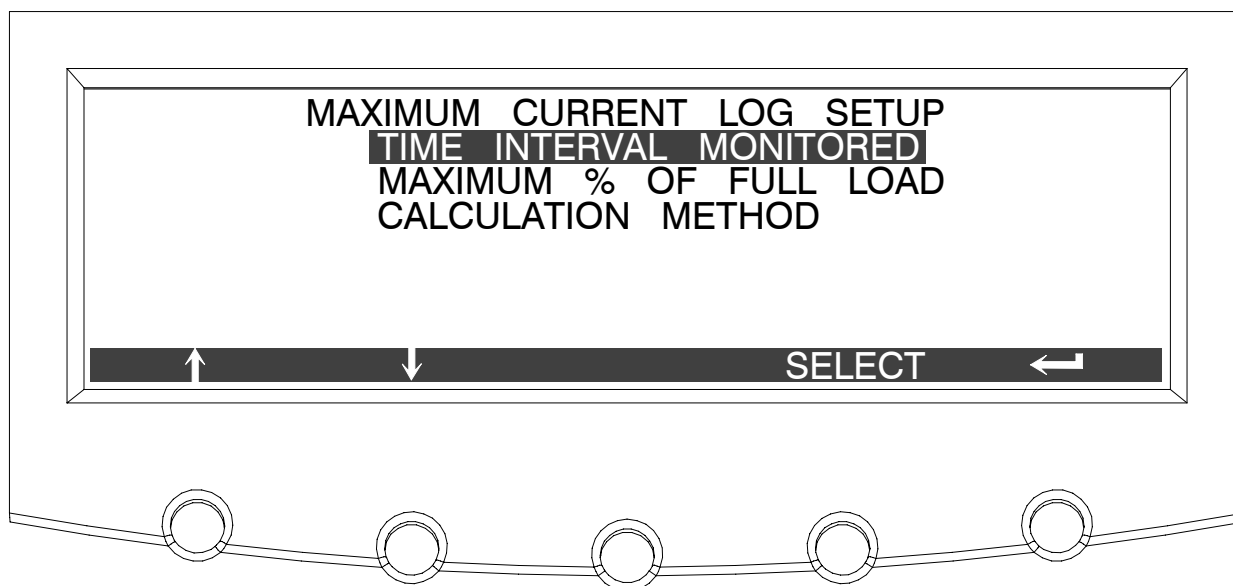
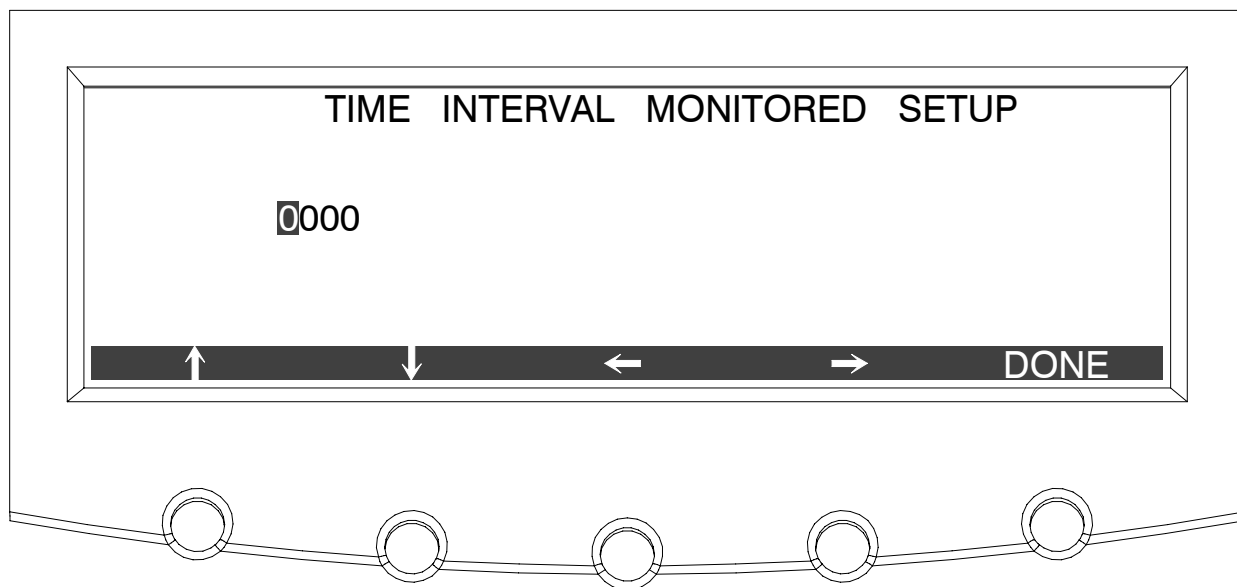


Figure 9-25. Maximum Current Log Setup Screen 2

Select **TIME INTERVAL MONITORED** from the Maximum Current Log Setup screen 2 menu to display the Time Interval Monitored Setup screen. The Time Interval Monitored Setup screen allows the time duration of the event being monitored to be changed. Figure 9-26 shows the Time Interval Monitored Setup screen.

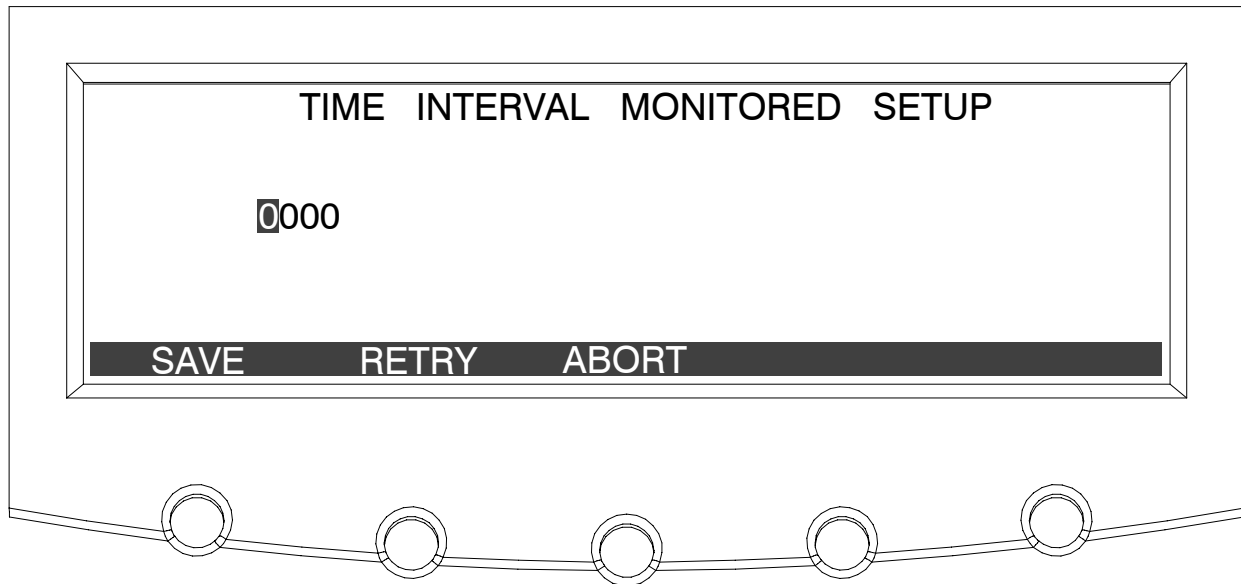
Use the ← or → pushbuttons to select the character position. Use the ↑ or ↓ pushbuttons to change the character value. Once the new value is entered, press the **DONE** pushbutton. The Time Interval Monitored Setup Save screen is displayed.



**Figure 9-26. Time Interval Monitored Setup Screen**

The Time Interval Monitored Setup Save screen lets you save the new time interval, retry another time interval, or abort the change. Figure 9-18 shows the Time Interval Monitored Setup Save screen.

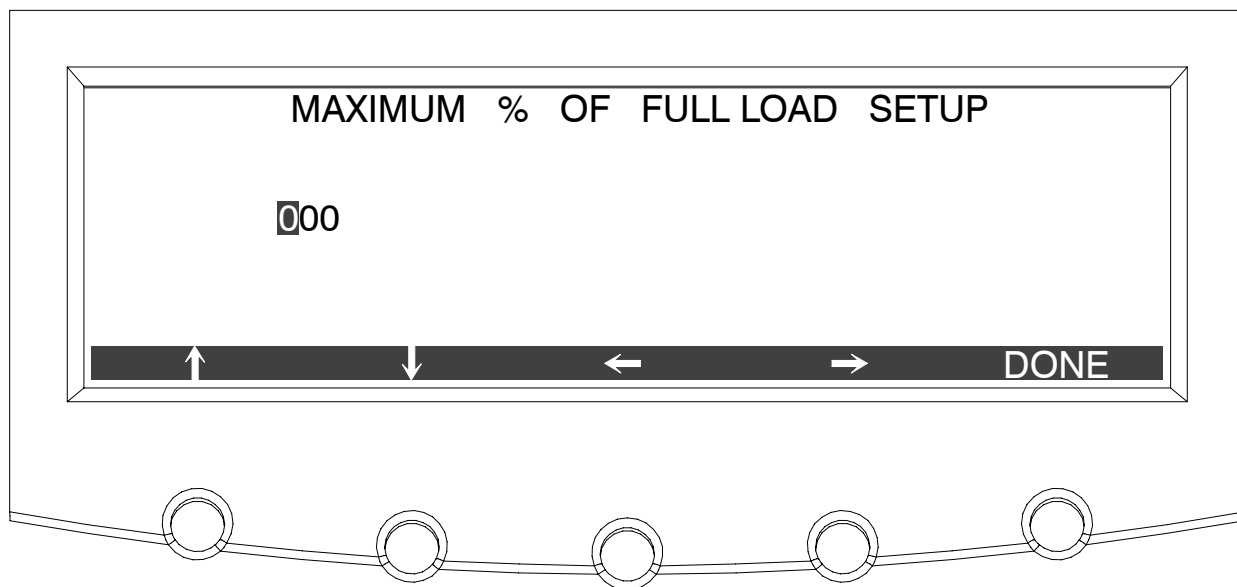
Press **SAVE**, **RETRY**, or **ABORT**. If SAVE or ABORT is pressed, the action is completed, and the Maximum Current Log Setup screen 2 displays. If RETRY is pressed, the Time Interval Monitored Setup screen is redisplayed.



**Figure 9-27. Time Interval Monitored Setup Save Screen**

Select **MAXIMUM % of FULL LOAD** from the Maximum Current Log Setup screen (screen 2) menu to display the Maximum % of Full Load Setup screen. The Maximum % of Full Load Setup screen allows the full load limit of the event being monitored to be changed. Figure 9-28 shows the Maximum % of Full Load Setup screen.

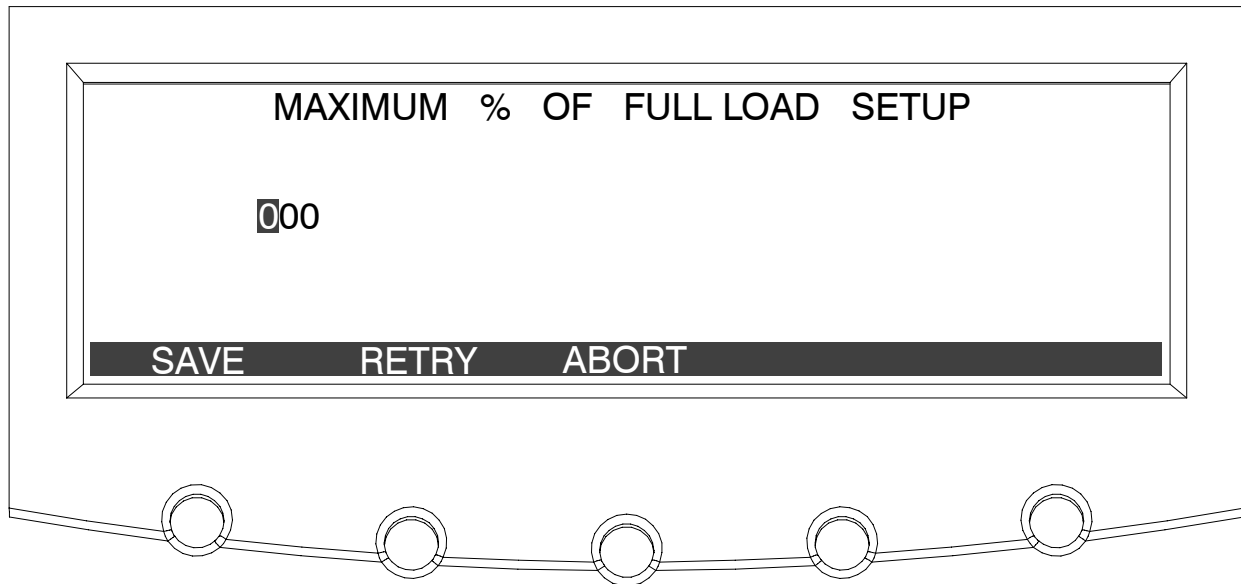
Use the ← or → pushbuttons to select the character position. Use the ↑ or ↓ pushbuttons to change the character value. Once the new value is entered, press the **DONE** pushbutton. The Maximum % of Full Load Setup Save screen is displayed.



**Figure 9-28. Maximum % of Full Load Setup Screen**

The Maximum % of Full Load Setup Save screen lets you save the new load limit, retry another load limit, or abort the change. Figure 9-29 shows the Maximum % of Full Load Setup Save screen.

Press **SAVE**, **RETRY**, or **ABORT**. If SAVE or ABORT is pressed, the action is completed, and the Maximum Current Log Setup screen 2 displays. If RETRY is pressed, the Maximum % of Full Load Setup screen is redisplayed.

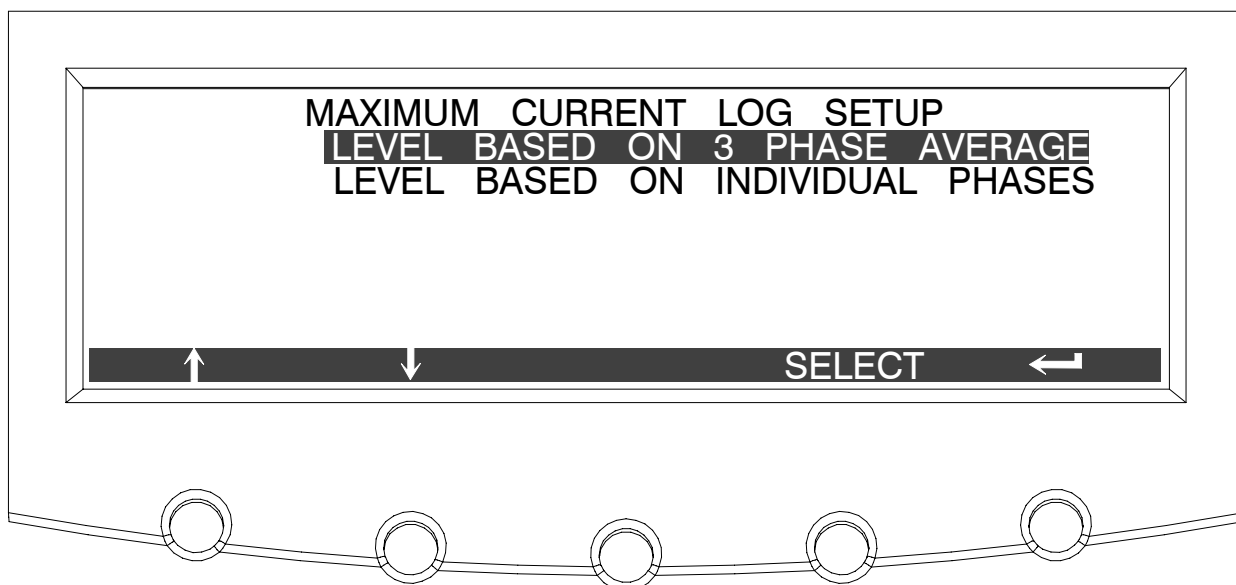


**Figure 9-29. Maximum % of Full Load Setup Save Screen**

Select **CALCULATION METHOD** from the Maximum Current Log Setup screen 2 menu to display the Calculation Method Setup screen. The Calculation Method Setup screen allows the full load limit of the event being monitored to be changed. Figure 9-30 shows the Calculation Method Setup screen.

Use the **↑** or **↓** pushbuttons to highlight the calculation method desired, then press the **SELECT** pushbutton. The action is completed, and the Maximum Current Log Setup screen 2 displays.

To return to the Maximum Current Log Setup screen 1, press the **←** pushbutton on the menu bar.



**Figure 9-30. Calculation Method Setup Screen**

## 9.2.7 System Meters Screens

The System Meters screens show the total system and individual UPS unit meter readings from any unit, when a parallel system is installed. The default voltage displayed on these screens is phase-to-neutral. However, an authorized Eaton Customer Service Engineer can change the screens to display the voltage phase-to-phase (A-B, B-C, C-A).

Press the **METERS** pushbutton on the main menu bar to display the Unit Meter screens.

Press the **SYSTEM** pushbutton on the menu bar to display the System Meters screen.

Use the **↑** or **↓** pushbuttons to highlight the Total System meter or Unit meters desired, then press the **SELECT** pushbutton to display the screen.

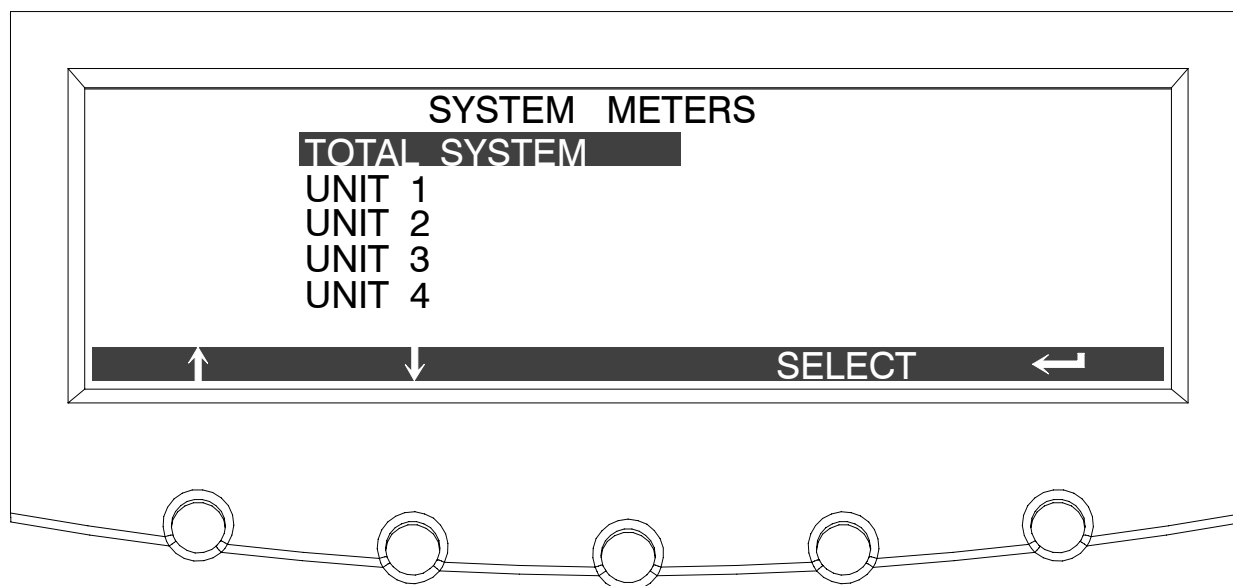
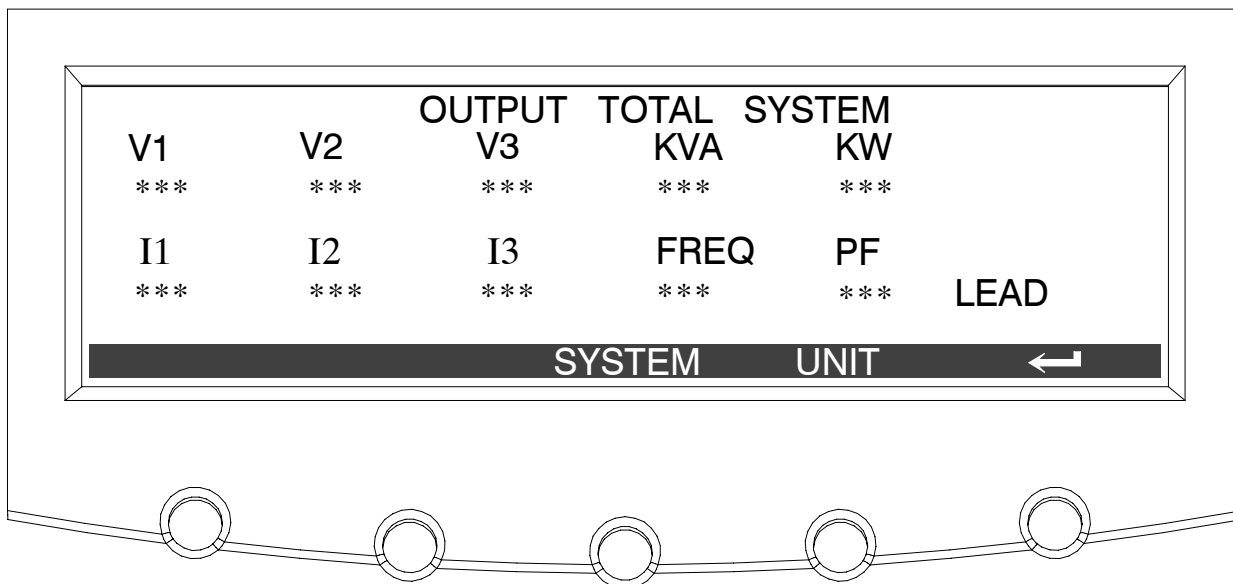


Figure 9-31. System Meters Screen



The Output Total System screen shows output voltage (phase-to-neutral), output current (each phase), and frequency being supplied by the UPS, as well as the kVA, kW, and power factor measurements for the total system. The displayed voltages and frequency are the highest measured value of all units. The displayed currents, kVA, and kW are totals of all units, and the PF is calculated from the total values for the kVA and kW.



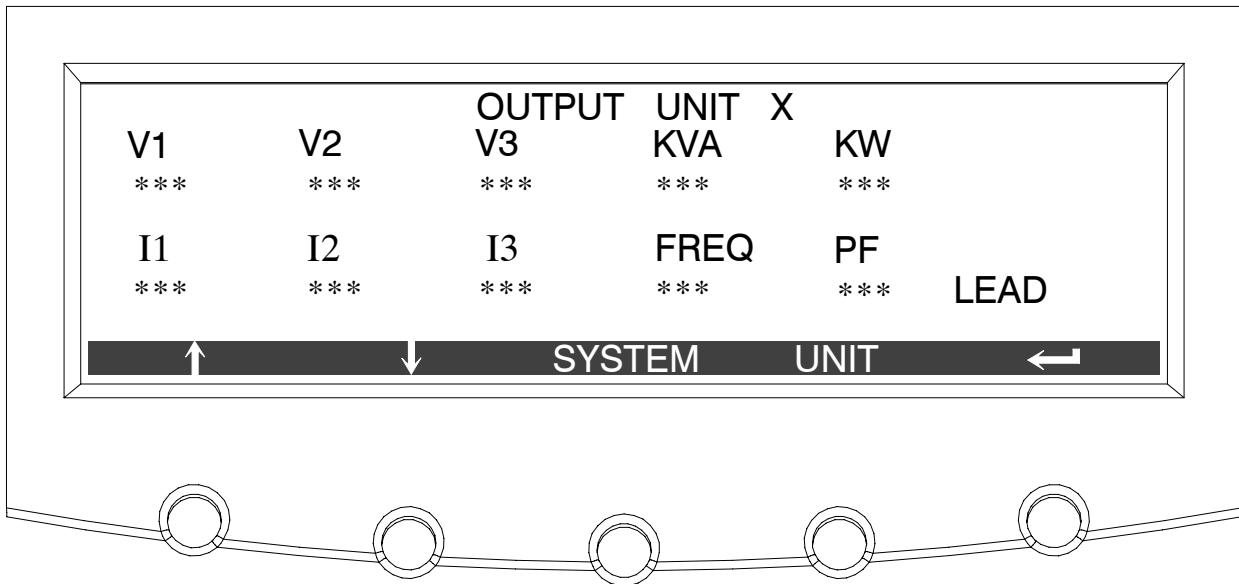
**Figure 9-32. Total System Output Meter Screen**

Figure 9-33 through Figure 9-37 show the System Meters screens. To scroll through the meter screens, press the **↑** or **↓** pushbuttons on the menu bar. The current UPS readings for the selected unit are displayed in the information area of the screen. To return to the present Unit Meter screens, press the **UNIT** pushbutton on the menu bar.



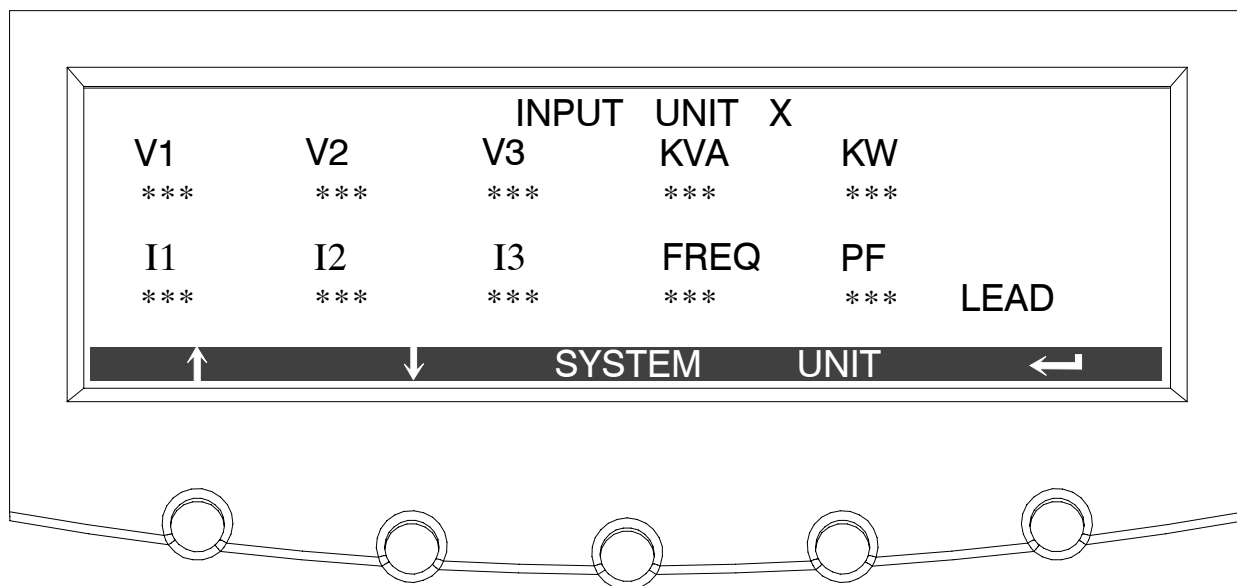
**NOTE** In the following figures, “X” equals the unit number selected from the System Meters screen.

The Output screen shows output voltage (phase-to-neutral), output current (each phase), and frequency being supplied by the UPS, as well as the kVA, kW, and power factor measurements for the selected unit.



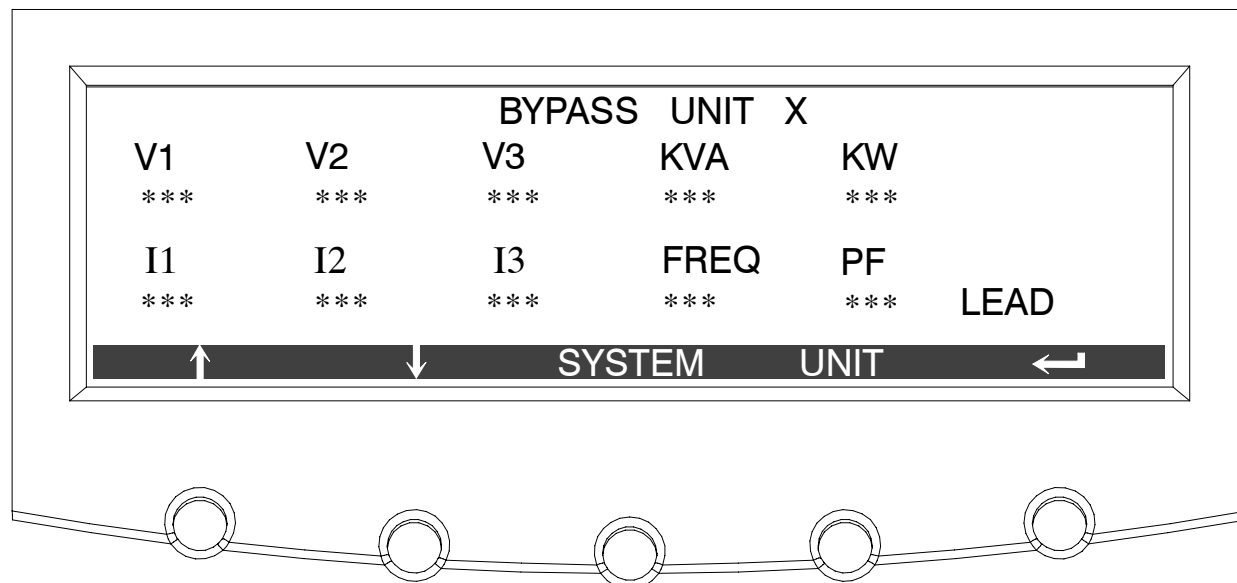
**Figure 9-33. Output Unit X Meter Screen**

The Input screen shows input voltage (phase-to-neutral), output current (each phase), and frequency of the incoming utility source, as well as the kVA, kW, and power factor measurements for the selected unit.



**Figure 9-34. Input Unit X Meter Screen**

The Bypass screen shows the bypass input voltage (phase-to-neutral), output current (each phase), and frequency of the incoming utility source, as well as the kVA, kW, and power factor measurements for the selected unit.



**Figure 9-35. Bypass Unit X Meter Screen**

The Battery screen displays the battery voltage (Vdc), the battery current (Idc), the minutes of battery time remaining, and battery temperature. Battery temperature must be set up by an authorized Eaton Customer Service Engineer. When battery life decreases to less than 20%, Check Battery is displayed.

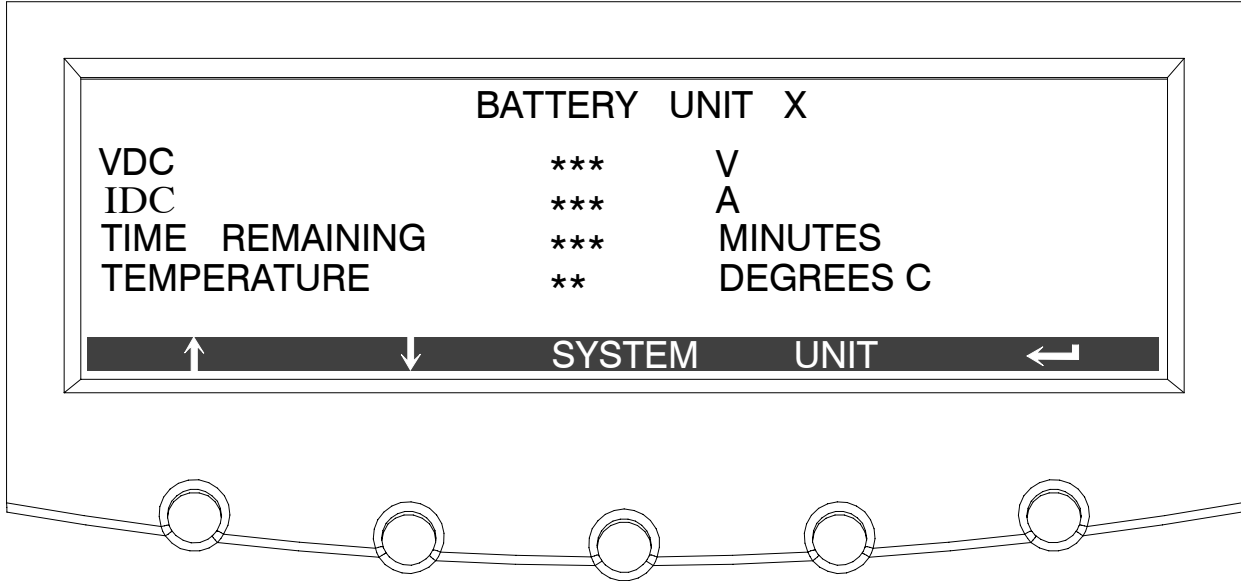


Figure 9-36. Battery Unit X Meter Screen

The Output Current screen displays a real-time bar graph of the output current of the UPS for the selected unit. The graph shows the current for each phase.

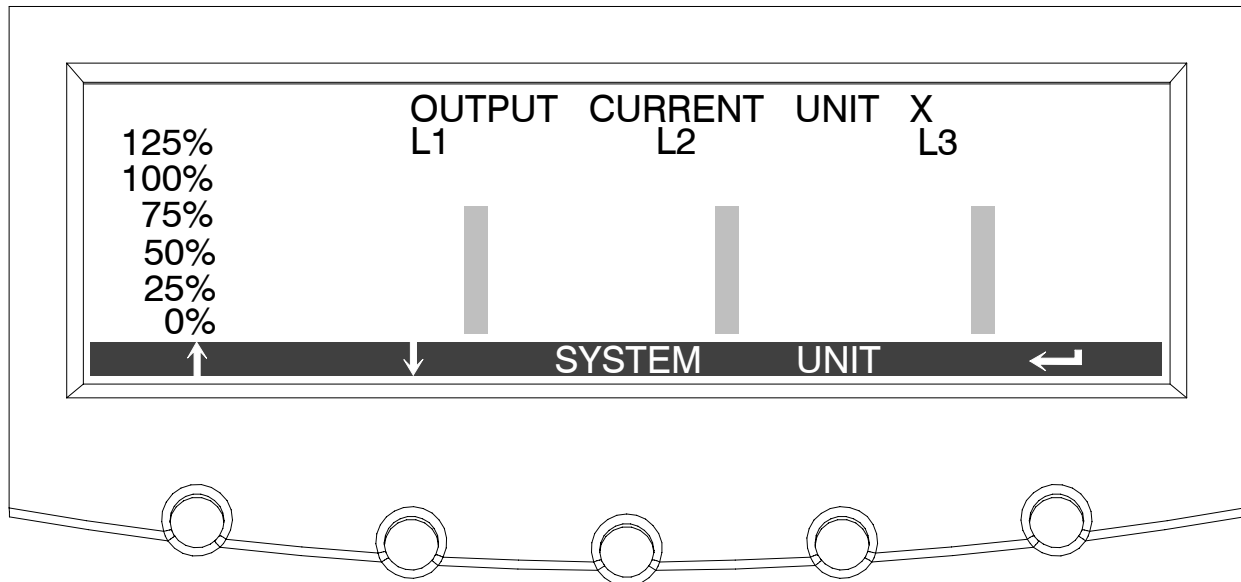


Figure 9-37. Output Current (Load) Unit X Meter Screen

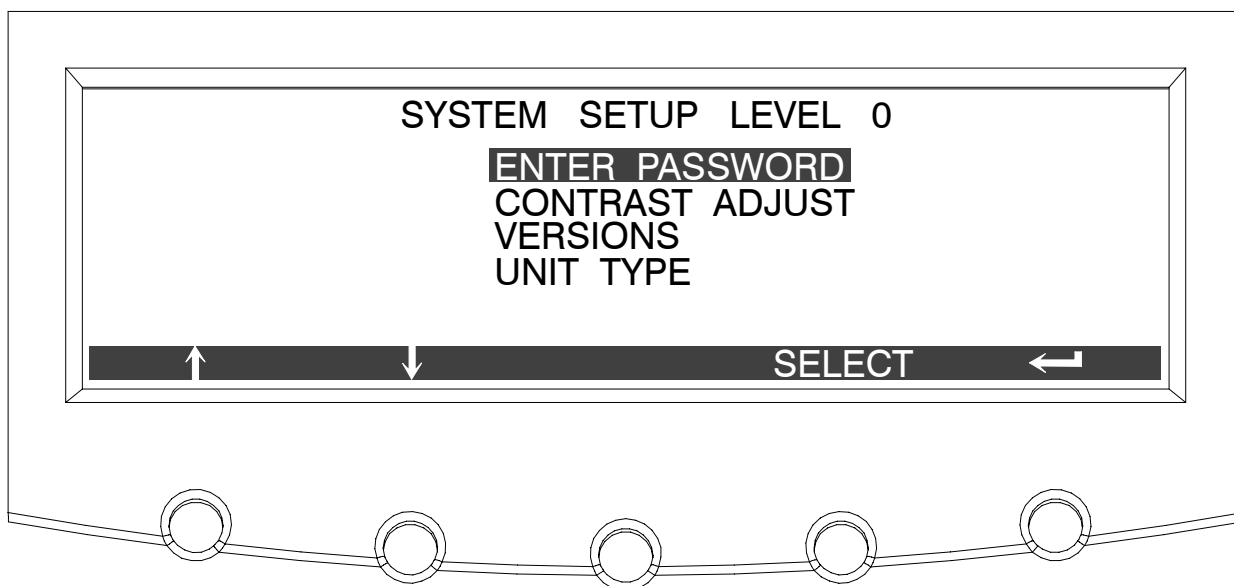
## 9.2.8 System Setup Level 0 Screens

Press the **SETUP** pushbutton on the main menu bar to display the System Setup Level 0 Screen. This screen can be used to:

- ▶ Enter a password to access Level 1 functions (see paragraph 9.2.9)  
No password is necessary to access Level 0 functions.
- ▶ Set the screen contrast
- ▶ Show the firmware versions installed
- ▶ Identify the unit type

Figure 9-38 shows the System Setup Level 0 menu screen.

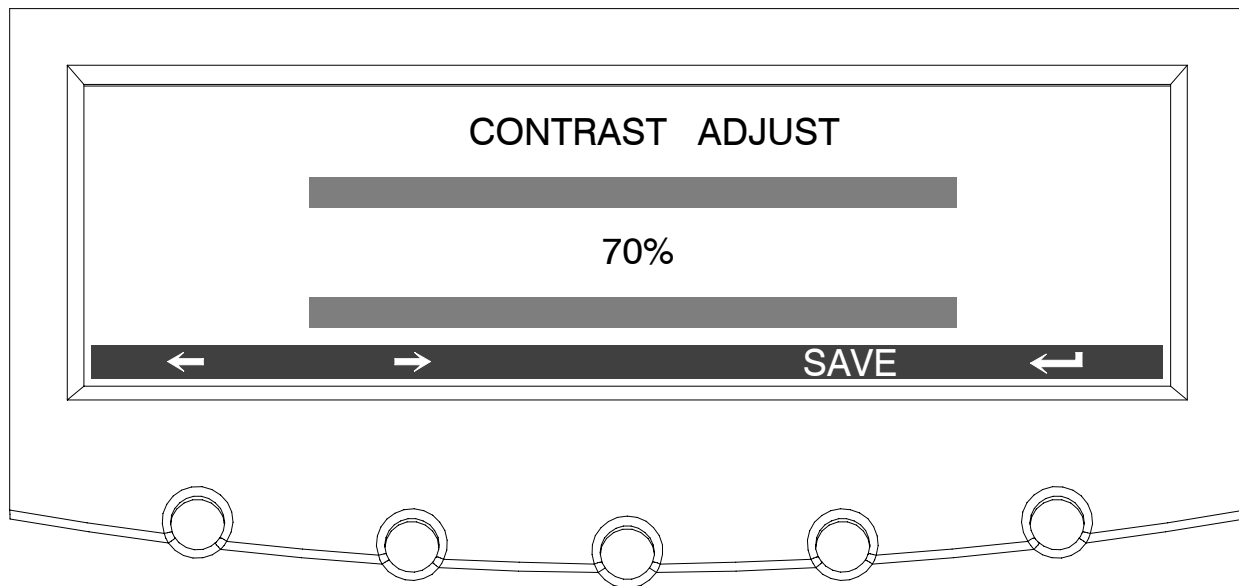
Use the **↑** or **↓** pushbuttons to highlight the setup function screen desired, then press the **SELECT** pushbutton to display the function screen.



**Figure 9-38. System Setup Level 0 Screen**

Select **CONTRAST** from the System Setup Level 0 menu to display the Contrast Adjust screen. Figure 9-39 shows the Contrast Adjust screen.

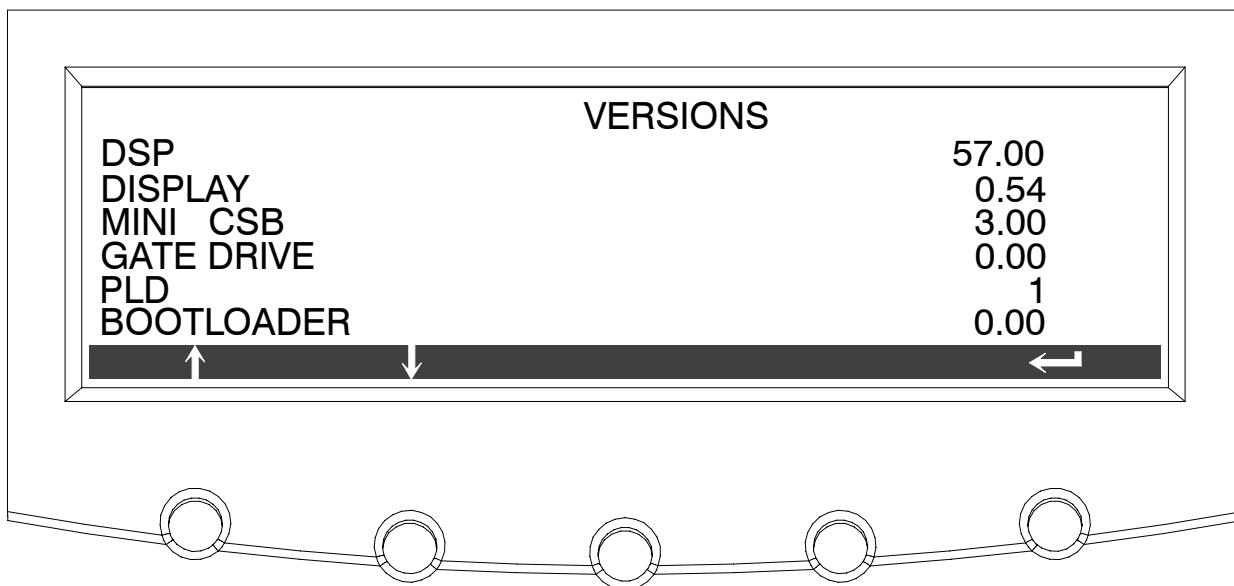
Use the ← or → pushbuttons to adjust the contrast for the LCD. When the contrast adjustment is complete, press the **SAVE** pushbutton. Once the setting is saved, the System Setup screen displays. To return to the System Setup screen without saving the setting, press the ← pushbutton.



**Figure 9-39. Contrast Adjust Screen**

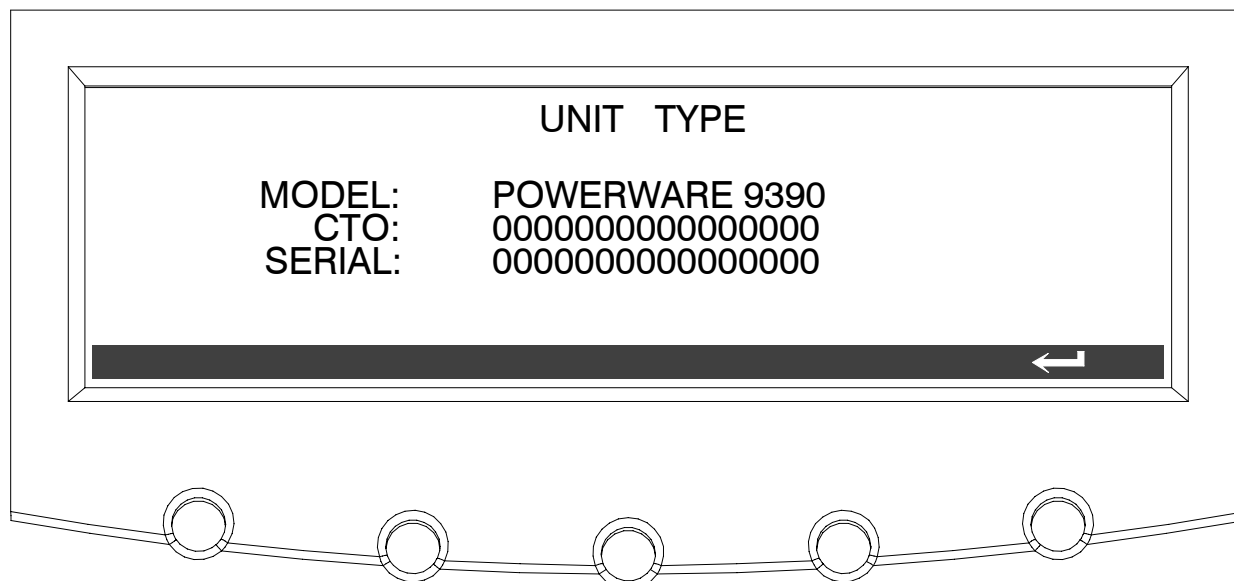
Select **VERSIONS** from the System Setup Level 0 menu to display the Versions screen. The Versions screen provides the firmware version numbers installed on the UPS. Figure 9-40 shows the Versions screen.

To scroll through the firmware types, press the **↑** or **↓** pushbuttons on the menu bar. To return to the System Setup screen, press the **←** pushbutton.



**Figure 9-40. Versions Screen**

Select **UNIT TYPE** from the System Setup Level 0 menu to display the Unit Type screen. The Unit Type screen provides the model, CTO, and serial numbers of the UPS unit. Figure 9-41 shows the Unit Type screen. To return to the System Setup screen, press the **←** pushbutton.

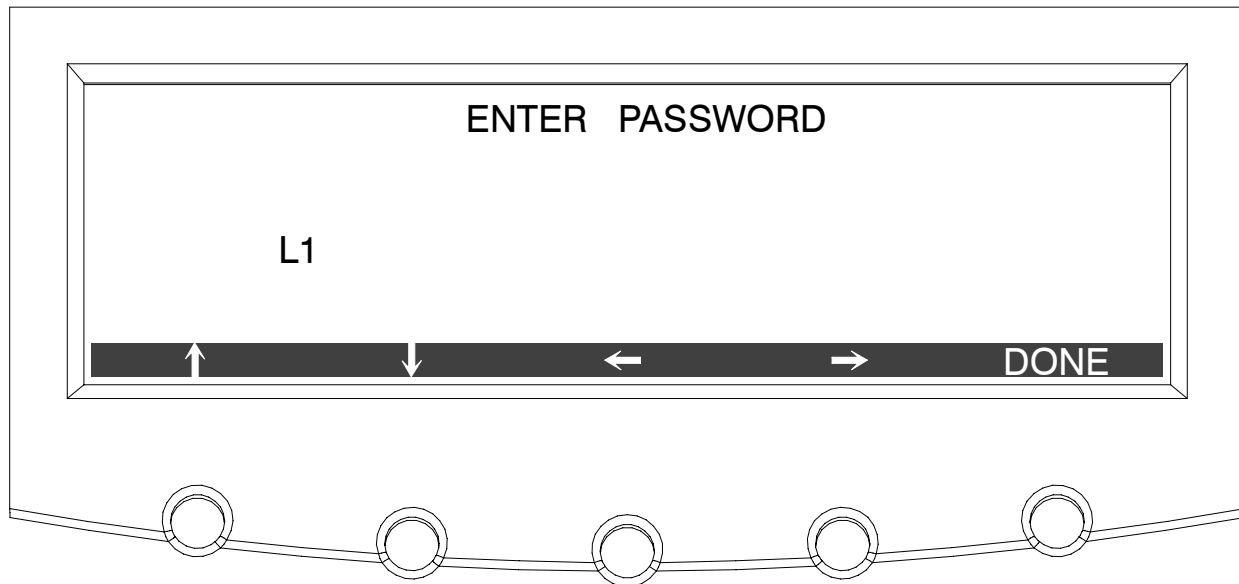


**Figure 9-41. Unit Type Screen**

## 9.2.9 System Setup Level 1 Screens

A password is required to access the Level 1 functions. To enter the password, select **ENTER PASSWORD** from the System Setup Level 0 menu to display the Enter Password screen. Figure 9-42 shows the Enter Password screen.

Use the ← or → pushbuttons to select the password character position. Use the ↑ or ↓ pushbuttons to change the password character. Once the password is entered, press the **DONE** pushbutton. The System Setup Level 1 menu screen is displayed. The default password is L1.



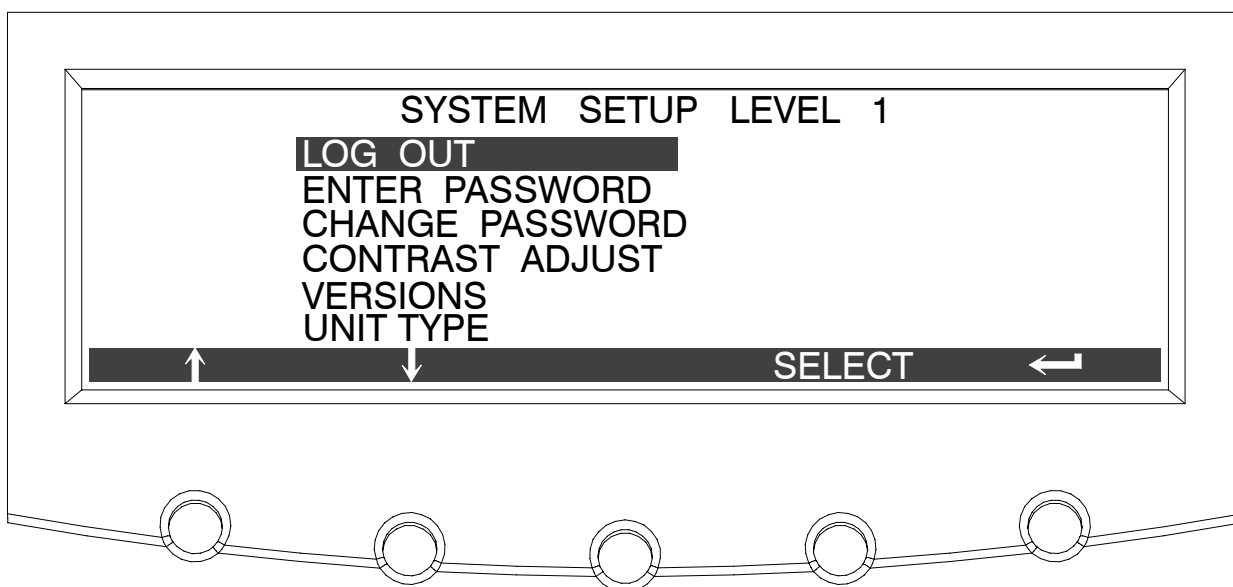
**Figure 9-42. Enter Password Screen**



The System Setup Level 1 screen can be used to set the UPS date and time, set the serial ports, change the Level 1 password, and log out of Level 1. In addition, the Level 0 functions are available. Figure 9-43 shows the System Setup Level 1 screen.

Use the **↑** or **↓** pushbuttons to highlight the setup function screen desired, then press the **SELECT** pushbutton to display the function screen.

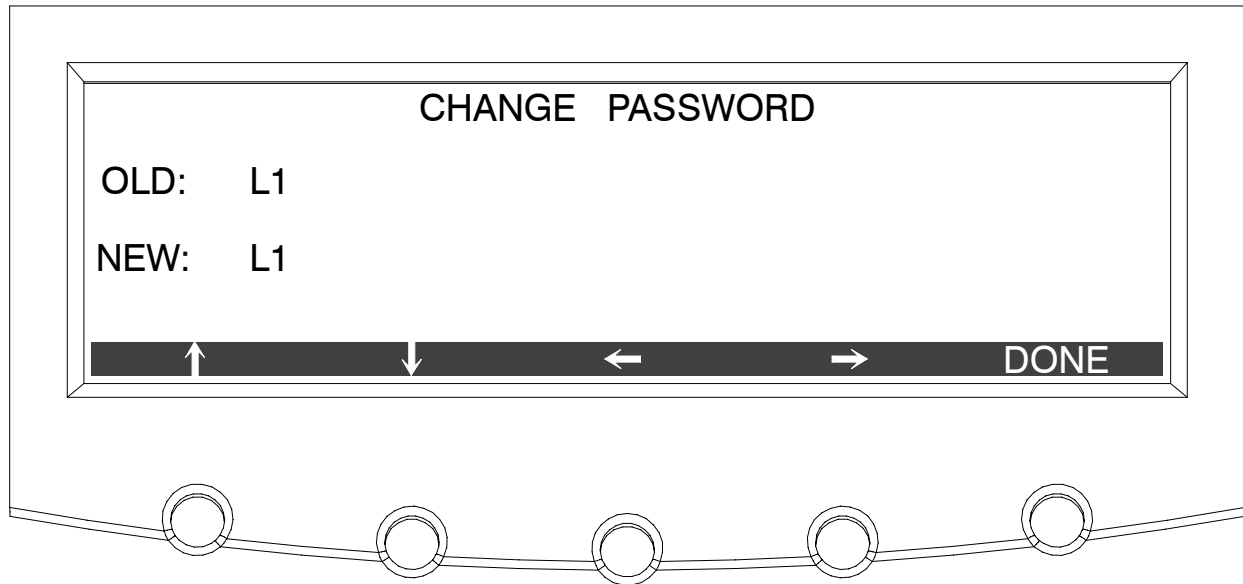
The Level 1 screen times out after 60 minutes or can be logged out at any time by selecting the **LOG OUT** function from the menu screen.



**Figure 9-43. System Setup Level 1 Screen**

Select **CHANGE PASSWORD** from the System Setup Level 1 menu to display the Change Password screen. The Change Password screen allows the System Setup Level 1 password to be changed. Figure 9-44 shows the Change Password screen.

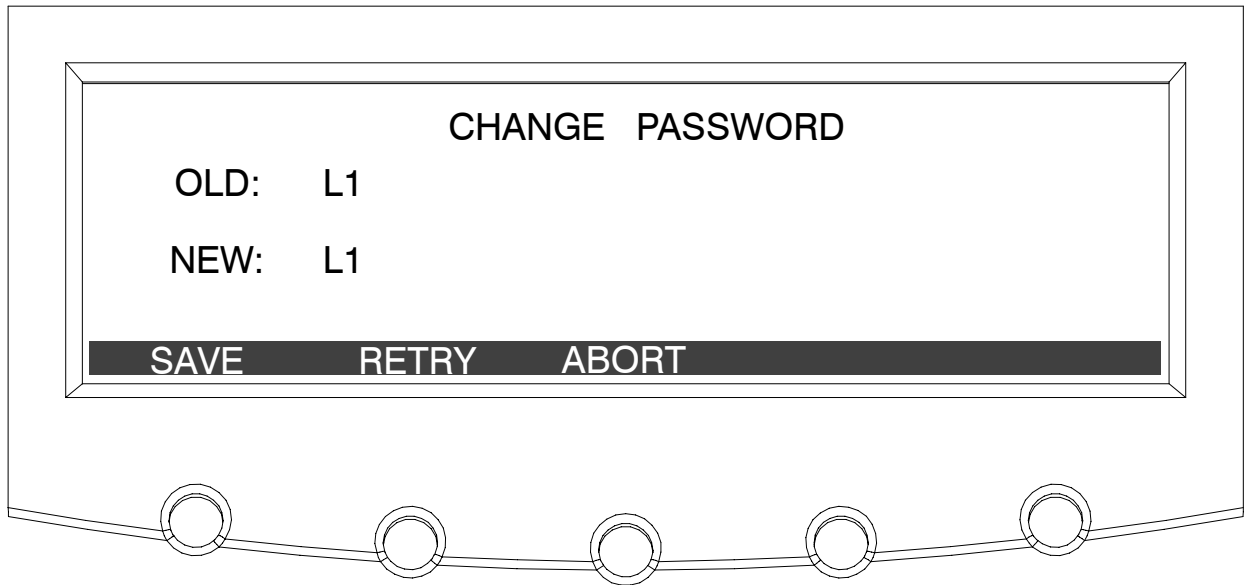
Use the ← or → pushbuttons to select the password character position. Use the ↑ or ↓ pushbuttons to change the password character. Once the new password is entered, press the **DONE** pushbutton. The Change Password Save screen is displayed.



**Figure 9-44. Change Password Screen**

The Change Password Save screen lets you save the new password, retry another password, or abort the password change. Figure 9-45 shows the Change Password Save screen.

Press **SAVE**, **RETRY**, or **ABORT**. If SAVE or ABORT is pressed, the action is completed, and the System Setup screen displays. If RETRY is pressed, the Change Password screen is redisplayed.



**Figure 9-45. Change Password Save Screen**

Select **DATE AND TIME** from the System Setup Level 1 menu to display the Time Format Setup screen. The Time Format Setup screen allows the selection of either month/day/year or day/month/year formats for display on the screen and for logging events in the Event and History Logs. Figure 9-46 shows the Time Format screen.

Use the **↑** or **↓** pushbuttons to highlight the desired format, then press the **SELECT** pushbutton to display the Set Date and Time screen. To return to the System Setup screen, press the **←** pushbutton.

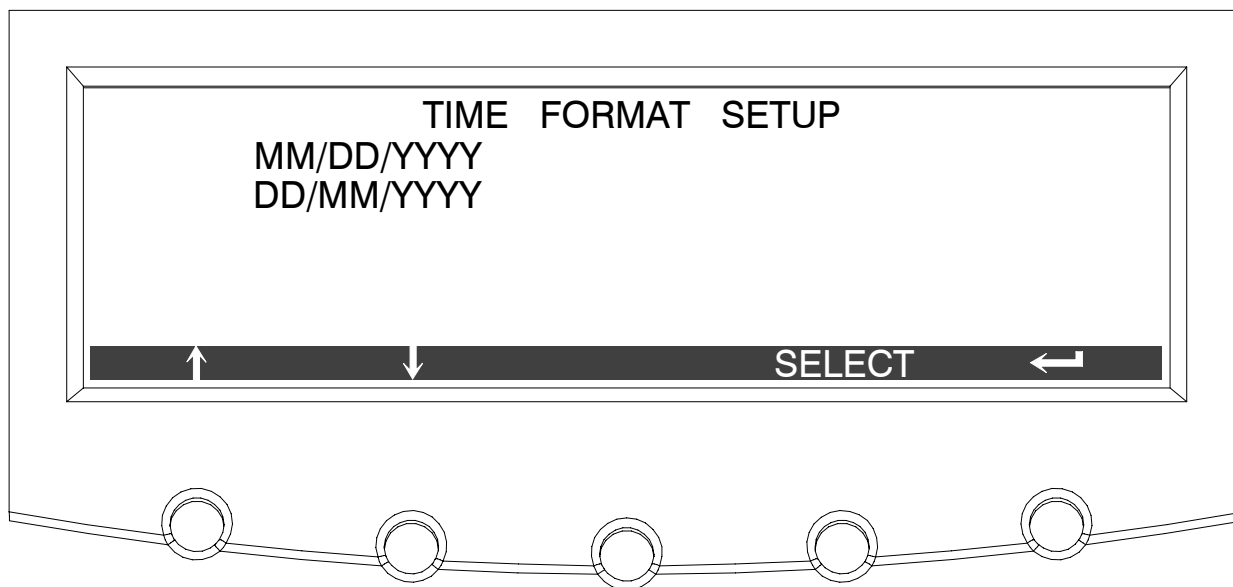
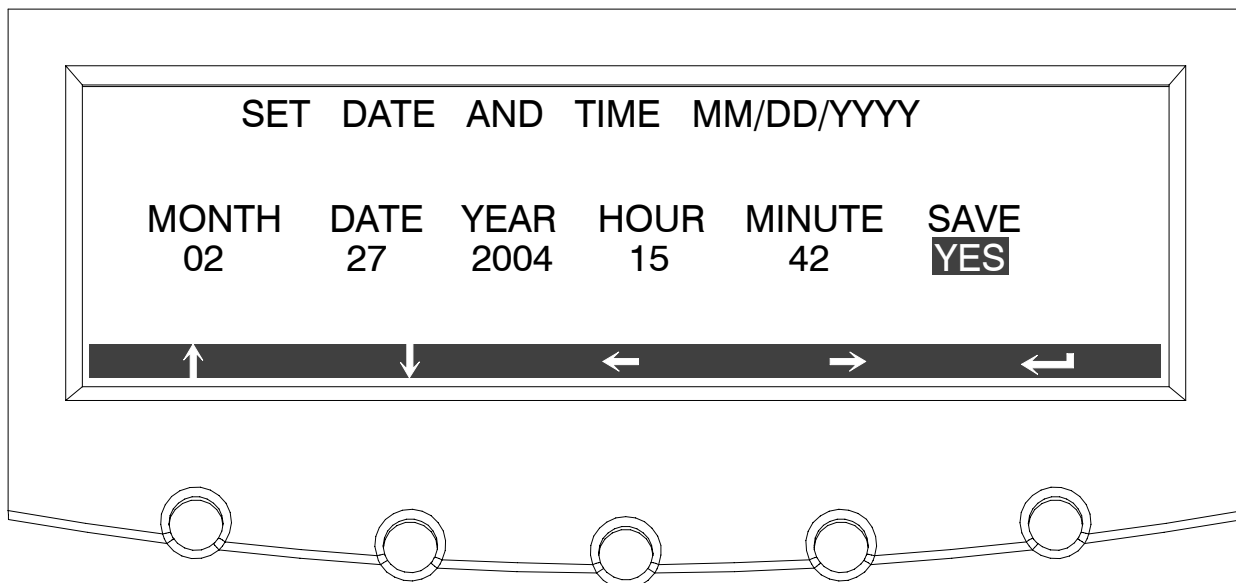


Figure 9-46. Time Format Screen

The Set Date and Time MM/DD/YYYY screen allows the internal date and time of the UPS to be set in the month/day/year format. The date and time information is used for display on the screen and for logging events in the Event and History Logs. Figure 9-47 shows the Set Date and Time MM/DD/YYYY screen.

Use the ← or → pushbuttons to highlight the setting to be changed. Use the ↑ or ↓ pushbuttons to make the change. When finished making changes, use the ← or → pushbuttons to highlight SAVE and the ↑ or ↓ pushbuttons to select YES. To complete the save function and return to the System Setup screen, select the ← pushbutton.



**Figure 9-47. Set Date and Time MM/DD/YYYY Screen**

The Set Date and Time DD/MM/YYYY screen allows the internal date and time of the UPS to be set in the day/month/year format. The date and time information is used for display on the screen and for logging events in the Event and History Logs. Figure 9-48 shows the Set Date and Time DD/MM/YYYY screen.

Use the ← or → pushbuttons to highlight the setting to be changed. Use the ↑ or ↓ pushbuttons to make the change. When finished making changes, use the ← or → pushbuttons to highlight SAVE and the ↑ or ↓ pushbuttons to select YES. To complete the save function and return to the System Setup screen, select the ← pushbutton.

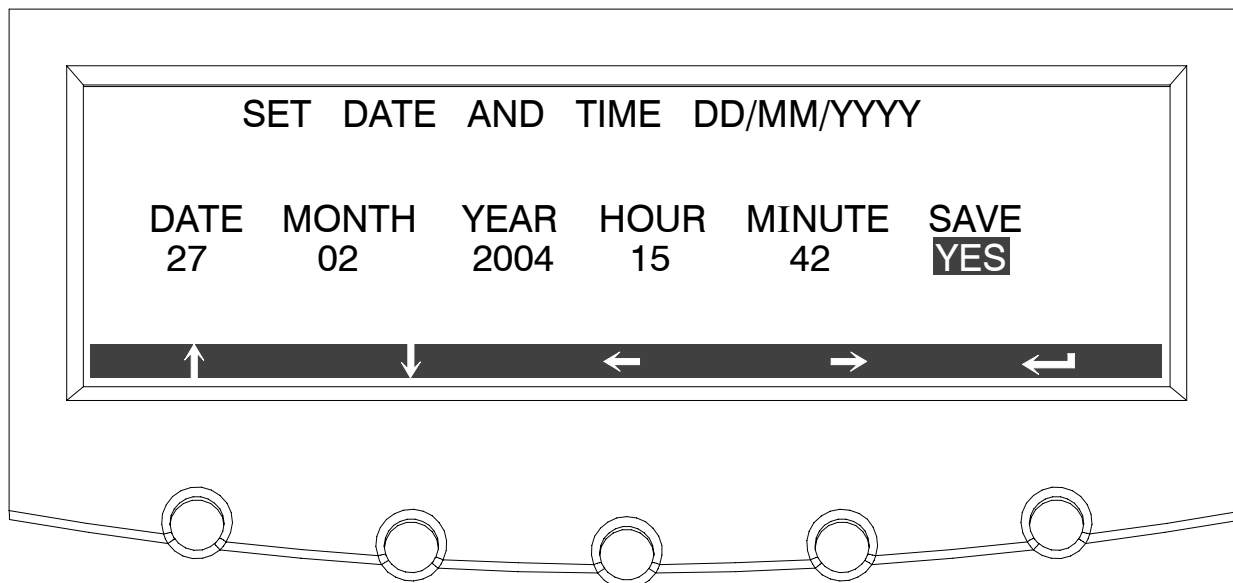
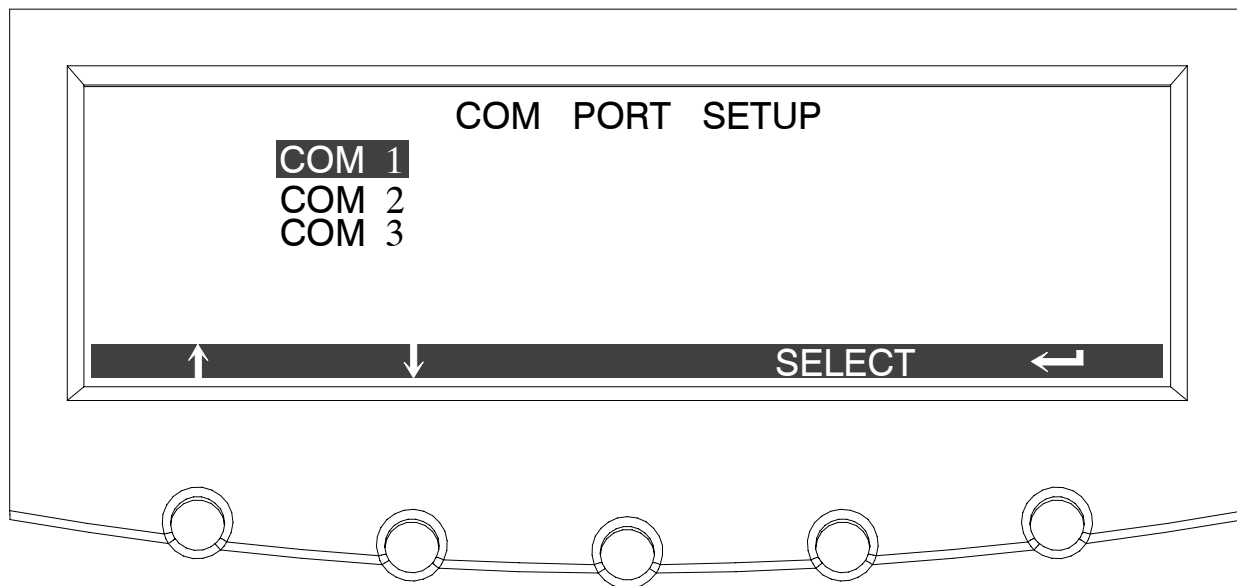


Figure 9-48. Set Date and Time DD/MM/YYYY Screen

Select **COM PORT SETUP** from the System Setup Level 1 menu to display the COM Port Setup screen. This screen allows selection of the serial COM port to set up. Figure 9-49 shows the COM Port Setup screen.

Use the **↑** or **↓** pushbuttons to highlight the the COM port to be set up, then press the **SELECT** pushbutton. To return to the System Setup screen, press the **←** pushbutton.



**Figure 9-49. COM Port Setup Screen**

The COM Setup screen is used to change and save the settings for the serial communication ports. The COM port number selected from the COM Port Setup screen displays. If the changes are not wanted, use the **ABORT** pushbutton to return to the COM Port Setup screen. Figure 9-50 shows the COM Setup screen.

Use the **↑** or **↓** pushbuttons to highlight the setting to be changed. Use the **→** pushbutton to toggle through the values for the setting to make the change. Press **SAVE** or **ABORT**. Once the action is completed, the COM Port Setup screen appears.

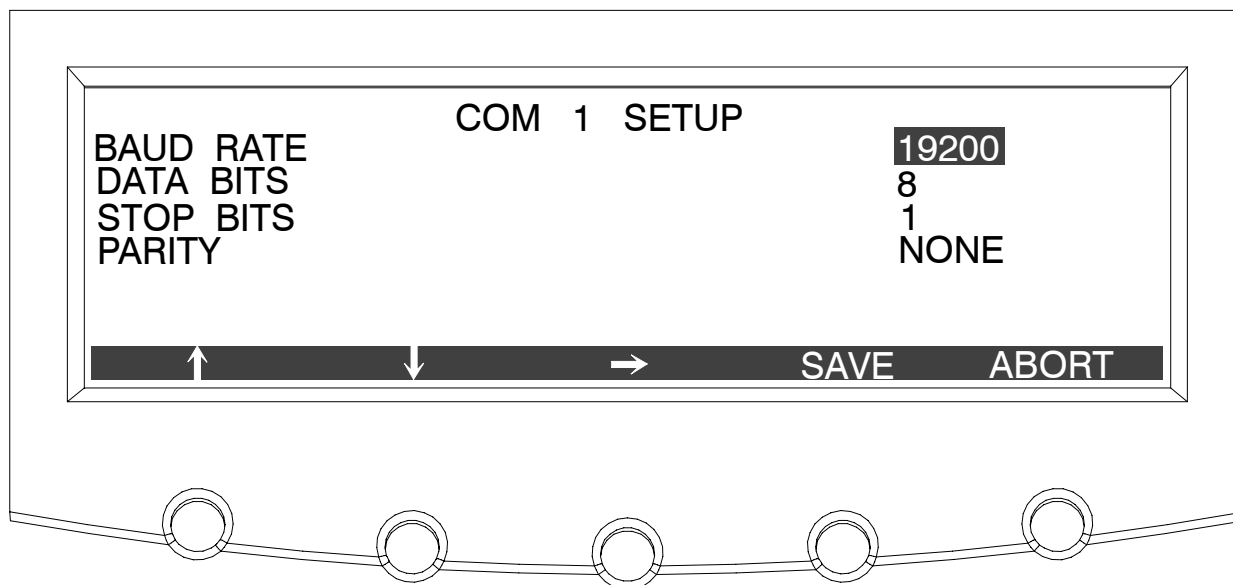


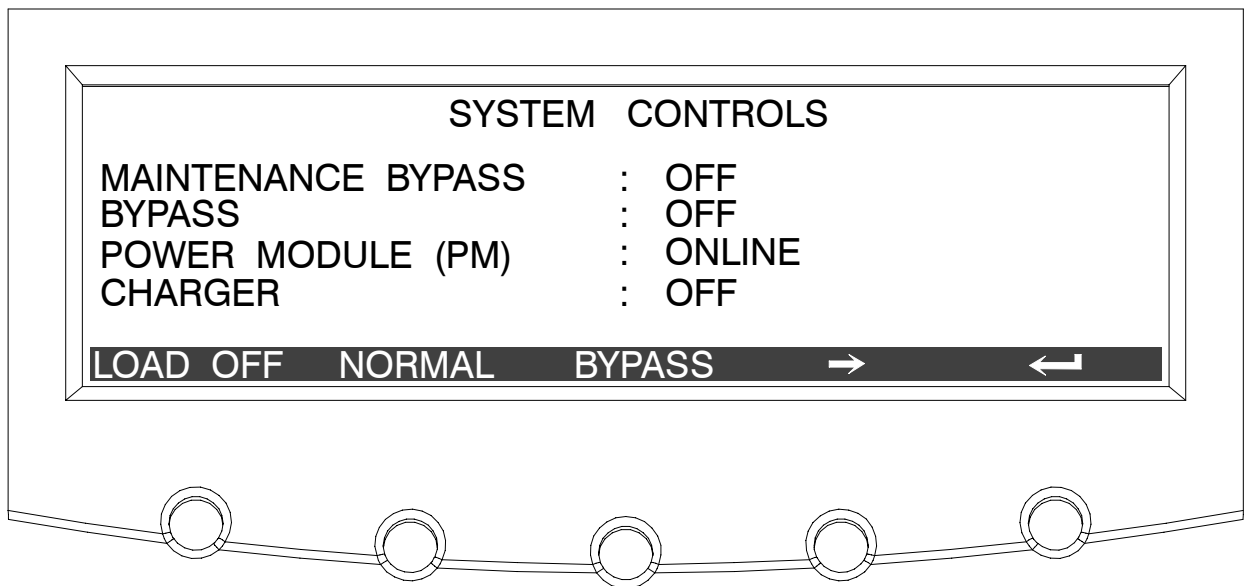
Figure 9-50. COM Setup Screen



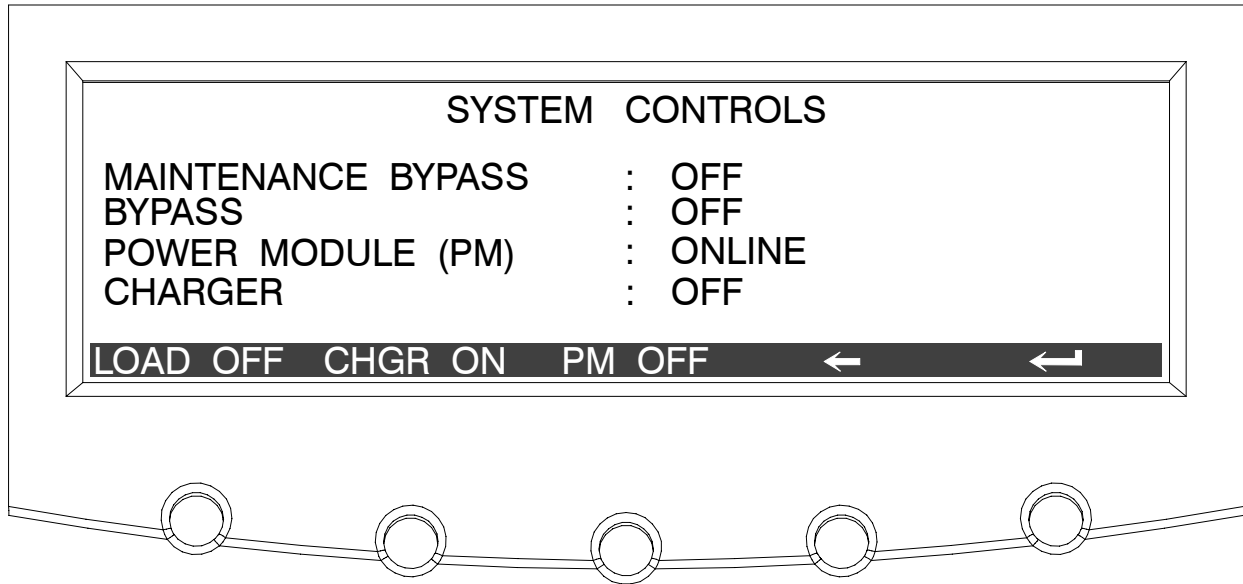
## 9.3 System Controls Screen

Press the **CONTROLS** pushbutton on the main menu bar to display the System Controls screen. LOAD OFF, normal operation, transfer to bypass, charger control, and power module startup and shutdown functions are controlled from this screen. In addition, the screen displays the current status of the UPS and indicates whether the UPS is in Maintenance Bypass or Bypass, and the state of the power module (PM) and battery charger. Figure 9-51 and Figure 9-52 show the System Controls screens.

Use the ← or → pushbutton on the menu bar to toggle the menu bar functions between the two System Controls screens.



**Figure 9-51. System Controls Screen 1**



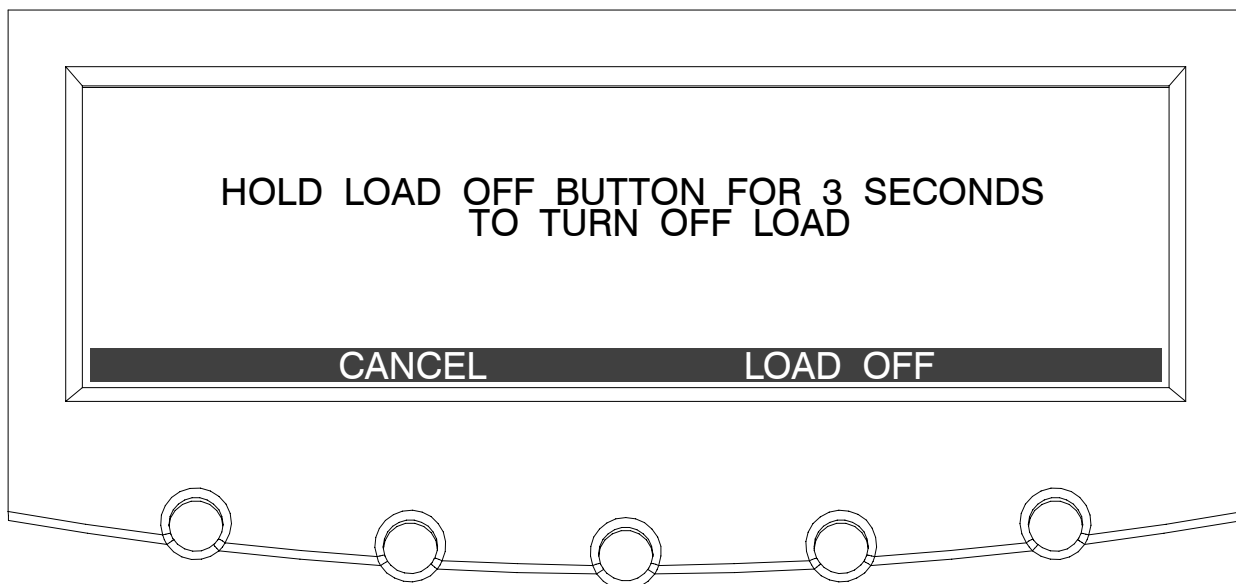
**Figure 9-52. System Controls Screen 2**

The CHGR pushbutton switch toggles the charger function On and Off. The PM pushbutton switch toggles the power module function On and Off.

For detailed information about using the System Controls, see Chapter 10, “UPS Operating Instructions.”

## 9.4 Load Off Screen

The Load Off screen appears when the LOAD OFF pushbutton is selected from the main menu bar or System Controls menu bar. This screen allows the LOAD OFF process to be aborted if the LOAD OFF pushbutton was pressed accidentally. Figure 9-53 shows the Load Off screen. For detailed information about using the LOAD OFF and Shutdown screens, see Chapter 10, “UPS Operating Instructions.”

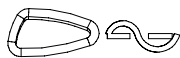


**Figure 9-53. Load Off Screen**

## 9.5 Reading the Status Indicators

The four symbols on the right side of the control panel are *status indicators*. They are colored light emitting diode (LED) lamps, and they work in conjunction with the alarm horn to let you know the operating status of the UPS.

Normal



This green indicator is illuminated when the UPS is operating in Normal mode. The power module is supplying power to the critical load.

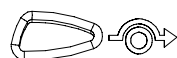
The indicator flashes when the system needs attention. The LCD shows all active notices. Some notices may be accompanied by an audible horn. To silence the horn, press any control panel pushbutton once. The indicator may be flashing while other indicators are illuminated. The indicator continues to flash until acknowledged by pressing any control panel pushbutton once.

Battery



This yellow indicator is illuminated when the UPS is operating in Battery mode. Because Battery mode is a normal condition of the UPS, the Normal indicator also remains illuminated.

Bypass



This yellow indicator is illuminated when the UPS is operating in Bypass mode. The critical load is supported by the bypass source. The Normal indicator is not illuminated when the system is in Bypass mode.

Alarm



This red indicator is illuminated when a situation requires immediate attention. The LCD shows the highest priority active alarms. All alarms are accompanied by an audible horn. To silence the horn, press any control panel pushbutton once. The Alarm indicator may be illuminated along with other indicators. The indicator flashes until acknowledged by pressing any control panel pushbutton once.

For more information about audible horns, see “System Event Horns” on page 12-1.

## Chapter 10 | UPS Operating Instructions

The following procedures provide instructions for operating the UPS or parallel system. For a description of the UPS control panel functions, see Chapter 9, “Using the Control Panel.”



**NOTE** *Before starting the UPS or parallel system, ensure all installation tasks are complete and a preliminary startup has been performed by authorized service personnel. The preliminary startup verifies all electrical interconnections to ensure the installation was successful and the system operates properly.*

**NOTE** *Read this section of the manual and have thorough knowledge of parallel and UPS operation before attempting to operate any of the controls.*

**NOTE** *The UPS displays two minutes of battery runtime at the initial startup. After a 24-hour charging period, the UPS automatically runs a battery test and the correct battery runtime displays.*

### 10.1 Single Module Operation

#### 10.1.1 Starting the UPS in Normal Mode

To start the UPS system, perform the following procedure:

1. Close the UPS input feeder circuit breaker.
2. If the UPS is dual feed, close the UPS Bypass input feeder circuit breaker.
3. Observe the UPS control panel display becoming active, indicating logic power.
4. Press the **CONTROLS** pushbutton on the main menu bar. The System Controls screen appears.
5. On the System Controls screen, the power module (PM) status should indicate SHUTDOWN.
6. Press the **NORMAL** pushbutton on the System Controls menu bar.

If Auto Bypass is enabled, the critical load is immediately supplied by the bypass source, in Bypass mode, until the inverter turns on and the UPS transfers to Normal mode. The status indicator on the UPS control panel indicates the UPS is in Bypass mode. If Auto Bypass is not enabled, the UPS output remains off until the UPS transfers to Normal mode.

7. Observe the following messages appear sequentially on the power module (PM) status line:

DC STARTING  
INVERTER STARTING  
INVERTER SYNCING  
READY  
ONLINE

The rectifier and inverter turn on. The inverter continues to ramp up to full voltage.

8. Close the battery breaker any time after INVERTER SYNCING or CLOSE BATTERY appears on the display.

Once the inverter reaches full voltage, and the battery breaker is closed, the UPS output contactor K3 closes and the static switch turns off. Power is now supplied to the critical load in Normal mode. It takes approximately 1 minute for the UPS to achieve Normal mode.

9. The UPS is now operating in Normal mode and the **NORMAL** status indicator is illuminated.

### 10.1.2 Starting the UPS in Bypass Mode

If the inverter output of the UPS is not available and the critical load needs to be energized, perform the following procedure:



#### CAUTION

In Bypass mode, the critical load is not protected from commercial power interruptions and abnormalities.

1. Close the UPS input feeder circuit breaker.
2. If the UPS is dual feed, close the UPS Bypass input feeder circuit breaker.
3. Observe the UPS control panel becoming active, indicating logic power.
4. Press the **CONTROLS** pushbutton on the main menu bar. The System Controls screen appears.
5. On the System Controls screen, the power module (PM) status should indicate SHUTDOWN.

6. Press the **BYPASS** pushbutton on the System Controls menu bar.

The critical load is immediately supplied by the bypass source, in Bypass mode.

7. The UPS is now operating in Bypass mode and the **BYPASS** status indicator is illuminated.

### 10.1.3 Starting the Power Module

To start the power module without transferring the critical load to normal, perform the following procedure:

1. Close the UPS input feeder circuit breaker.
2. If the UPS is dual feed, close the UPS Bypass input feeder circuit breaker.
3. Observe the UPS control panel becoming active, indicating logic power.
4. Press the **CONTROLS** pushbutton on the main menu bar. The System Controls screen appears.
5. On the System Controls screen, the power module (PM) status should indicate SHUTDOWN.
6. Press the → pushbutton to display System Controls Screen 2.
7. Press the **PM ON** pushbutton on the System Controls menu bar.
8. Observe the following messages appear sequentially on the power module (PM) status line:

```
DC STARTING
INVERTER STARTING
INVERTER SYNCING
READY
```

The rectifier and inverter turn on. When the inverter reaches full voltage, the UPS is ready to transfer to the Normal mode and supply the critical load.

### 10.1.4 Transfer from Normal to Bypass Mode

To transfer the critical load to Bypass mode, perform the following procedure:

#### CAUTION



In Bypass mode, the critical load is not protected from commercial power interruptions and abnormalities.

1. Press the **CONTROLS** pushbutton on the main menu bar. The System Controls screen appears.
2. Press the **BYPASS** pushbutton on the System Controls menu bar.

The UPS transfers to Bypass mode and the critical load is immediately supplied by the bypass source. If the bypass source is not available, the power processor remains on and an alarm sounds.

3. The UPS is now operating in Bypass mode and the **BYPASS** status indicator is illuminated.

The power module (PM) status indicates READY. The system is now on bypass and the UPS power processor remains on.



### WARNING

Power is present inside the UPS cabinets.

## 10.1.5 Transfer from Bypass to Normal Mode

To transfer the critical load to Normal mode, perform the following procedure:

1. Press the **CONTROLS** pushbutton on the main menu bar. The System Controls screen appears.
2. Press the **NORMAL** pushbutton on the System Controls menu bar.

The UPS transfers to Normal mode. If the power processor is not available, the system remains on bypass and an alarm sounds.

3. The UPS is now operating in Normal mode, and the **NORMAL** status indicator is illuminated.

The power module (PM) status indicates ONLINE.

## 10.1.6 Transfer from Normal to Bypass Mode and Shut Down UPS

To transfer the critical load to Bypass mode and shut down the UPS, perform the following procedure:

1. Transfer the critical load to bypass by performing the procedure in paragraph 10.1.4.
2. Press the **CONTROLS** pushbutton on the main menu bar. The System Control screen appears.
3. Press the → pushbutton to display System Controls Screen 2.
4. Press the **PM OFF** pushbutton on the System Controls menu bar.

The power module (PM) status indicates SHUTDOWN. The input and output contactors open, the battery breaker or disconnect is tripped, and the power module is turned off. The bypass source supplies the critical load.



### WARNING

Power is present inside the UPS cabinets.



## 10.1.7 UPS and Critical Load Shutdown

To perform maintenance or service on the critical load, shut down power to the load by performing the following procedure:

1. Turn off all equipment that is being powered by the UPS.
2. Perform the LOAD OFF procedure in paragraph 10.1.9.

The input, output, and bypass backfeed contactors open, the battery breaker or disconnect is tripped, and the power module is turned off.

### WARNING



Power is present inside the UPS cabinet until the upstream input feeder circuit breaker is opened.

3. Open the UPS input and bypass (if dual feed) feeder circuit breakers.

## 10.1.8 Charger Control

To turn the battery charger on or off, perform the following procedure:

1. Press the **CONTROLS** pushbutton on the main menu bar. The System Control screen appears.
2. Press the **→** pushbutton to display System Controls Screen 2.
3. Press the **CHGR ON** or **CHGR OFF** pushbutton on the System Controls menu bar to toggle the charger on or off.

## 10.1.9 Using the UPS LOAD OFF Pushbutton

A UPS Load Off is initiated by the **LOAD OFF** pushbutton from the main menu bar or the System Controls menu bar. This pushbutton can be pressed to control the UPS output. The UPS **LOAD OFF** pushbutton de-energizes the critical load and powers down the UPS.

The UPS (including Bypass) remains off until restarted.

To use the **LOAD OFF** pushbutton:

1. Press the **LOAD OFF** pushbutton.

The Load Off screen appears, providing a choice to proceed or abort the shutdown.

### CAUTION



All power to the critical load is lost when the **LOAD OFF** is selected in the following step. You should use this feature only when you want to de-energize the critical load.

2. To shut down the UPS, press **LOAD OFF** from the Load Off menu bar, and hold for three seconds. To abort the shutdown, press **CANCEL**.

When **LOAD OFF** is selected and held for three seconds, the input, output, and bypass backfeed contactors open, the battery breaker or disconnect is tripped, and the power module is turned off.

### CAUTION



Do not attempt to restart the system after Load Off until the cause of the shutdown has been identified and cleared.

3. To restart the UPS after pressing the **LOAD OFF** pushbutton, follow the procedure in paragraph 10.1.1 or 10.1.2.

### 10.1.10 Using the Remote Emergency Power-off Switch

A UPS emergency power-off is initiated by the **REPO** pushbutton switch. In an emergency, you can use this switch to control the UPS output. The REPO switch de-energizes the critical load and powers down the UPS immediately, without asking for verification.

The UPS, including Bypass, remains off until restarted.

#### CAUTION



All power to the critical load is lost when the REPO switch is activated in the following step. You should use this feature only when you want to de-energize the critical load.



**NOTE** *The following instructions are for the Powerware-supplied REPO switch. If a customer-supplied REPO switch is used, it may not activate in the same manner; refer to the operating instructions provided with the switch.*

To use the REPO switch:

1. Press the REPO pushbutton switch.

The input, output, and bypass backfeed contactors open, the battery breaker or disconnect is tripped, and the power module is turned off immediately, without asking for verification.

#### CAUTION



Do not attempt to restart the system after Load Off until the cause of the shutdown has been identified and cleared.

2. To restart the UPS after using the REPO pushbutton, reset the REPO switch and then follow the procedure in paragraph 10.1.1 or 10.1.2.

## 10.2 Multiple Module Parallel Operation

### 10.2.1 Starting the Parallel System in Normal Mode

To start the parallel system, perform the following procedure:

1. Close all uninterruptible power module input feeder circuit breakers.
2. If the UPMs are dual feed, close all UPM Bypass input feeder circuit breakers.
3. Observe all UPM control panel displays becoming active, indicating logic power.
4. Press the **CONTROLS** pushbutton on the main menu bar of any UPM. The System Controls screen appears on each UPM.
5. On the System Controls screen of each UPM, the power module (PM) status should indicate SHUTDOWN.
6. Press the **NORMAL** pushbutton on the System Controls menu bar of any UPM.

If Auto Bypass is enabled, the critical load is immediately supplied by the bypass source, in Bypass mode, until the inverters turn on and the UPMs transfer to Normal mode. The status indicator on each UPM control panel indicates the UPM is in Bypass mode. If Auto Bypass is not enabled, the UPM outputs remain off until the UPMs transfer to Normal mode.

7. Observe the following messages appear sequentially on the power module (PM) status line of each UPM:

```
DC STARTING
INVERTER STARTING
INVERTER SYNCING
READY
ONLINE
```

The rectifier and inverter turn on. The inverter continues to ramp up to full voltage.

8. Close the battery breakers for each UPM any time after INVERTER SYNCING or CLOSE BATTERY appears on the display.

Once the inverter reaches full voltage, and the battery breaker is closed, each UPM output contactor K3 closes and each static switch turns off. Power is now supplied to the critical load in Normal mode. It takes approximately 1 minute for the UPMs to achieve Normal mode.

9. The UPMs are now operating in Normal mode and the **NORMAL** status indicator on each UPM is illuminated.

## 10.2.2 Starting the Parallel System in Bypass Mode

If the inverter output of the UPMs is not available and the critical load needs to be energized, perform the following procedure:



### CAUTION

In Bypass mode, the critical load is not protected from commercial power interruptions and abnormalities.

1. Close all UPM input feeder circuit breakers.
2. If the UPMs are dual feed, close all UPM Bypass input feeder circuit breakers.
3. Observe all UPM control panel displays becoming active, indicating logic power.
4. Press the **CONTROLS** pushbutton on the main menu bar of any UPM. The System Controls screen appears on each UPM.
5. On the System Controls screen of each UPM, the power module (PM) status should indicate SHUTDOWN.
6. Press the **BYPASS** pushbutton on the System Controls menu bar of any UPM.  
The critical load is immediately supplied by the bypass source, in Bypass mode.
7. The UPMs are now operating in Bypass mode and the **BYPASS** status indicator on each UPM is illuminated.

### 10.2.3 Transfer Parallel System from Normal to Bypass Mode

To transfer the critical load to Bypass mode, perform the following procedure:



#### CAUTION

In Bypass mode, the critical load is not protected from commercial power interruptions and abnormalities.

1. Press the **CONTROLS** pushbutton on the main menu bar on any UPM. The System Controls screen appears.
2. Press the **BYPASS** pushbutton on the System Controls menu bar of any UPM.

The UPMs transfer to Bypass mode and the critical load is immediately supplied by the bypass source. If the bypass source is not available, the power processor remains on and an alarm sounds.

3. The UPMs are now operating in Bypass mode and the **BYPASS** status indicator on each UPM is illuminated.

The power module (PM) status indicates READY on each UPM. The system is now on bypass and the UPM power processors remain on.



#### WARNING

Power is present inside the UPM cabinets.

### 10.2.4 Transfer Parallel System from Bypass to Normal Mode

To transfer the critical load to Normal mode, perform the following procedure:

1. Press the **CONTROLS** pushbutton on the main menu bar on any UPM. The System Control screen appears.
2. Press the **NORMAL** pushbutton on the System Controls menu bar of any UPM.

The UPMs transfer to Normal mode. If the power processor is not available, the system remains on bypass and an alarm sounds.

3. The UPMs are now operating in Normal mode, and the **NORMAL** status indicator on each UPM is illuminated.

The power module (PM) status indicates ONLINE on each UPM.

## 10.2.5 Single UPM Shutdown

To shut down a single UPM, perform the following procedure:



**NOTE** *The UPM can be shut down only if remaining UPMs can support the critical load without being overloaded.*

1. Press the **CONTROLS** pushbutton on the main menu bar on the UPM to be shut down. The System Controls screen appears.
2. Press the **→** pushbutton to display System Controls Screen 2.
3. Press the **PM OFF** pushbutton on the System Controls menu bar.

The power module (PM) status indicates SHUTDOWN. The input and output contactors open, the battery breaker or disconnect is tripped, and the power module is turned off.

4. Open the input and bypass (if dual feed) feeder circuit breakers supplying the shutdown UPM.



**NOTE** *The monitor screen continues to be active until the UPM is isolated from the critical bus.*

### WARNING



Power is present inside the shutdown UPM cabinet due to connection to the critical bus, until the UPM output breaker is opened.

5. If it is necessary to isolate the UPM from the critical bus, open the module output breaker on the tie cabinet or distribution panel.

## 10.2.6 Restarting a Single UPM

To restart a single UPM, perform the following procedure:

1. If the UPM was isolated from the critical bus, close the module output breaker on the tie cabinet or distribution panel.
2. Observe the UPM control panel display becoming active, indicating logic power.  
UPM logic is being powered from the critical bus.
3. Close the UPM input feeder circuit breaker.
4. If the UPM is dual feed, close the UPM Bypass input feeder circuit breaker.
5. Press the **CONTROLS** pushbutton on the main menu bar of the UPM. The System Controls screen appears.
6. On the System Controls screen, the power module (PM) status should indicate SHUTDOWN.

7. Press the **NORMAL** pushbutton on the System Controls menu bar of the UPM.
8. Observe the following messages appear sequentially on the power module (PM) status line of the UPM:

DC STARTING  
 INVERTER STARTING  
 INVERTER SYNCING  
 READY  
 ONLINE

The rectifier and inverter turn on. When the inverter reaches full voltage, the UPM synchronizes with the output and closes output contactor K3. The UPM is online and in Normal mode with the **NORMAL** status indicator illuminated and in parallel with the other system UPMs.

9. Close battery breakers for the UPM any time after INVERTER SYNCING or CLOSE BATTERY appears on the display.

## 10.2.7 Parallel System and Critical Load Shutdown

To perform maintenance or service on the critical load, shut down power to the load by performing the following procedure:

### CAUTION



Using the following procedure removes all output from the critical load. You should use this procedure only when you need to de-energize both the parallel system and the critical load.

1. Turn off all equipment that is being powered by the parallel system.
2. Press the **CONTROLS** pushbutton on the main menu bar on any UPM. The System Controls screen appears.
3. Press the **BYPASS** pushbutton on the System Controls menu bar of any UPM.

The UPMs transfer to Bypass mode.

4. Press the → pushbutton to display System Controls Screen 2.
5. Press the **PM OFF** pushbutton on the System Controls menu bar.

The power module (PM) status indicates SHUTDOWN. The input and output contactors open, the battery breaker or disconnect is tripped, and the power module is turned off. The bypass source supplies the critical load.

6. Repeat Steps 2, 4, and 5 for each UPM, except the last UPM



7. To shut down the last UPM, press the **REPO** pushbutton switch. See “Using the Parallel System Remote Emergency Power-off Switch” in paragraph 10.2.9.

The input, output, and bypass backfeed contactors open, the battery breaker or disconnect is tripped, and the power module is turned off immediately, without asking for verification.

8. Open all UPM input and bypass (if dual feed) feeder circuit breakers.

The parallel system and critical load is now de-energized.

9. To restart the parallel system after using the **REPO** pushbutton, reset the **REPO** switch and then follow the procedure in paragraph 10.2.1 or 10.2.2.

## 10.2.8 Using the UPS LOAD OFF Pushbutton



**NOTE** *The UPM **LOAD OFF** pushbutton controls only the UPM on which Load Off was activated and only interrupts the ability of that module to deliver power to the critical bus. The redundant modules continue to support the critical load. The UPM can be shut down only if the remaining UPMs can support the critical load without being overloaded. To remove all power from the critical load, use the **REPO** pushbutton.*

A UPS Load Off is initiated by the **LOAD OFF** pushbutton from the main menu bar or the System Controls menu bar. The UPS **LOAD OFF** pushbutton de-energizes the critical load and powers down the UPS.

The UPS (including Bypass) remains off until restarted.

To use the **LOAD OFF** pushbutton:

1. Press the **LOAD OFF** pushbutton.

The Load Off screen appears, providing a choice to proceed or abort the shutdown.

### CAUTION



All power to the critical load is lost when the **LOAD OFF** is selected in the following step. You should use this feature only when you want to de-energize the critical load.

2. To shut down the UPS, press **LOAD OFF** from the Load Off menu bar, and hold for three seconds. To abort the shutdown, press **CANCEL**.

When **LOAD OFF** is selected and held for three seconds, the input, output, and bypass backfeed contactors open, the battery breaker or disconnect is tripped, and the power module is turned off.

**CAUTION**

Do not attempt to restart the system after Load Off until the cause of the shutdown has been identified and cleared.

3. To restart the UPS after pressing the **LOAD OFF** pushbutton, follow the procedure in paragraph 10.2.1 or 10.2.2.

### 10.2.9 Using the Parallel System Remote Emergency Power-off Switch

A parallel system emergency power-off is initiated by the **REPO** pushbutton switch. In an emergency, you can use this switch to control the UPM outputs. The **REPO** switch de-energizes the critical load and powers down the UPMs immediately, without asking for verification.

The UPMs, including Bypass, remain off until restarted.

**CAUTION**

All power to the critical load is lost when the **REPO** switch is activated in the following step. You should use this feature only when you want to de-energize the critical load.



**NOTE** *The following instructions are for the Powerware-supplied **REPO** switch. If a customer-supplied **REPO** switch is used, it may not activate in the same manner; refer to the operating instructions provided with the switch.*

To use the **REPO** switch:

1. Press the **REPO** pushbutton switch.

The input, output, and bypass backfeed contactors open, the battery breaker or disconnect is tripped, and the power module is turned off immediately, without asking for verification.

**CAUTION**

Do not attempt to restart the system after Load Off until the cause of the shutdown has been identified and cleared.

2. To restart the UPMs after using the **REPO** pushbutton, reset the **REPO** switch and then follow the procedure in paragraph 10.2.1 or 10.2.2.

## Chapter 11 | Using Features and Options

The many standard features of your UPS system provide consistent, economical, and dependable power protection. In addition, you can add available options to enhance the performance of your system. This chapter provides descriptions of some of the features and options introduced earlier in this manual. For location of the customer interface panel and terminals and for terminal wiring information, see:

- ▶ Drawing 164201604-6 on page A-27
- ▶ Drawing 164201604-8 starting on page A-33

### 11.1 Building Alarm Monitoring

This standard feature lets you connect the UPS to your building alarms, such as smoke detectors or overtemperature alarms. The customer interface terminals for external connections are located inside the UPS. You should use twisted-pair wires for each alarm input and common.

The building alarms can be programmed to display the alarm functional name.

### 11.2 General Purpose Relay Contact

One general purpose relay contact is provided as a standard feature on the UPS. The alarm contact is located inside the UPS on the customer interface terminal board.

You can use a normally-closed or normally-open contact. If the state of the contact changes from the state you specify as normal, a signal is issued. You can connect this contact to equipment at your facility (such as a light or an alarm bell) to let you know when an alarm is active on the UPS. This feature is useful if the UPS is located in a remote area where the UPS horn may not be heard immediately.



#### **CAUTION**

Contacts should not be operated in excess of 120 Vac @ 5A maximum.

## 11.3 Optional Remote Monitor Panel II

As an option, a Remote Monitor Panel II (RMP II) can be installed to monitor the operation of the UPS system from virtually any location within the facility, up to 152.4m (500 ft) from the UPS. The RMP II contains backlit status indicators and a local horn. The RMP II can be flush-mounted or surface-mounted on a desktop, or secured to a wall. Figure 11-1 shows an RMP II.

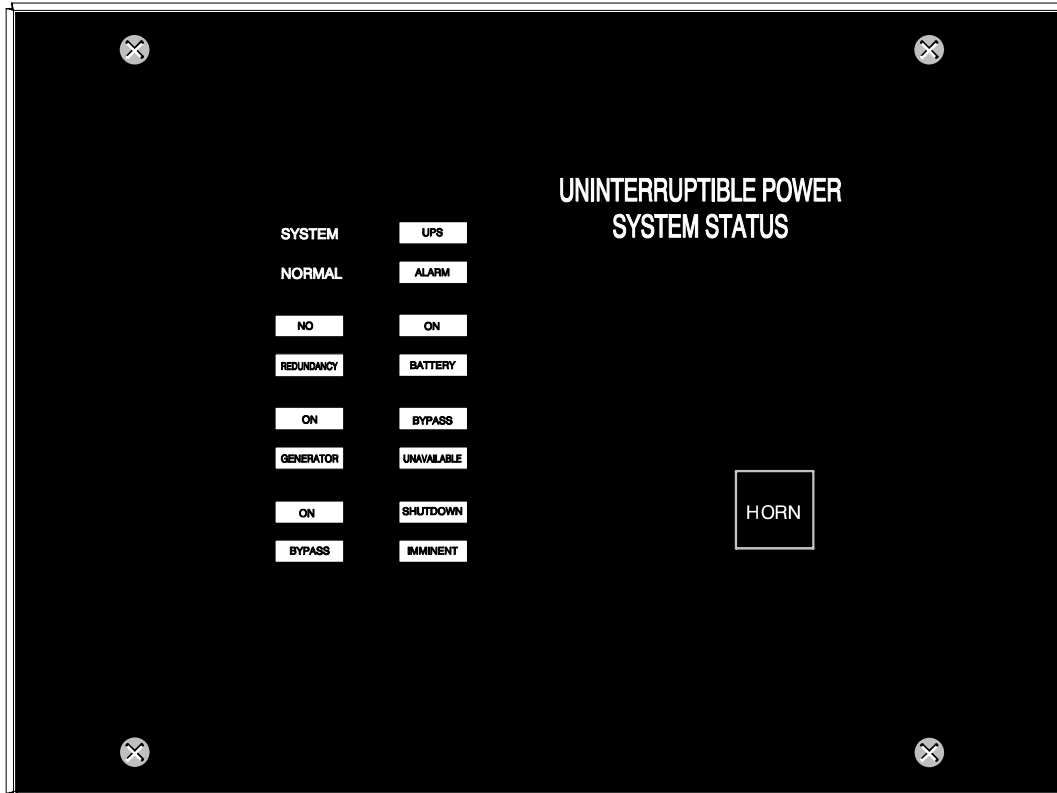


Figure 11-1. Remote Monitor Panel II

The RMP II contains a local horn and the backlit status indicators listed in Table 11-1.

**Table 11-1. RMP II Status Indicators**

**SYSTEM NORMAL**

The UPS is energized (either with utility power or battery backup) and is supplying conditioned power to the critical load.

**NO REDUNDANCY**

This indicator applies only to parallel systems when one cabinet is not functioning.

**ON GENERATOR**

The UPS input and bypass are being supplied by the power from the generator instead of from the utility power.

**ON BYPASS**

The bypass source is supplying the critical load. Usually this means that the UPS is not energized. The load is not protected in Bypass mode, and a horn sounds after 30 seconds.

**UPS ALARM**

The UPS system is issuing an alarm. Conditions that affect the current UPS mode are indicated by the indicators and horn on the UPS.

**ON BATTERY**

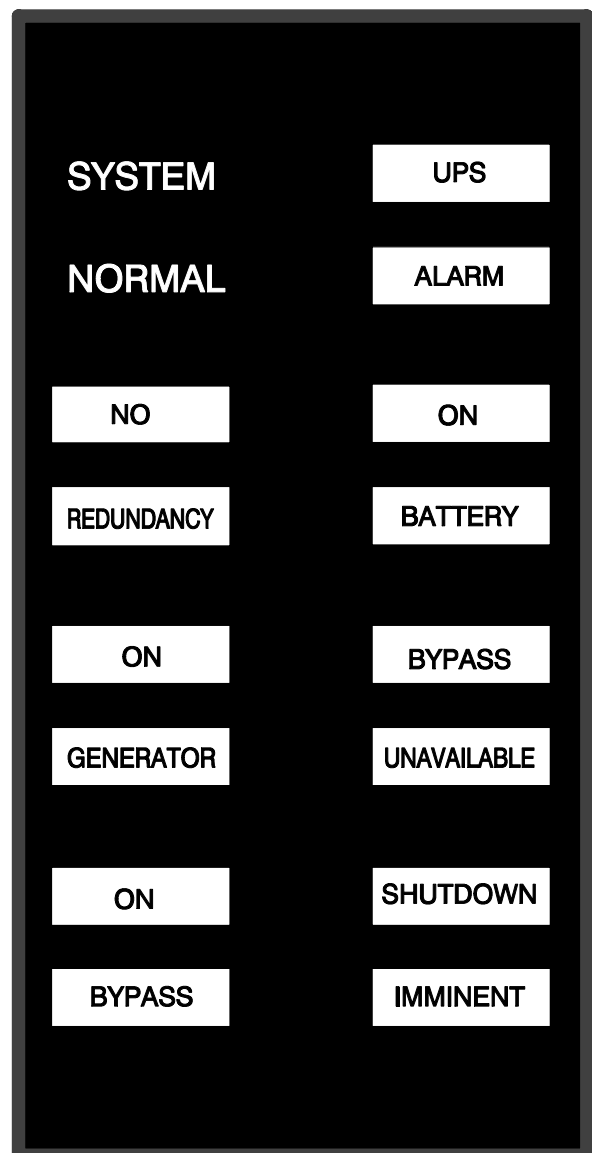
The UPS battery backup is supplying the critical load. The utility power is either interrupted or out of specification. The SYSTEM NORMAL indicator is also illuminated.

**BYPASS UNAVAILABLE**

The UPS system is in Normal mode, but a bypass source is not within specification. A horn sounds after 30 seconds.

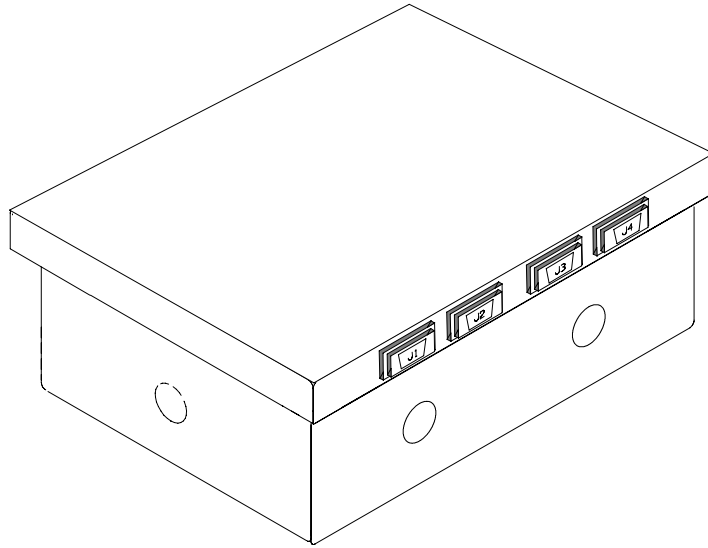
**SHUTDOWN IMMINENT**

The UPS is preparing to shut down because the UPS is in Battery mode and the DC voltage is approaching its low limit. This indicator is accompanied by a horn.



## 11.4 Relay Interface Module II

An optional RIM II uses relay contact closures to indicate the operating status and alarm condition of the UPS system. The RIM II can be flush-mounted or surface-mounted on a desktop, or secured to a wall. Figure 11-2 shows the RIM II with its four 15-pin connectors labeled J1 through J4.



**Figure 11-2. Relay Interface Module II**

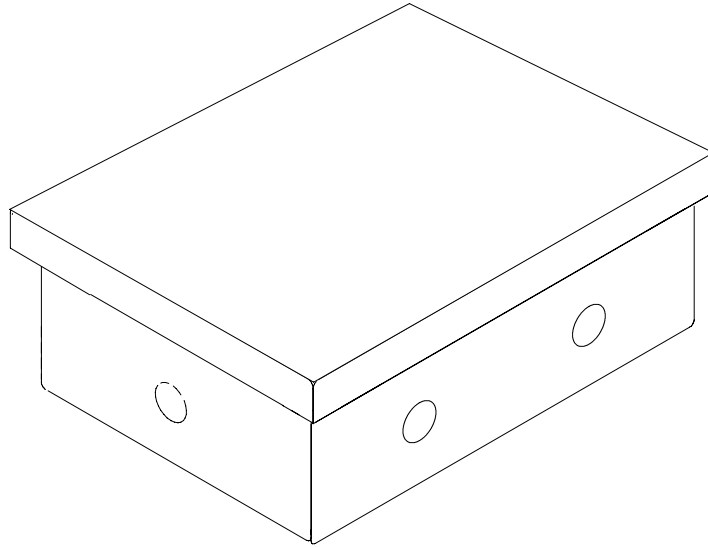
The RIM II can provide the status and alarm signals shown in Table 11-2.

**Table 11-2. Customer Interface Connectors**

Status	J1 through J4	Description
UPS AVAILABLE	Pins 1 and 12	Contacts are closed when the UPS is operating in Normal mode or ready to supply the load.
UPS OFFLINE	Pins 3 and 13	Contacts are open when the UPS is offline. Contacts are closed when the UPS is operating in Normal mode.
BATTERY WEAK	Pins 5 and 14	Contacts are closed when approximately two minutes of battery time is remaining, before the critical load is lost.
UTILITY FAILURE	Pins 6 and 15	Contacts are closed when Utility Failure is detected.

## 11.5 Supervisory Contact Module II

An optional SCM II establishes an interface between the UPS system and the customer's monitor. This interface allows the customer to monitor operational status of the UPS system equipment. The SCM II can be flush-mounted or surface-mounted on a desktop, or secured to a wall. Figure 11-3 shows the SCM II.



**Figure 11-3. Supervisory Contact Module II**

The SCM II provides signals for the indications shown in Table 11-3.

**Table 11-3. SCM II Status Indicators and Connections**

Indication	TB-2 Connections
SYSTEM NORMAL	TB2-1 through TB2-3
NO REDUNDANCY	TB2-4 through TB2-6
ON GENERATOR	TB2-7 through TB2-9
BYPASS NOT AVAILABLE	TB2-10 through TB2-12
ON BATTERY	TB2-13 through TB2-15
UPS ALARM	TB2-16 through TB2-18
ON BYPASS	TB2-19 through TB2-21
SHUTDOWN IMMINENT	TB2-22 through TB2-24

**This page intentionally left blank.**



## Chapter 12 | Responding to System Events

### 12.1 General

When the UPS system is running in Normal mode, it continually monitors itself and the incoming utility power. In Battery or Bypass modes, the UPS may issue alarms to let you know exactly what event caused the change from Normal mode. System events on the UPS can be indicated by horns, lights, messages, or all three.

Select **Events** from the menu bar on the Main Menu screen to look at the Active System Events screen. This screen shows any currently active alarms, notices, or commands. For more information on using the Events screen, see paragraph 9.2.2, “Event Screens.”

### 12.2 System Event Horns

The system event horn beeps to alert an operator that an event needing attention is taking place. Horn 1 cycles at a one-second rate.

### 12.3 System Event Indicators

The status indicators on the UPS control panel work in conjunction with the event horn to let you know when the UPS system is operating in any mode other than Normal. Only the Normal indicator is visible during normal UPS system operation. The other indicators illuminate to indicate alarms or events. When an alarm occurs, you should first check these indicators to see what type of event has taken place. For descriptions of the status indicators, see paragraph 9.5, “Reading the Status Indicators.”

### 12.4 System Event Messages

When a system event occurs, a message appears on the LCD in the UPS status area. This message is also written to the Active Events log and may be added to the Events History log. The messages are divided into four categories: alarms, notices, status, and commands. The following tables contain the events displayed on the Events screen of the control panel.

ALARMS					
Message	Horn	Phone	Relay	Log*	Indication
Battery Totally Discharged	1	No	1	HA	Shutdown Imminent
Battery Totally Discharged OK	Off	No	1	HA	Condition Cleared
Building Alarm 1	1	No	1	HA	User Action Required
Building Alarm 1 OK	Off	No	1	HA	Condition Cleared
Building Alarm 2	1	No	1	HA	User Action Required
Building Alarm 2 OK	Off	No	1	HA	Condition Cleared
Check Bypass	1	1	1	HA	Service Required
Check Bypass OK	Off	No	1	HA	Condition Cleared
Check Bypass Switchgear	1	No	1	HA	Service Required
Check Bypass Switchgear OK	Off	No	1	HA	Condition Cleared
Check Charger	1	1	1	HA	Service Required
Check Charger OK	Off	No	1	HA	Condition Cleared
Check Fan	1	No	1	HA	Service Required
Check Fan OK	Off	No	1	HA	Condition Cleared
Check Input Switchgear	1	1	1	HA	Service Required
Check Input Switchgear OK	Off	No	1	HA	Condition Cleared
Check Inv Temperature Sensor	1	No	1	HA	Service Required
Check Inv Temperature Sensor OK	Off	No	1	HA	Condition Cleared
Check Inverter	1	1	1	HA	Service Required
Check Logic Power Supply	1	No	1	HA	Service Required
Check Logic Power Supply OK	Off	No	1	HA	Condition Cleared
Check Output Switchgear	1	No	1	HA	Service Required
Check Output Switchgear OK	Off	No	1	HA	Condition Cleared
Check Power Supply	1	1	1	HA	Service Required
Check Power Supply OK	Off	No	1	HA	Condition Cleared
Check Precharge	1	No	1	HA	Service Required
Check Precharge OK	Off	No	1	HA	Condition Cleared
Check Rect Temperature Sensor	1	No	1	HA	Service Required
Check Rect Temperature Sensor OK	Off	No	1	HA	Condition Cleared
Check Rectifier	1	1	1	HA	Service Required
Check Static Switch	1	1	1	HA	Service Required
Check Static Switch OK	Off	No	1	HA	Condition Cleared
Close Battery Switchgear	1	1	1	HA	User Action Required
Close Battery Switchgear OK	Off	No	1	HA	Condition Cleared

\*Log codes indicate where the UPS records the event: H = History log; HA = History and Active logs; and A = Active log only.

ALARMS					
Message	Horn	Phone	Relay	Log*	Indication
Configuration Error	1	No	1	HA	Service Required
Configuration Error OK	Off	No	1	HA	Condition Cleared
External Comm Failure	1	No	1	HA	Service Required
External Comm Failure OK	Off	No	1	HA	Condition Cleared
Internal Comm Failure	1	No	1	HA	Service Required
Internal Comm Failure OK	Off	No	1	HA	Condition Cleared
Invalid Board ID	1	No	1	HA	Service Required
Invalid Board ID OK	Off	No	1	HA	Condition Cleared
Inverter L1 Current Limit	1	No	1	HA	Service Required
Inverter L2 Current Limit	1	No	1	HA	Service Required
Inverter L3 Current Limit	1	No	1	HA	Service Required
Inverter Output Failure	1	1	1	HA	Service Required
Inverter Output Failure OK	Off	No	1	HA	Condition Cleared
Inverter Overtemperature	1	No	1	HA	Service Required
Inverter Overtemperature OK	Off	No	1	HA	Condition Cleared
Inverter Overtemperature Trip	1	No	1	HA	Service Required
Inverter Overtemperature Trip OK	Off	No	1	HA	Condition Cleared
L1 Overload	1	No	1	HA	User Action Required
L1 Overload OK	Off	No	1	HA	Condition Cleared
L1 Overload (Extreme Level)	1	No	1	HA	User Action Required
L1 Overload (Extreme Level) OK	Off	No	1	HA	Condition Cleared
L1 Overload (High Level)	1	No	1	HA	User Action Required
L1 Overload (High Level) OK	Off	No	1	HA	Condition Cleared
L2 Overload	1	No	1	HA	User Action Required
L2 Overload OK	Off	No	1	HA	Condition Cleared
L2 Overload (Extreme Level)	1	No	1	HA	User Action Required
L2 Overload (Extreme Level) OK	Off	No	1	HA	Condition Cleared
L2 Overload (High Level)	1	No	1	HA	User Action Required
L2 Overload (High Level) OK	Off	No	1	HA	Condition Cleared
L3 Overload	1	No	1	HA	User Action Required
L3 Overload OK	Off	No	1	HA	Condition Cleared
L3 Overload (Extreme Level)	1	No	1	HA	User Action Required
L3 Overload (Extreme Level) OK	Off	No	1	HA	Condition Cleared

\*Log codes indicate where the UPS records the event: H = History log; HA = History and Active logs; and A = Active log only.

ALARMS					
Message	Horn	Phone	Relay	Log*	Indication
L3 Overload (High Level)	1	No	1	HA	User Action Required
L3 Overload (High Level) OK	Off	No	1	HA	Condition Cleared
Low Battery Shutdown	1	No	1	HA	User Action Required
Low Battery Shutdown OK	Off	No	1	HA	Condition Cleared
Not Enough UPMs	1	No	1	HA	User Action Required
Not Enough UPMs OK	Off	No	1	HA	Condition Cleared
Output Overload	1	No	1	HA	User Action Required
Output Overload OK	Off	No	1	HA	Condition Cleared
Output Watts Overload	1	No	1	HA	User Action Required
Output Watts Overload OK	Off	No	1	HA	Condition Cleared
Parallel System Overload	1	No	1	HA	User Action Required
Parallel System Overload OK	Off	No	1	HA	Condition Cleared
Rect Overtemperature Trip	1	No	1	HA	Service Required
Rect Overtemperature Trip OK	Off	No	1	HA	Condition Cleared
Rectifier Overtemperature	1	No	1	HA	Service Required
Rectifier Overtemperature OK	Off	No	1	HA	Condition Cleared
Remote Emergency Power-off	1	No	1	HA	User Action Required
Remote Emergency Power-off OK	Off	No	1	HA	Condition Cleared
Selective Trip	1	1	1	HA	Service Required
Selective Trip OK	Off	No	1	HA	Condition Cleared
Shutdown Imminent	1	No	1	HA	User Action Required
Shutdown Imminent OK	Off	No	1	HA	Condition Cleared
Software Incompatibility	1	No	1	HA	Service Required
Software Incompatibility OK	Off	No	1	HA	Condition Cleared
Utility Out Of Limits	1	No	1	HA	User Action Required
Utility Out Of Limits OK	Off	No	1	HA	Condition Cleared

\*Log codes indicate where the UPS records the event: H = History log; HA = History and Active logs; and A = Active log only.

NOTICES					
Message	Horn	Phone	Relay	Log*	Indication
Automatic Shutdown Pending	1	No	No	A	Information Only
Automatic Shutdown Pending OK	Off	No	No	A	Condition Cleared
Automatic Startup Pending	1	No	No	A	Information Only
Battery Current Limit	1	No	No	HA	Information Only
Battery Current Limit OK	Off	No	No	HA	Condition Cleared
Battery Voltage High	1	1	No	HA	Information Only
Battery Voltage High OK	Off	No	No	HA	Condition Cleared
Battery Voltage Low	1	No	No	HA	Information Only
Battery Voltage Low OK	Off	No	No	HA	Condition Cleared
Bypass AC Over Voltage	1	No	No	HA	Information Only
Bypass AC Over Voltage OK	Off	No	No	HA	Condition Cleared
Bypass AC Under Voltage	1	No	No	HA	Information Only
Bypass AC Under Voltage OK	Off	No	No	HA	Condition Cleared
Bypass Phase Rotation	1	No	No	HA	Information Only
Bypass Phase Rotation OK	Off	No	No	A	Condition Cleared
Bypass Source Out of Tolerance	1	No	No	HA	Investigate UPS
Bypass Source Out of Tolerance OK	Off	No	No	HA	Condition Cleared
Bypass Under or Over Frequency	1	No	No	HA	Information Only
Bypass Under or Over Frequency OK	Off	No	No	HA	Condition Cleared
Charger Off Command	1	No	No	HA	Information Only
Charger On Command	1	No	No	HA	Information Only
Charger Over Voltage or Current	1	No	No	HA	Information Only
Charger Tripped	1	No	No	HA	Information Only
Charger Tripped OK	Off	No	No	HA	Condition Cleared
Check Battery	1	No	No	HA	Information Only
Check Battery OK	Off	No	No	HA	Condition Cleared
Check Modem	1	No	No	HA	Information Only
Check Modem OK	Off	No	No	HA	Condition Cleared
DC Link Over Voltage	1	1	No	HA	Information Only
DC Link Over Voltage OK	Off	No	No	A	Condition Cleared
DC Link Under Voltage	1	No	No	HA	Information Only
DC Link Under Voltage OK	Off	No	No	HA	Condition Cleared
Emergency Transfer To Bypass	1	No	No	HA	Information Only
Emergency Transfer To Bypass OK	Off	No	No	A	Condition Cleared

\*Log codes indicate where the UPS records the event: H = History log; HA = History and Active logs; and A = Active log only.

NOTICES					
Message	Horn	Phone	Relay	Log*	Indication
Input AC Over Voltage	1	No	No	HA	Information Only
Input AC Over Voltage OK	Off	No	No	HA	Condition Cleared
Input AC Under Voltage	1	No	No	HA	Information Only
Input AC Under Voltage OK	Off	No	No	HA	Condition Cleared
Input Phase Rotation	1	No	No	HA	Information Only
Input Phase Rotation OK	Off	No	No	HA	Condition Cleared
Input Under or Over Frequency	1	No	No	HA	Information Only
Input Under or Over Frequency OK	Off	No	No	HA	Condition Cleared
Inv Under or Over Frequency	1	No	No	HA	Information Only
Inv Under or Over Frequency OK	Off	No	No	HA	Condition Cleared
Inverter AC Over Voltage	1	No	No	HA	Information Only
Inverter AC Over Voltage OK	Off	No	No	HA	Condition Cleared
Inverter AC Under Voltage	1	No	No	HA	Information Only
Inverter AC Under Voltage OK	Off	No	No	HA	Condition Cleared
Inverter Off Command	1	No	No	A	Information Only
Inverter On Command	1	No	No	HA	Information Only
Inverter Output Overcurrent	1	No	No	HA	Information Only
Inverter Phase Rotation	1	No	No	HA	Information Only
Inverter Phase Rotation OK	Off	No	No	HA	Condition Cleared
Load Dumped (Load Power Off)	1	1	No	HA	Investigate UPS
Load Dumped (Load Power Off) OK	Off	No	No	HA	Condition Cleared
Load Off Command Executed	1	No	No	HA	Information Only
Load Power On Command	1	No	No	HA	Information Only
Load Power On Command Received	1	No	No	HA	Information Only
Loss of Redundancy	1	No	No	HA	Information Only
Loss of Redundancy OK	Off	No	No	HA	Condition Cleared
Maintenance Bypass Mode	1	No	No	HA	Information Only
Modem Call Completion Failed	1	No	No	HA	Information Only
Neutral Current Limit	1	No	No	HA	Information Only
Neutral Current Limit OK	Off	No	No	HA	Condition Cleared
Non-Volatile Memory Failure	1	No	No	A	Information Only
Non-Volatile Memory Failure OK	Off	No	No	A	Condition Cleared
Output AC Over Voltage	1	No	No	HA	Information Only
Output AC Over Voltage OK	Off	No	No	HA	Condition Cleared

\*Log codes indicate where the UPS records the event: H = History log; HA = History and Active logs; and A = Active log only.

NOTICES					
Message	Horn	Phone	Relay	Log*	Indication
Output AC Under Voltage	1	No	No	HA	Information Only
Output AC Under Voltage OK	Off	No	No	HA	Condition Cleared
Output Under or Over Frequency	1	No	No	HA	Information Only
Output Under or Over Frequency OK	Off	No	No	HA	Condition Cleared
Rectifier Current Over 125%	1	No	No	A	Information Only
Rectifier Input Over Current	1	No	No	A	Information Only
UPS Module Off	1	No	No	A	Information Only
UPS Module Off OK	Off	No	No	A	Condition Cleared
UPS on Battery	1	No	No	A	Investigate UPS
UPS on Battery OK	Off	No	No	A	Condition Cleared
UPS on Bypass	1	No	No	A	Investigate UPS
UPS on Bypass OK	Off	No	No	A	Condition Cleared
UPS on Generator	1	No	No	A	Information Only
UPS on Generator OK	Off	No	No	A	Condition Cleared

\*Log codes indicate where the UPS records the event: H = History log; HA = History and Active logs; and A = Active log only.

Message	STATUS				
	Horn	Phone	Relay	Log*	Indication
Battery Switchgear Closed	No	No	No	H	User Status
Battery Switchgear Open	No	No	No	H	User Status
Bypass Switchgear Closed	No	No	No	H	User Status
Bypass Switchgear Open	No	No	No	H	User Status
Charger Status Off	No	No	No	H	User Status
Charger Status On	No	No	No	H	User Status
Check Heatsink Temp Sensor	No	No	No	No	Service Status
Check Heatsink Temp Sensor OK	No	No	No	No	User Status
Control Power Status Off	No	No	No	No	User Status
Control Power Status On	No	No	No	No	User Status
Heatsink Overtemperature	No	No	No	No	Service Status
Heatsink Overtemperature OK	No	No	No	No	User Status
Incoming Modem Call Started	No	No	No	H	User Status
Inverter Status Off	No	No	No	No	User Status
Inverter Status On	No	No	No	No	User Status
Modem Call Completed Successfully	No	No	No	H	User Status
Modem Connection Established	No	No	No	H	User Status
Outgoing Modem Call Started	No	No	No	H	User Status
Output Switchgear Open	No	No	No	H	User Status
Output Switchgear Open OK	No	No	No	H	User Status
Rectifier Phase L1 Current Limit	No	No	No	H	Service Status
Rectifier Phase L2 Current Limit	No	No	No	H	Service Status
Rectifier Phase L3 Current Limit	No	No	No	H	Service Status
Rectifier Status Off	No	No	No	H	User Status
Rectifier Status On	No	No	No	H	User Status
Rectifier Switchgear Closed	No	No	No	No	User Status
Rectifier Switchgear Open	No	No	No	No	User Status
Rectifier Tripped	No	No	No	H	User Status
System Alarm Active	No	No	1	No	User Status
System Notice Active	No	No	No	No	User Status
UPS Normal	No	No	No	H	User Status

\*Log codes indicate where the UPS records the event: H = History log; HA = History and Active logs; and A = Active log only.



Message	COMMAND				
	Horn	Phone	Relay	Log*	Indication
Load Off Command Received	Yes	No	No	H	Information Only
To Normal Mode Command	No	No	No	H	Information Only
To Bypass Command	No	No	No	H	Information Only

\*Log codes indicate where the UPS records the event: H = History log; HA = History and Active logs; and A = Active log only.

**This page intentionally left blank.**

## Chapter 13 | Communication

This chapter describes the communication features of the Powerware 9390 100–160 kVA UPS and provides information about connecting hardware and using Terminal mode.

### 13.1 X-Slot Cards

The Powerware 9390 UPS has a standard, factory-installed X-Slot communication bay with two slots. An optional second bay is available, providing two additional slots. See Drawing 164201604-8 starting on page A-33 for bay locations. The UPS is compatible with the following X-Slot cards (see Figure 13-1):

- ▶ Modbus Card - provides direct integration of UPS information (meters and status) to a Building Management System (BMS) using the Modbus RTU protocol.
- ▶ ConnectUPS-X Web/SNMP Card - provides remote monitoring through a Web browser interface, e-mail, and a network management system using SNMP; connects to a twisted-pair Ethernet (10/100BaseT) network. It has a built-in switching hub that allows three additional network devices to be connected to the network without the requirement of additional network drops. This card is provided as standard equipment with the UPS.



---

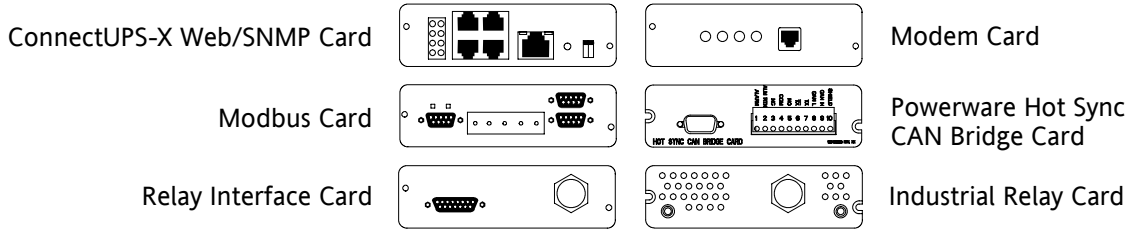
**NOTE** *The Modem Card cannot be installed in X-Slot 2. If the UPS has only two X-Slots, move the ConnectUPS-X Web/SNMP Card to X-Slot 2 and install the Modem Card in X-Slot 1.*

---

- ▶ Modem Card - provides “out-of-band” remote notification and monitoring using modem communication directly to cell phones and pagers.
- ▶ Relay Interface Card (AS/400) - has isolated dry contact (Form-C) relay outputs for UPS status: Utility failure, Low battery, UPS alarm/OK, or On bypass when interfacing with IBM® AS/400 computers, other relay connected computers, and industrial applications.
- ▶ Industrial Relay Card (IRC) - indicates the operating status of the UPS system using the customer’s monitoring equipment. The IRC uses four isolated normally-open or normally-closed dry relay contacts to indicate the UPS status. Normal, Bypass, Battery, and Alarm modes can be monitored.
- ▶ Powerware Hot Sync Computer Area Network (CAN) Bridge Card - provides connectivity for operational mode control and metering of a parallel system at any UPM in the system. In addition, this card can be used to connect optional system monitoring devices, such as a Remote Monitor Panel II, a Relay Interface Module II, or a Supervisory Contact Module II to the UPS.

LAN and telephone drops for use with X-Slot connectivity cards must be provided by facility planners or the customer.

For installation and setup of an X-Slot card, please contact Powerware (see page 1-6). Refer to the manual supplied with the X-Slot card for user instructions.



**Figure 13-1. Optional X-Slot Cards**

## 13.2 LanSafe Power Management Software

Each Powerware 9390 UPS ships with LanSafe Power Management Software. To begin installing LanSafe software, see the instructions accompanying the Powerware Software Suite CD.

LanSafe software uses an RS-232 serial link to communicate with the UPS. The software provides up-to-date graphics of UPS power and system data and power flow, a complete record of critical power events, and notification of important UPS or power information. With custom views for monitoring status and metering information, various user groups can select the most useful view for their specific needs.

## 13.3 Remote Notification

For connection and setup of a modem, or to enable Remote Notify and Call Home features within the UPS, please contact Powerware (see page 1-6).

Remote Notification provides the UPS with the capability to use a standard off-the-shelf PC modem as a telephone interface. The features provided by this option are:

- ▶ Call a remote terminal or pager based on programmable events and alarms
- ▶ Four separate, programmable notification groups (phone numbers)
- ▶ Automatic answering (user-configurable) for access to the Terminal mode of the UPS
- ▶ Remote and local ability to clear Call Out alarms and events
- ▶ Error detection and correction for misconfigured and disconnected modems.

Remote Notification provides the user with the option of receiving alarms and notices at a remote location. Using the Terminal mode, the user calls the UPS to perform basic monitoring. In the event of a UPS alarm or notice, the user is notified at the remote location. The UPS calls through the modem to the user's computer or pager and leaves a message.

Remote Notification is an extension of the Terminal mode with the additional support algorithms necessary to control an external modem. Connection to the UPS is made when a user calls the UPS on the phone. The user has exactly the same capabilities as if using a terminal connected directly to an RS-232 port.

Remote Notification differs from the basic Terminal mode with the addition the following functions:

▶ Call Answer

The Call Answer function allows the user to call into the UPS from a remote location and enter Terminal mode.

▶ Call Out

The Call Out function allows the UPS to be configured to call either a remote computer or numeric paging service over the phone line. Call Out allows the UPS to call a remote computer and leave a one-line descriptive message of the alarm or notice condition. Numeric paging support allows the UPS to call a paging service and send numeric messages.

▶ Housekeeping

The Housekeeping function maintains the link between the UPS and modem.

## 13.4 Terminal Mode




---

**NOTE** *The brackets ([ ]) in the following bullets indicate standard keyboard characters. To use a key combination, hold down the Escape key and press the indicated letter key.*

---

In Terminal mode, the user can request the following:

- ▶ [ESC] [V] displays the UPS control panel.
- ▶ [ESC] [H] displays the Event History.
- ▶ [ESC] [N] displays the Node Bits Setup.
- ▶ [ESC] [L] displays any new event.
- ▶ [ESC] [B] displays the Battery Log.

### 13.4.1 Display UPS Control Panel

When this function is invoked, a facsimile of the UPS control panel is displayed on the terminal screen. All controls are functional and can control the UPS remotely. The only exception is the Load Off control which requires the operator to press and hold the local control for two seconds to shut down the UPS.

To remotely control the UPS or view UPS information, use the escape key legend to control the function normally controlled by the control panel softkeys. See Chapter 9, “Using the Control Panel,” for instructions on navigating the control panel.

## 13.4.2 Event History Log

This key sequence prints the entire Event History Log of the UPS at the time the data is requested. The printout begins with the oldest alarm entry in the queue and ends with the most recent. Any alarms that occur while the Event History Log is printing are included in chronological order.

The Event History Log lists up to 500 system events in chronological order with the most recent event listed last. Figure 13-2 shows a sample Event History Log printout.

In this mode, system events are continually logged through the serial port to the device connected to the port.

The printed log entries contain a time and date stamp and the alarm text message. Terminal mode uses this format for printing alarm entries:

```
MM DD YYYY   HH:MM:SS.hh   KYWD   MESSAGE   <CR> <LF>
```

Where:	Equals:
MM	Month (2 digits)
DD	Day (2 digits)
YYYY	Year (4 digits)
HH	Hour (2 digits)
MM	Minute (2 digits)
SS	Second (2 digits)
hh	Hundredths of Second (3 digits)
KYWD	Keyword (ALARM, NOTICE, COMMAND, or STATUS)
MESSAGE	System Diagnostic Information
<CR>	Carriage Return Character (ASCII 13)
<LF>	Line Feed (ASCII 10)

An alarm message is prefixed by the word “CLEAR” whenever an alarm is entered into the Event History Log with a cleared status.

If a port is operating in Terminal mode and is connected to a computer, you can press **[Esc] [H]** to print the entire log with a firmware version header.

```

03/11/2004 14:13:03.000 STATUS: CSB Power Supply On
03/11/2004 14:13:03.043 NOTICE: Inverter Initializing
03/11/2004 14:13:05.721 STATUS: UPS Power Supply OK
03/11/2004 14:13:05.728 NOTICE: Input Under Voltage
03/11/2004 14:13:05.729 NOTICE: Output Under Voltage
03/11/2004 14:13:05.729 NOTICE: Bypass Under Voltage
03/11/2004 14:13:05.749 ALARM: Rectifier Under Voltage
03/11/2004 14:13:10.459 ALARM: Battery Under Voltage
03/11/2004 14:13:12.954 NOTICE: Battery Voltage Low
03/11/2004 14:13:13.165 NOTICE: Battery Not Present
03/11/2004 14:13:34.710 STATUS: PPU Shutdown
03/11/2004 14:13:57.773 NOTICE: Check Modem
03/11/2004 14:14:33.520 ALARM: Inverter Tripped
03/11/2004 14:14:33.520 ALARM: Check Inverter
03/11/2004 14:27:09.000 STATUS: CSB Power Supply On
03/11/2004 14:27:09.043 NOTICE: Inverter Initializing
03/11/2004 14:27:11.725 STATUS: UPS Power Supply OK
03/11/2004 14:27:11.733 NOTICE: Input Under Voltage
03/11/2004 14:27:11.733 NOTICE: Output Under Voltage
03/11/2004 14:27:11.733 NOTICE: Bypass Under Voltage
03/11/2004 14:27:11.754 ALARM: Rectifier Under Voltage
03/11/2004 14:27:16.464 ALARM: Battery Under Voltage
03/11/2004 14:27:18.954 NOTICE: Battery Voltage Low
03/11/2004 14:27:19.169 NOTICE: Battery Not Present
03/11/2004 14:27:40.714 STATUS: PPU Shutdown
03/11/2004 14:28:04.023 NOTICE: Check Modem
03/12/2004 14:15:09.000 STATUS: CSB Power Supply On
03/12/2004 14:15:09.043 NOTICE: Inverter Initializing
03/12/2004 14:15:11.725 STATUS: UPS Power Supply OK
03/12/2004 14:15:11.733 NOTICE: Input Under Voltage
03/12/2004 14:15:11.733 NOTICE: Output Under Voltage
03/12/2004 14:15:11.754 ALARM: Rectifier Under Voltage
03/12/2004 14:15:11.833 NOTICE: Maintenance Bypass On
03/12/2004 14:15:16.463 ALARM: Battery Under Voltage
03/12/2004 14:15:18.954 NOTICE: Battery Voltage Low
03/12/2004 14:15:19.169 NOTICE: Battery Not Present
03/12/2004 14:15:40.714 STATUS: PPU Shutdown
03/12/2004 14:16:04.023 NOTICE: Check Modem
03/12/2004 14:16:22.925 CMD: Bypass Mode Command
03/12/2004 14:16:23.443 STATUS: K5 (Backfeed) Closed
03/12/2004 14:16:23.586 STATUS: On Bypass
03/12/2004 14:16:24.860 NOTICE: Output Under Voltage OK
03/12/2004 14:17:20.900 NOTICE: Input Under Voltage OK
03/12/2004 14:17:23.606 ALARM: Rectifier Under Voltage OK
03/12/2004 14:17:25.557 ALARM: Battery Under Voltage OK
03/12/2004 14:19:01.899 CMD: PPU On Command
03/12/2004 14:19:04.089 STATUS: K1 (Input) Closed

```

**Figure 13-2. Sample Event History Log**

**This page intentionally left blank.**



## Chapter 14 | Maintaining the UPS System

The components inside the UPS cabinet are secured to a sturdy metal frame. All repairable parts and assemblies are located for easy removal, with very little disassembly. This design allows authorized service personnel to perform routine maintenance and servicing quickly.

You must schedule periodic performance checks of your UPS system to keep it running properly. Regular routine checks of operation and system parameters enable your system to function efficiently for many trouble-free years.

### 14.1 Important Safety Instructions

Remember that your UPS system is designed to supply power **EVEN WHEN DISCONNECTED FROM THE UTILITY POWER**. The UPS module interiors are unsafe until the DC power source is disconnected and the electrolytic capacitors are discharged. After disconnecting the utility power and the DC power, authorized service personnel should wait at least five minutes for capacitor bleedoff before attempting internal access to the UPS module.

#### WARNING



- ▶ Servicing and maintenance should be performed by qualified service personnel only.
- ▶ **LETHAL VOLTAGE PRESENT.** This unit should not be operated with the cabinet doors open or protective panels removed. Do not make any assumptions about the electrical state of any cabinet in the UPS system.

Since each battery string is an energy source in itself, opening the battery circuit breaker does not de-energize the voltage within the battery string. **DO NOT ATTEMPT TO ACCESS ANY INTERNAL AREA OF THE BATTERY STRING YOURSELF. VOLTAGES ARE ALWAYS PRESENT IN THE BATTERY STRING.** If you suspect that a battery string needs service, you should contact your Eaton service representative.

If the string requires service, refer to the battery manufacturer's operating manual for instructions on battery maintenance or contact your Eaton service representative.

Observe these precautions when working on or around batteries:

- ▶ Remove watches, rings, or other metal objects.
- ▶ Use tools with insulated handles.
- ▶ Wear rubber gloves and boots.
- ▶ Do not lay tools or metal parts on top of batteries or battery cabinets.
- ▶ Disconnect the charging source prior to connecting or disconnecting terminals.

- ▶ Determine if the battery is inadvertently grounded. If it is, remove the source of the ground. Contact with any part of a grounded battery can result in electrical shock. The likelihood of such shock is reduced if such grounds are removed during installation and maintenance.
- ▶ When replacing batteries, use the same number of sealed, lead-acid batteries.
- ▶ Proper disposal of batteries is required. Refer to your local codes for disposal requirements.

### WARNING



- ▶ HAZARDOUS WASTE. Do not incinerate or dispose of batteries indiscriminately. Observe local and national codes.
- ▶ Do not dispose of battery or batteries in a fire. The battery may explode.
- ▶ Do not open or mutilate the battery or batteries. Released electrolyte is harmful to the skin and eyes, and may be toxic.
- ▶ A battery can cause electrical shock, burn from high short-circuit current, or fire. Observe proper precautions.

### ATTENTION!



- ▶ Une batterie peut présenter un risque de choc électrique, de brûlure, ou d'incendie. Suivre les précautions qui s'imposent.
- ▶ Pour le remplacement, utiliser le même nombre et modèle des batteries.
- ▶ L'élimination des batteries est réglementée. Consulter les codes locaux à cet effet.

## 14.2 Performing Preventive Maintenance

The UPS system requires very little preventive maintenance. However, the system should be inspected periodically to verify that the units are operating normally and that the batteries are in good condition.

### 14.2.1 DAILY Maintenance

Perform the following steps daily:

1. Check the area surrounding the UPS system. Ensure the area is not cluttered, allowing free access to the unit.
2. Ensure the air intakes (vents on the front doors) and exhaust opening (on top of the UPS cabinet sections) are not blocked.

3. Ensure the operating environment is within the parameters specified in Chapter 15, “Product Specifications,” and Drawing 164201604-2 on page A-3.
4. Ensure the UPS is in Normal mode (Normal status indicator is illuminated). If an alarm lamp is illuminated or the Normal status indicator is not illuminated, contact your Eaton service representative.

## 14.2.2 MONTHLY Maintenance

Perform the following steps monthly:

1. Monitor system parameters as described in Chapter 9, “Using the Control Panel.”
2. Check the air filters (located behind the front doors) and replace as necessary. The left filter size is 16" × 30" × 1" and the right filter size is 12" × 30" × 1". To remove the filters:
  - a. Open the front door latch and swing the doors open.
  - b. Slide each filter up and remove from the cabinet.
  - c. Slide the new filters into the brackets until seated on the bottom brackets.
  - d. Close the doors and secure the latch.
3. Record the check results and any corrective actions in a suitable log.

## 14.2.3 ANNUAL Maintenance

Annual preventive maintenance should be performed only by authorized service personnel familiar with maintenance and servicing of the UPS system. Contact your Eaton service representative for more information about service offerings.

## 14.2.4 BATTERY Maintenance

Contact your Eaton service representative for battery maintenance. Battery replacement and maintenance should be performed only by authorized service personnel.

## 14.3 Maintenance Training

A basic training course, available from Powerware, gives you a competent working knowledge of the UPS system operation and teaches you how to perform first level corrective maintenance. For more information about training and other services, contact the Eaton Help Desk for Powerware products (see page 1-6).

**This page intentionally left blank.**

# Chapter 15 | Product Specifications

## 15.1 Model Numbers

The UPS systems are housed in free-standing cabinets with safety shields behind the doors. The UPS systems are available in 50/60 Hz with various output power ratings.

Models	Power Rating	Frequency
Powerware 9390-120/100	100 kVA	50/60 Hz
Powerware 9390-120/120	120 kVA	50/60 Hz
Powerware 9390-160/100	100 kVA	50/60 Hz
Powerware 9390-160/120	120 kVA	50/60 Hz
Powerware 9390-160/160	160 kVA	50/60 Hz

The following sections detail the input, output, environmental, and battery specifications for the UPS.

## 15.2 Single Module Specifications

### 15.2.1 UPS System Input

Operating Input Voltage (Nominal +10/-15%)	208 Vac for operation from 177 Vac to 229 Vac 220 Vac for operation from 187 Vac to 242 Vac 480 Vac for operation from 408 Vac to 528 Vac
Operating Input Frequency Range	±5 Hz
Operating Input Current	See Appendix A, Table E through Table G.  <b>Reduced for Generator</b> Adjustable
Input Current Harmonic Content	5% THD at full load
Power Factor	Minimum 0.99
Line Surges	6 kV OC, 3 kA SC per ANSI 62.41 and IEC 801-4
Battery Voltage	384 Vdc (208V/220V units only) 432 Vdc 480 Vdc

## 15.2.2 UPS System Output

UPS Output Capacity	100% rated current
Output Voltage Regulation	±1% (10% to 100% load)
Output Voltage Adjustment (Nominal +/-3%)	208 Vac nominal, adjustable from 202 Vac to 214 Vac 220 Vac nominal, adjustable from 214 Vac to 226 Vac 480 Vac nominal, adjustable from 466 Vac to 494 Vac
Output Voltage Harmonic Content	1.5% max THD (linear load) 5% max THD (nonlinear load)
Output Current	See Appendix A, Table E through Table G.
Output Voltage Balance	3% for 100% maximum load imbalance (linear load)
Output Voltage Phase Displacement	3° for 100% maximum load imbalance (linear load)
Output Transients	± 5% for 100% load step or removal
Frequency Regulation	± 0.01 Hz free running
Synchronous to Bypass	Bypass within voltage limits of +5%, -8% of output setting; bypass within ± 0.5 Hz
Frequency Slew Rate	1 Hz per second maximum
Overload Capability	110% for 10 minutes 125% for 30 seconds 150% for 10 seconds

## 15.2.3 Environmental

Operating Temperature	0 to 40°C (32–104°F) without derating. The recommended operating temperature is 25°C (77°F).
Operating Altitude	Maximum 1500m (5000 ft) at 40°C without derating
Storage Temperature	-25 to +60°C, excluding batteries (prolonged storage above 40°C causes rapid battery self-discharge)
Relative Humidity (operating and storage)	5% to 95% maximum noncondensing
Acoustical Noise	65 dB at a 1m distance, c weighted
EMI Suppression	Meets FCC Regulation 47, Part 15, for class A devices
Electrostatic Discharge (ESD) Immunity	Meets IEC 801-2 specifications. Withstands up to 25 kV pulse without damage and with no disturbance or adverse effect to the critical load.

## 15.3 Multiple Module Parallel Specifications

### 15.3.1 UPM Input

Same as single module.

### 15.3.2 UPM Output

Same as single module.

### 15.3.3 Environmental

Same as single module.

### 15.3.4 Battery

Same as single module.

### 15.3.5 Module Tie Cabinet Input

Operating Input Voltage (UPM Dependent)	208 Vac for operation from 177 Vac to 229 Vac 220 Vac for operation from 187 Vac to 242 Vac 480 Vac for operation from 408 Vac to 528 Vac
Operating Input Current	See Appendix A, Table O through Table Q.

### 15.3.6 Module Tie Cabinet Output

Operating Output Voltage (UPM Dependent)	208 Vac for operation from 177 Vac to 229 Vac 220 Vac for operation from 187 Vac to 242 Vac 480 Vac for operation from 408 Vac to 528 Vac
Operating Output Current	See Appendix A, Table O through Table Q.

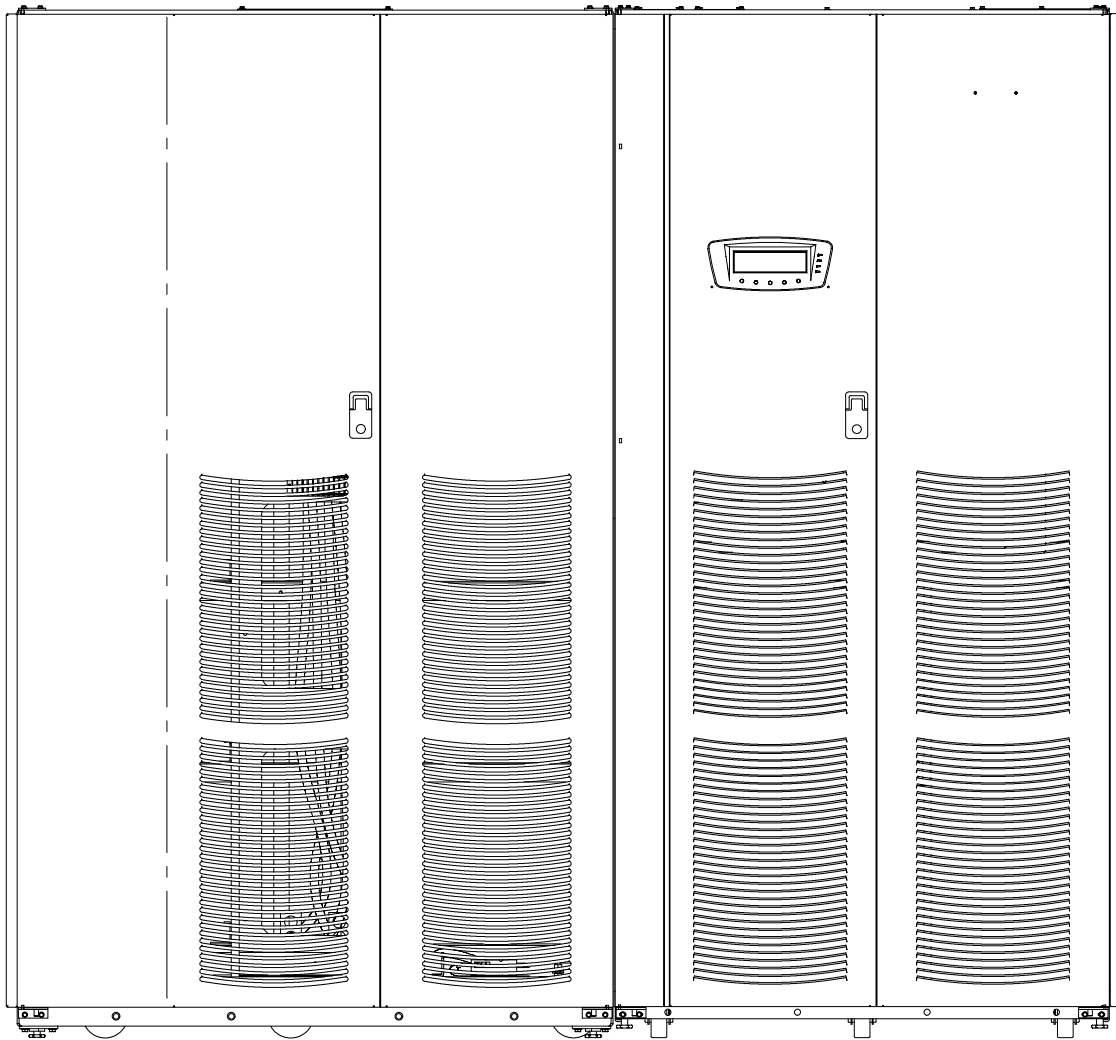
**This page intentionally left blank.**



## Appendix A | Installation Information

The information in this appendix is helpful during the planning and installation of the UPS system. This appendix contains the following drawings:

- ▶ 164201604-1 Typical Powerware 9390 UPS System
- ▶ 164201604-2 Physical Features and Requirements
- ▶ 164201604-3 UPS System Oneline Configurations
- ▶ 164201604-4 UPS System Oneline Drawing
- ▶ 164201604-5 Power Wiring Installation Notes
- ▶ 164201604-6 Conduit and Wire Entry Locations
- ▶ 164201604-7 UPS Power Terminal Locations
- ▶ 164201604-8 Interface Wiring Installation Notes and Terminal Locations
- ▶ 164201604-9 UPS Cabinet Dimensions
- ▶ 164201604-10 Optional Remote Emergency Power-off
- ▶ 164201604-11 Optional Remote Monitor Panel
- ▶ 164201604-12 Optional Remote Relay Interface Module
- ▶ 164201604-13 Optional Remote Supervisory Contact Module



**BATTERY CABINET**

**UPS CABINET**

DESCRIPTION: <b>TYPICAL POWERWARE 9390 UPS SYSTEM</b>	
DRAWING NO.: 164201604-1	SHEET: 1 of 1
REVISION: A	DATE: 091505

1. The UPS equipment operating environment must meet the weight requirements shown in Table A and the size requirements shown on Drawing 164201604–9.
2. The UPS cabinet is palletted separately for shipping.
3. Do not tilt cabinets more than  $\pm 10^\circ$  during handling.
4. Dimensions are in millimeters (inches).
5. The cabinet can be installed in *line-up-and-match* or *standalone* configurations.

Model	Voltage		Weight kg (lb)		
	Input	Output	Shipping	Installed	Point Loading
Powerware 9390–120/100	208V/220V	208V/220V	531 (1170)	504 (1110)	6 at 84 (185)
	480V	480V	467 (1030)	440 (970)	6 at 73 (162)
Powerware 9390–120/120	208V/220V	208V/220V	531 (1170)	553 (1110)	6 at 84 (185)
	480V	480V	467 (1030)	440 (970)	6 at 73 (162)
Powerware 9390–160/100	208V/220V	208V/220V	581 (1280)	553 (1220)	6 at 92 (204)
	480V	480V			
Powerware 9390–160/120	208V/220V	208V/220V	581 (1280)	553 (1220)	6 at 92 (204)
	480V	480V			
Powerware 9390–160/160	208V/220V	208V/220V	581 (1280)	553 (1220)	6 at 92 (204)
	480V	480V			

6. The clearances required around the UPS cabinet are shown in Table B.

From Top of Cabinet	Minimum clearance over the UPS cabinet is 457.2 mm (18 in.) for ventilation
From Front of Cabinet	914.4 mm (36 inches) working space
From Back of Cabinet	None required
From Right Side of Cabinet	None required
From Left Side of Cabinet	None required

<b>DESCRIPTION: PHYSICAL FEATURES AND REQUIREMENTS</b>	
DRAWING NO: 164201604–2	SHEET: 1 of 2
REVISION: A	DATE: 091505

7. The basic environmental requirements for operation of the UPS system are:

**Ambient Temperature Range:** 0–40°C (32–104°F)

**Recommended Operating Range:** 20–25°C (68–77°F)

**Maximum Relative Humidity:** 95%, noncondensing

The UPS ventilation requirements are shown in Table C.

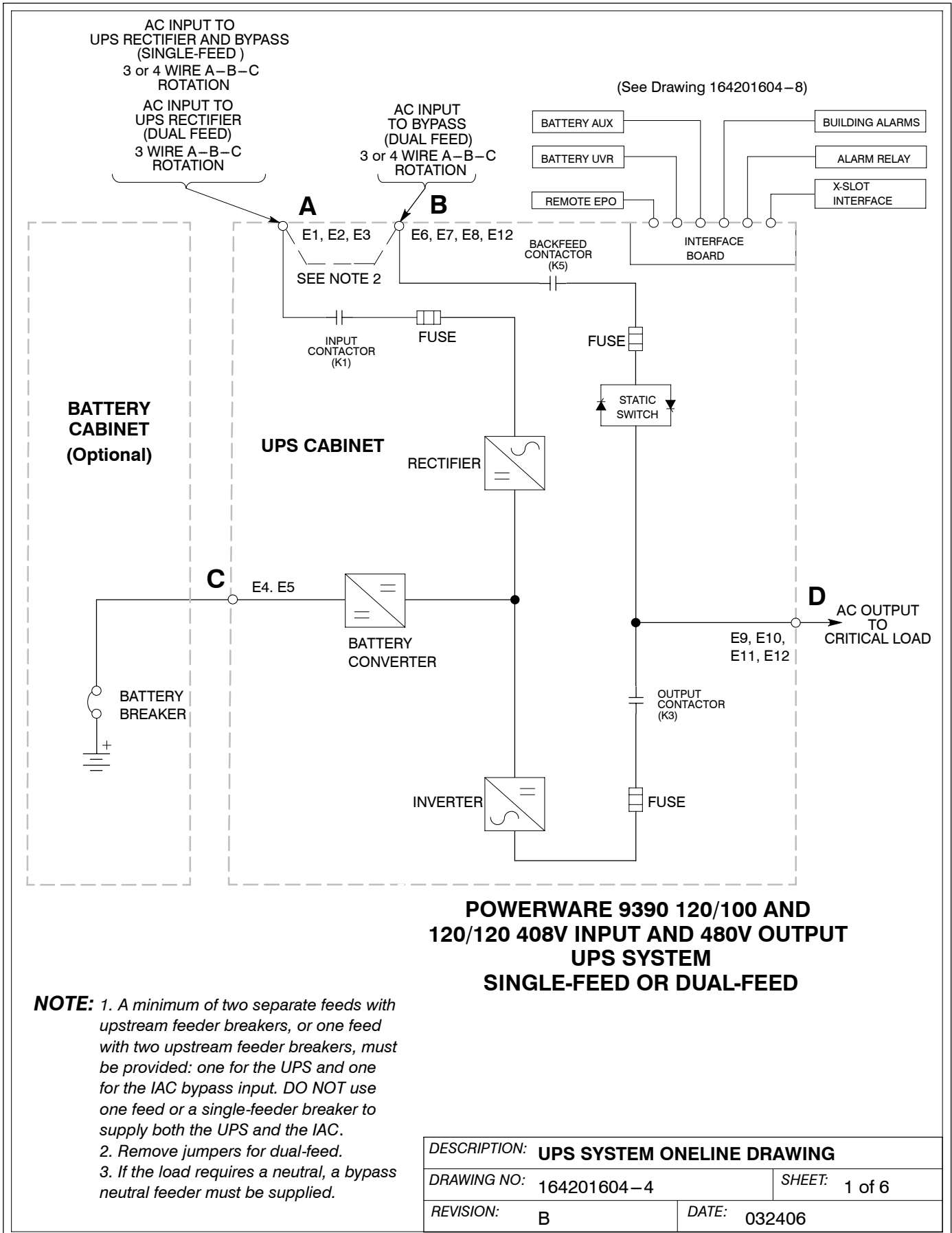
<b>Table C. Air Conditioning or Ventilation Requirements During Full Load Operation</b>			
<i>Ratings</i>	<i>Voltage</i>		<i>Heat Rejection BTU/hr × 1000/hr (kg-cal/hr)</i>
	<i>Input</i>	<i>Output</i>	
100 kVA	208/220	208/220	29.6 (7.45)
100 kVA	480	480	27.4 (6.90)
120 kVA	208/220	208/220	35.5 (8.94)
120 kVA	480	480	32.8 (8.28)
160 kVA	208/220	208/220	47.3 (11.9)
160 kVA	480	480	43.8 (11.0)

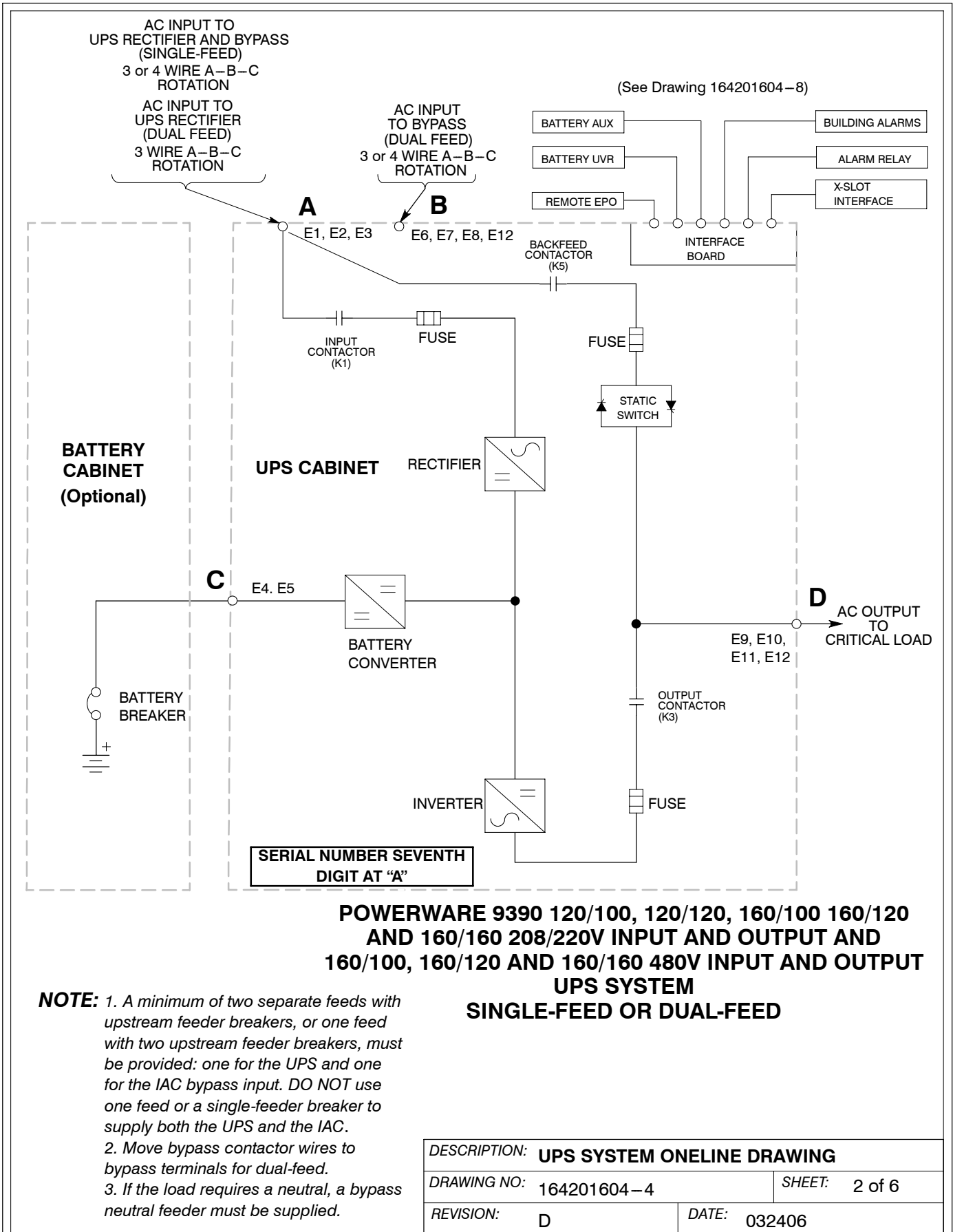
Ventilation required for cooling air exhaust: approximately 9.44 liter/sec (2000 cfm).

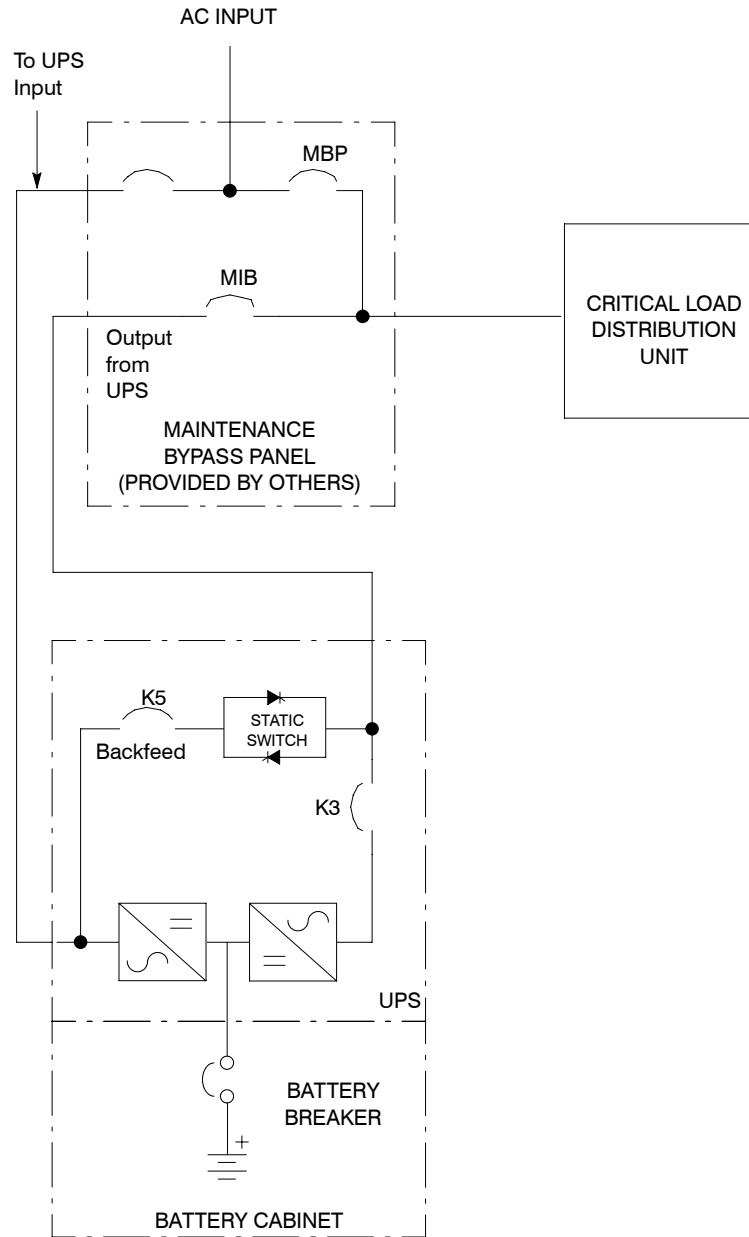
<i>DESCRIPTION:</i> <b>PHYSICAL FEATURES AND REQUIREMENTS</b>	
<i>DRAWING NO:</i> 164201604–2	<i>SHEET:</i> 2 of 2
<i>REVISION:</i> A	<i>DATE:</i> 091505

<b>Table D. UPS System Oneline Configurations</b>				
<i>Oneline Drawing 164201604-4</i>	<i>UPS Model</i>	<i>Voltage</i>		<i>System Type</i>
		<i>Input</i>	<i>Output</i>	
Sheet 1	9390-120/100 9390-120/120 9390-160/100 9390-160/120 9390-160/160	208/220	208/220	Single Module – Reverse Transfer Single-Feed or Dual-Feed
		480	480	
Sheet 2	9390-120/100 9390-120/120 9390-160/100 9390-160/120 9390-160/160	208/220	208/220	Single Module – Reverse Transfer Single-Feed with Typical Maintenance Bypass Panel
		480	480	
Sheet 3	9390-120/100 9390-120/120 9390-160/100 9390-160/120 9390-160/160	208/220	208/220	Multiple Module – Parallel Single-Feed or Dual-Feed 1+1 and 2+0 Configurations
		480	480	
Sheet 4	9390-120/100 9390-120/120 9390-160/100 9390-160/120 9390-160/160	208/220	208/220	Multiple Module – Parallel Single-Feed or Dual-Feed 2+1 and 3+0 Configurations
		480	480	
Sheet 5	9390-120/100 9390-120/120 9390-160/100 9390-160/120 9390-160/160	208/220	208/220	Multiple Module – Parallel Single-Feed or Dual-Feed 3+1 and 4+0 Configurations
		480	480	

<i>DESCRIPTION:</i> <b>UPS SYSTEM ONELINE CONFIGURATIONS</b>	
<i>DRAWING NO:</i> 164201604-3	<i>SHEET:</i> 1 of 1
<i>REVISION:</i> A	<i>DATE:</i> 091505







MIB: MAINTENANCE ISOLATION BREAKER

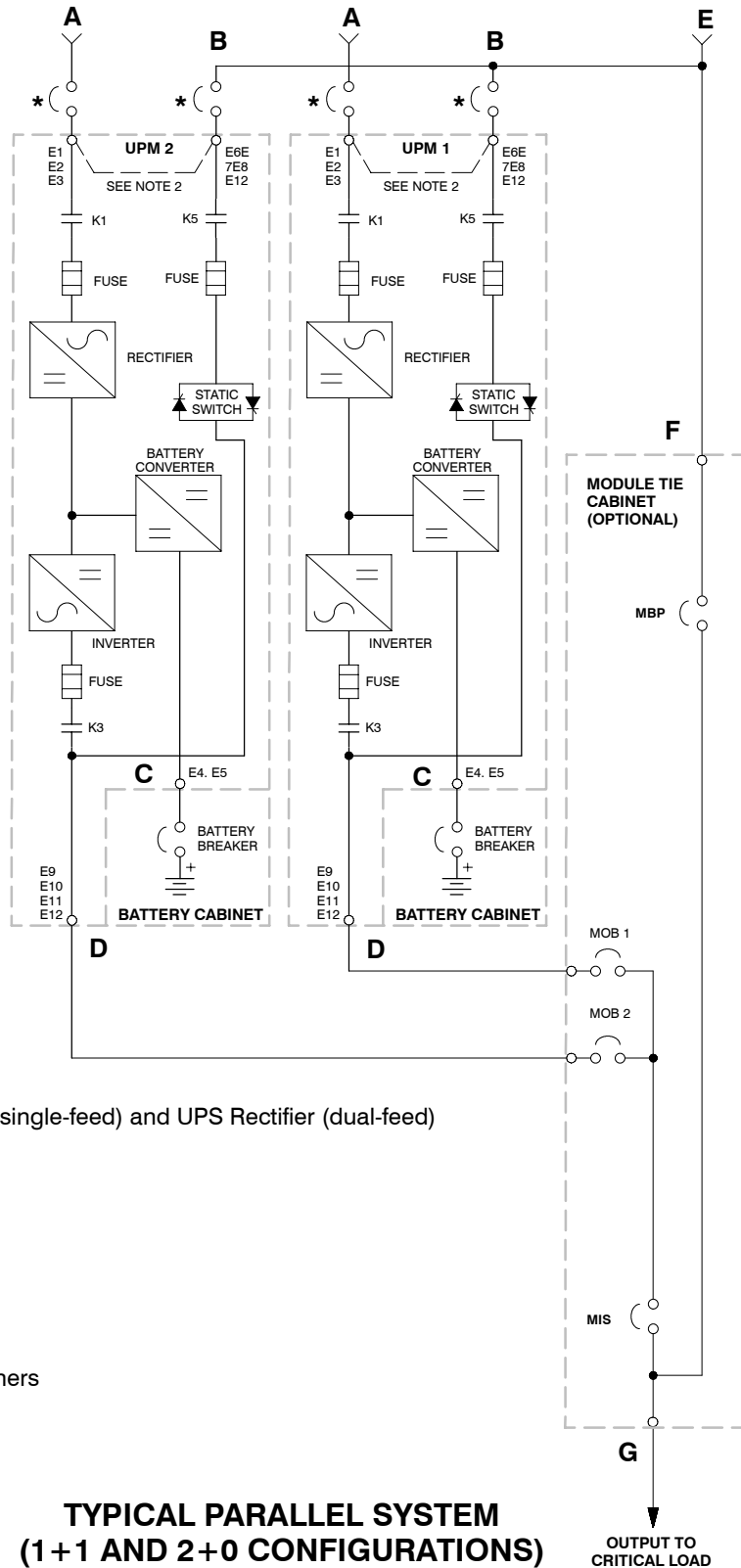
MBP: MAINTENANCE BYPASS BREAKER

**TYPICAL MAINTENANCE BYPASS PANEL POWER FLOW**

**NOTE:** If installing, as part of the UPS system, a maintenance bypass without a rectifier input breaker, a minimum of two separate feeds with upstream feeder breakers, or one feed with two upstream feeder breakers, must be provided: one for the UPS and one for the maintenance bypass. DO NOT use one feed or a single-feeder breaker to supply both the UPS and the maintenance bypass.

DESCRIPTION: <b>UPS SYSTEM ONELINE DRAWING</b>	
DRAWING NO: 164201604-4	SHEET: 3 of 6
REVISION: A	DATE: 091505





- A – AC Input to UPS Rectifier and Bypass (single-feed) and UPS Rectifier (dual-feed)
- B – AC Input to UPS Bypass (dual-feed)
- C – DC Input from Battery
- D – UPM AC Output to Parallel Tie Point
- E – AC Input Source
- F – System Bypass Input
- G – Output to Critical Load
- \* – Overcurrent Protection Provided by Others

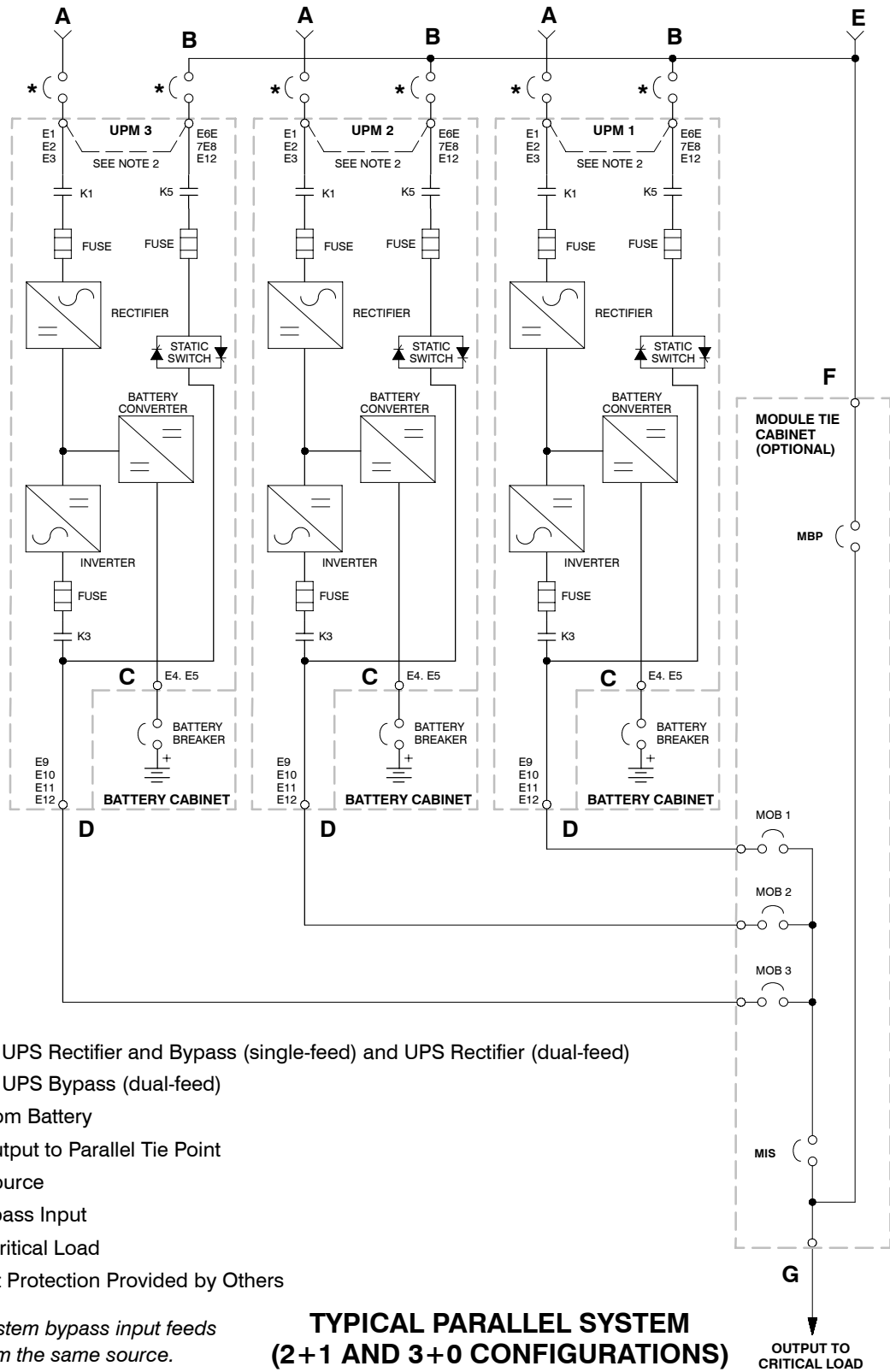
**NOTE:** 1. UPM and system bypass input feeds must come from the same source.

2. Remove jumper for dual-feed.

3. See Note 27 on page A-21 for neutral bonding instructions.

### TYPICAL PARALLEL SYSTEM (1+1 AND 2+0 CONFIGURATIONS)

DESCRIPTION: <b>UPS SYSTEM ONELINE DRAWING</b>	
DRAWING NO: 164201604-4	SHEET: 4 of 6
REVISION: A	DATE: 091505



- A – AC Input to UPS Rectifier and Bypass (single-feed) and UPS Rectifier (dual-feed)
- B – AC Input to UPS Bypass (dual-feed)
- C – DC Input from Battery
- D – UPM AC Output to Parallel Tie Point
- E – AC Input Source
- F – System Bypass Input
- G – Output to Critical Load
- \* – Overcurrent Protection Provided by Others

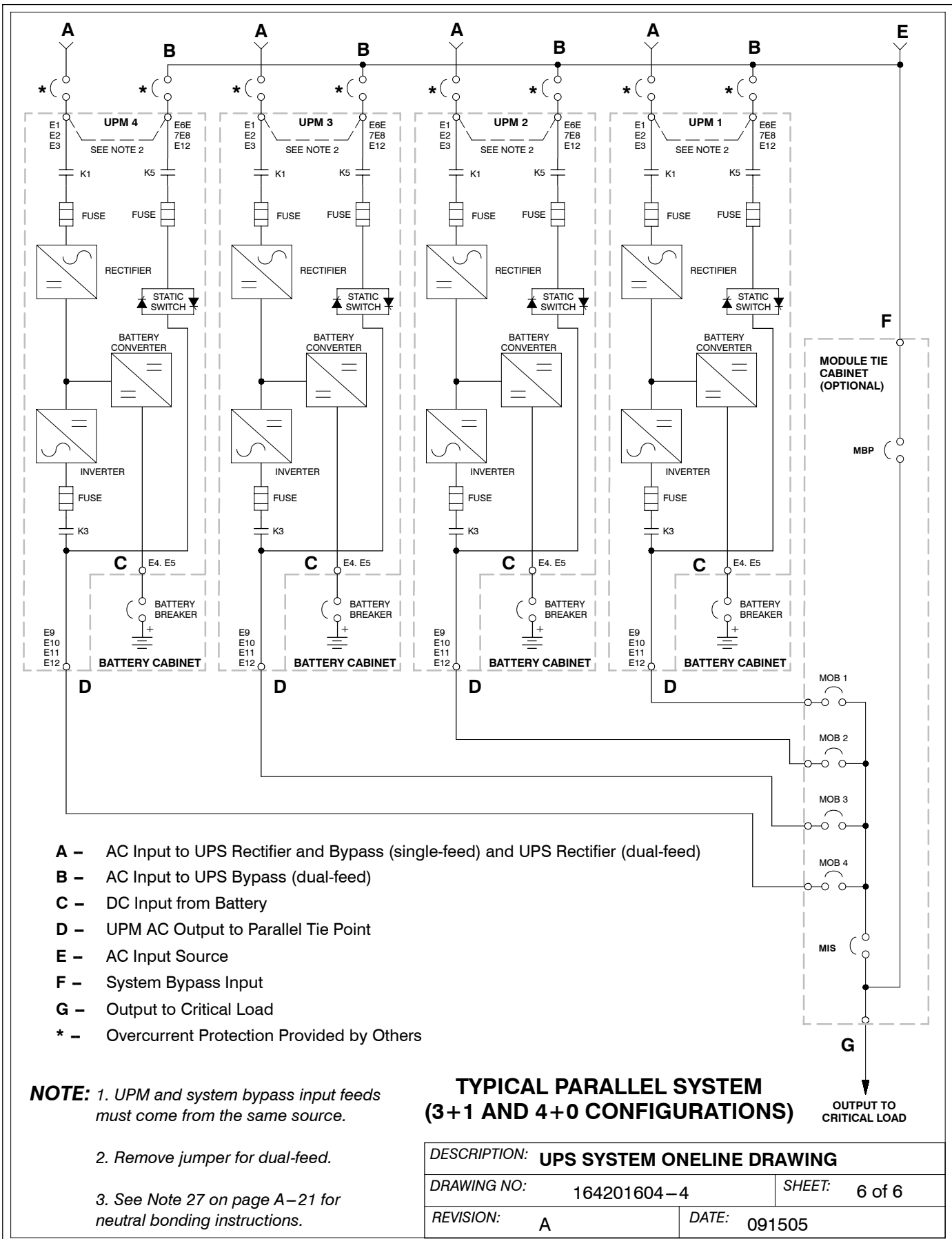
**NOTE:** 1. UPM and system bypass input feeds must come from the same source.

2. Remove jumper for dual-feed.

3. See Note 27 on page A-21 for neutral bonding instructions.

### TYPICAL PARALLEL SYSTEM (2+1 AND 3+0 CONFIGURATIONS)

DESCRIPTION: <b>UPS SYSTEM ONLINE DRAWING</b>	
DRAWING NO: 164201604-4	SHEET: 5 of 6
REVISION: A	DATE: 091505



- A - AC Input to UPS Rectifier and Bypass (single-feed) and UPS Rectifier (dual-feed)
- B - AC Input to UPS Bypass (dual-feed)
- C - DC Input from Battery
- D - UPM AC Output to Parallel Tie Point
- E - AC Input Source
- F - System Bypass Input
- G - Output to Critical Load
- \* - Overcurrent Protection Provided by Others

**NOTE:** 1. UPM and system bypass input feeds must come from the same source.

2. Remove jumper for dual-feed.

3. See Note 27 on page A-21 for neutral bonding instructions.

**TYPICAL PARALLEL SYSTEM  
(3+1 AND 4+0 CONFIGURATIONS)**

DESCRIPTION: <b>UPS SYSTEM ONELINE DRAWING</b>	
DRAWING NO: 164201604-4	SHEET: 6 of 6
REVISION: A	DATE: 091505

<b>Table E. INPUT/OUTPUT Ratings &amp; External Wiring Requirements for the Powerware 9390–120/100 and 9390–160/100</b>				
		<b>Units</b>	<b>Rating 50/60 Hz</b>	
<b>Basic Unit Rating at 0.9 lagging pF load</b>		kVA kW	100 90	100 90
<b>Input and Bypass Input Output</b>		VOLTS VOLTS	208/220 208/220	480 480
<b>AC Input to UPS Rectifier (0.98 min. pF)</b> Full Load Current plus Battery Recharge Current (3) Phases, (1) Ground Minimum Conductor Size Number per Phase	<b>A</b>	Amps	300	130
		AWG or kcmil (each)	3/0 (2)	4/0 (1)
<b>AC Input to UPS Bypass</b> Full Load Current (3) Phases, (1) Neutral—if required, (1) Ground Minimum Conductor Size Number per Phase	<b>B</b>	Amps	278/262	120
		AWG or kcmil (each)	3/0 (2)	4/0 (1)
<b>DC Input from Battery to UPS</b> (1) Positive, (1) Negative Minimum Conductor Size Number per Pole	<b>C</b>	Vdc Amps@ (2.0V/cell)	384–480 252	432–480 252
		AWG or kcmil (each)	2/0 (2)	2/0 (2)
<b>AC Output to Critical Load</b> Full Load Current (3) Phases, (1) Neutral—if required, (1) Ground Minimum Conductor Size Number per Phase	<b>D</b>	Amps	278/262	120
		AWG or kcmil (each)	3/0 (2)	4/0 (1)
<b>Neutral Bonding Jumper</b> Minimum Conductor Size Number (See Note 7)	<b>–</b>	AWG or kcmil (each)	1/0 (1)	2 (1)

**NOTE:** Callout letters **A, B, C, and D** map to Drawing 164201604–4, sheets 1 of 6, 2 of 6, 4 of 6, 5 of 6, and 6 of 6.

Read and understand the following notes while planning and performing the installation:

1. Refer to national and local electrical codes for acceptable external wiring practices.
2. Material and labor for external wiring requirements are to be provided by designated personnel.
3. For external wiring, use 90° C copper wire. See the appropriate information in Table E through Table G. Wire sizes are based on using the specified breakers.
4. Wire ampacities are chosen from Table 310–16 of the NEC. Wire is 90°C specification.
5. If installing, as part of the UPS system, a maintenance bypass without a rectifier input breaker, a minimum of two separate feeds with upstream feeder breakers, or one feed with two upstream feeder breakers, must be provided: one for the UPS and one for the maintenance bypass input. DO NOT use one feed or a single-feeder breaker to supply both the UPS and the maintenance bypass.

<b>DESCRIPTION:</b> POWER WIRING INSTALLATION NOTES	
<b>DRAWING NO:</b> 164201604–5	<b>SHEET:</b> 1 of 15
<b>REVISION:</b> B	<b>DATE:</b> 032406

Table F. INPUT/OUTPUT Ratings & External Wiring Requirements for the Powerware 9390–120/120 and 9390–160/120				
		Units	Rating 50/60 Hz	
<b>Basic Unit Rating at 0.9 lagging pF load</b>		kVA kW	120 108	120 108
<b>Input and Bypass Input Output</b>		VOLTS VOLTS	208/220 208/220	480 480
<b>AC Input to UPS Rectifier (0.98 min. pF)</b> Full Load Current plus Battery Recharge Current (3) Phases, (1) Ground Minimum Conductor Size Number per Phase	<b>A</b>	Amps	360	160
		AWG or kcmil (each)	4/0 (2)	4/0 (1)
<b>AC Input to UPS Bypass</b> Full Load Current (3) Phases, (1) Neutral—if required, (1) Ground Minimum Conductor Size Number per Phase	<b>B</b>	Amps	333/315	144
		AWG or kcmil (each)	4/0 (2)	4/0 (1)
<b>DC Input from Battery to UPS</b> (1) Positive, (1) Negative Minimum Conductor Size Number per Pole	<b>C</b>	Vdc Amps@ (2.0V/cell)	384–480 302	432–480 302
		AWG or kcmil (each)	3/0 (2)	3/0 (2)
<b>AC Output to Critical Load</b> Full Load Current (3) Phases, (1) Neutral—if required, (1) Ground Minimum Conductor Size Number per Phase	<b>D</b>	Amps	333/315	144
		AWG or kcmil (each)	4/0 (2)	4/0 (1)
<b>Neutral Bonding Jumper</b> Minimum Conductor Size Number (See Note 7)	<b>–</b>	AWG or kcmil (each)	1/0 (1)	2 (1)

**NOTE:** Callout letters **A, B, C, and D** map to Drawing 164201604–4, sheets 1 of 6, 2 of 6, 4 of 6, 5 of 6, and 6 of 6.

- The bypass feed into this equipment uses three or four wires. The rectifier feed into this equipment uses three wires. The phases must be symmetrical about ground (from a Wye source) for proper equipment operation.
- If the load requires a neutral, a bypass source neutral must be provided. If the load does not require a neutral and there is no neutral conductor connected at the bypass input, a neutral to ground bonding jumper must be installed. DO NOT install both a source neutral and a bonding jumper. See Table E through Table G for neutral bonding jumper wire sizes. Bonding jumper must be copper wire.

**CAUTION**



**HIGH IMPEDANCE GROUND SOURCES** - If the source of supply is a high impedance ground (IT) type, the input neutral conductor must be connected from the source of supply. If there is no output neutral connected to the UPS, the neutral-forming transformer kit (PN 103005400) may be used instead of pulling a neutral from the source. If the load requires a neutral then an input neutral conductor must be pulled into the UPS. In no circumstances shall a neutral to ground bonding jumper be installed in the UPS.

DESCRIPTION: <b>POWER WIRING INSTALLATION NOTES</b>			
DRAWING NO:	164201604–5	SHEET:	2 of 15
REVISION:	B	DATE:	032406

<b>Table G. INPUT/OUTPUT Ratings &amp; External Wiring Requirements for the Powerware 9390–160/160</b>				
		<b>Units</b>	<b>Rating 50/60 Hz</b>	
<b>Basic Unit Rating at 0.9 lagging pF load</b>		kVA kW	160 144	160 144
<b>Input and Bypass Input Output</b>		VOLTS VOLTS	208/220 208/220	480 480
<b>AC Input to UPS Rectifier (0.98 min. pF)</b> Full Load Current plus Battery Recharge Current (3) Phases, (1) Ground Minimum Conductor Size Number per Phase	<b>A</b>	Amps	480	210
		AWG or kcmil (each)	400 (2)	1/0 (2)
<b>AC Input to UPS Bypass</b> Full Load Current (3) Phases, (1) Neutral—if required, (1) Ground Minimum Conductor Size Number per Phase	<b>B</b>	Amps	444/420	192
		AWG or kcmil (each)	400 (2)	1/0 (2)
<b>DC Input from Battery to UPS</b> (1) Positive, (1) Negative Minimum Conductor Size Number per Pole	<b>C</b>	Vdc Amps@ (2.0V/cell)	384–480 403	432–480 403
		AWG or kcmil (each)	250 (2)	250 (2)
<b>AC Output to Critical Load</b> Full Load Current (3) Phases, (1) Neutral—if required, (1) Ground Minimum Conductor Size Number per Phase	<b>D</b>	Amps	444/420	192
		AWG or kcmil (each)	400 (2)	1/0 (2)
<b>Neutral Bonding Jumper</b> Minimum Conductor Size Number (See Note 7)	<b>–</b>	AWG or kcmil (each)	1/0 (2)	2 (2)

**NOTE:** Callout letters **A, B, C, and D** map to Drawing 164201604–4, sheets 1 of 6, 2 of 6, 4 of 6, 5 of 6, and 6 of 6.

**CAUTION**



DELTA SOURCES (TN-S) - The Powerware 9390 UPS system can be operated only from a delta supply source that is fully floating and if the neutral-forming transformer kit (PN 103005400) is installed in the UPS. The UPS cannot be operated from a mid-point or end-point grounded delta supply source. With this type of supply source, there is no capability to provide an output neutral. In no circumstances shall a neutral to ground bonding jumper be installed in the UPS.

8. The UPS cabinet is shipped with a debris shield covering the ventilation grill on top of the unit. Do not remove the debris shield until installation is complete. However, remove the shield before operating the UPS. Once the debris shield is removed, do not place objects on the ventilation grill.
9. Refer to Section I of this manual for installation instructions.

<i>DESCRIPTION:</i> <b>POWER WIRING INSTALLATION NOTES</b>			
<i>DRAWING NO:</i>	164201604–5	<i>SHEET:</i>	3 of 15
<i>REVISION:</i>	B	<i>DATE:</i>	032406

10. Terminals are UL and CSA rated at 90°C. Refer to Table H and Table I for power cable terminations, and Table J for conduit requirements. Drawing 164201604–7 shows the location of the power cable terminals inside the UPS cabinet.

<i>Terminal Function</i>	<i>Terminal</i>	<i>Function</i>	<i>Size of Pressure Termination</i>	<i>Tightening Torque Nm (lb in)</i>	<i>Type Screw</i>
<b>AC Input to UPS Rectifier and Bypass (Single Input)</b>	E1	Phase A	2 – #6–250 kcmil	42.4 (375)	5/16 in. Hex
	E2	Phase B	2 – #6–250 kcmil	42.4 (375)	5/16 in. Hex
	E3	Phase C	2 – #6–250 kcmil	42.4 (375)	5/16 in. Hex
<b>AC Input to UPS Rectifier (Dual Input)</b>	E1	Phase A	2 – #6–250 kcmil	42.4 (375)	5/16 in. Hex
	E2	Phase B	2 – #6–250 kcmil	42.4 (375)	5/16 in. Hex
	E3	Phase C	2 – #6–250 kcmil	42.4 (375)	5/16 in. Hex
<b>AC Input To Bypass (Dual Input)</b>	E6	Phase A	2 – #6–250 kcmil	42.4 (375)	5/16 in. Hex
	E7	Phase B	2 – #6–250 kcmil	42.4 (375)	5/16 in. Hex
	E8	Phase C	2 – #6–250 kcmil	42.4 (375)	5/16 in. Hex
<b>Single-Feed To Dual-Feed Remove Jumpers between Rectifier Input Terminals and Bypass Input Terminals</b>	Rectifier	Phase A	N/A	12.5 (110)	M8 Hex Bolt
	Bypass	Phase A	N/A	22.6 (200)	M10 Hex Bolt
	Rectifier	Phase B	N/A	12.5 (110)	M8 Hex Bolt
	Bypass	Phase B	N/A	22.6 (200)	M10 Hex Bolt
	Rectifier	Phase C	N/A	12.5 (110)	M8 Hex Bolt
	Bypass	Phase C	N/A	22.6 (200)	M10 Hex Bolt
<b>AC Output to Critical Load</b>	E9	Phase A	2 – #6–250 kcmil	42.4 (375)	5/16 in. Hex
	E10	Phase B	2 – #6–250 kcmil	42.4 (375)	5/16 in. Hex
	E11	Phase C	2 – #6–250 kcmil	42.4 (375)	5/16 in. Hex
<b>DC Input from Battery to UPS</b>	E4	Positive	2 – #2–600 kcmil	56.5 (500)	1/2 in. Hex
	E5	Negative	2 – #2–600 kcmil	56.5 (500)	1/2 in. Hex
<b>Input and Output Neutral</b>	E12	Neutral	8 – #6–250 kcmil	42.4 (375)	5/16 in. Hex
<b>Customer Ground</b>	Ground	Ground	8 – #14–1/0	5.6 (50)	Slotted

**NOTE:** Customer ground can be run in any conduit listed in Table J.

<i>DESCRIPTION:</i> <b>POWER WIRING INSTALLATION NOTES</b>	
<i>DRAWING NO:</i> 164201604–5	<i>SHEET:</i> 4 of 15
<i>REVISION:</i> B	<i>DATE:</i> 032406

**Table I. UPS Cabinet Power Cable Terminations for the Powerware 9390–120/100, 9390–120/120, 9390–160/100, 9390–160/120, and 9390–160/160 (208V/220V Input and 208V/220V Output), and the Powerware 9390–160/100, 9390–160/120, and 9390–160/160 (480V Input and 480V Output)**

<i>Terminal Function</i>	<i>Terminal</i>	<i>Function</i>	<i>Size of Pressure Termination</i>	<i>Tightening Torque Nm (lb in)</i>	<i>Type Screw</i>
<b>AC Input to UPS Rectifier and Bypass (Single Input)</b>	E1	Phase A	2 – #2–600 kcmil	56.5 (500)	1/2 in. Hex
	E2	Phase B	2 – #2–600 kcmil	56.5 (500)	1/2 in. Hex
	E3	Phase C	2 – #2–600 kcmil	56.5 (500)	1/2 in. Hex
<b>AC Input to UPS Rectifier (Dual Input)</b>	E1	Phase A	2 – #2–600 kcmil	56.5 (500)	1/2 in. Hex
	E2	Phase B	2 – #2–600 kcmil	56.5 (500)	1/2 in. Hex
	E3	Phase C	2 – #2–600 kcmil	56.5 (500)	1/2 in. Hex
<b>AC Input To Bypass (Dual Input)</b>	E6	Phase A	2 – #2–600 kcmil	56.5 (500)	1/2 in. Hex
	E7	Phase B	2 – #2–600 kcmil	56.5 (500)	1/2 in. Hex
	E8	Phase C	2 – #2–600 kcmil	56.5 (500)	1/2 in. Hex
<b>Single-Feed to Dual-Feed Transfer Wires from Rectifier Input Terminals to Bypass Input Terminals</b>	Rectifier	Phase A	N/A	12.5 (110)	M8 Hex Bolt
	Bypass	Phase A	N/A	12.5 (110)	M8 Hex Bolt
	Rectifier	Phase B	N/A	12.5 (110)	M8 Hex Bolt
	Bypass	Phase B	N/A	12.5 (110)	M8 Hex Bolt
	Rectifier	Phase C	N/A	12.5 (110)	M8 Hex Bolt
	Bypass	Phase C	N/A	12.5 (110)	M8 Hex Bolt
<b>AC Output to Critical Load</b>	E9	Phase A	2 – #2–600 kcmil	56.5 (500)	1/2 in. Hex
	E10	Phase B	2 – #2–600 kcmil	56.5 (500)	1/2 in. Hex
	E11	Phase C	2 – #2–600 kcmil	56.5 (500)	1/2 in. Hex
<b>DC Input from Battery to UPS</b>	E4	Positive	2 – #2–600 kcmil	56.5 (500)	1/2 in. Hex
	E5	Negative	2 – #2–600 kcmil	56.5 (500)	1/2 in. Hex
<b>Input and Output Neutral</b>	E12	Neutral	8 – #2–600 kcmil	56.5 (500)	1/2 in. Hex
<b>Customer Ground</b>	Ground	Ground	8 – #14–1/0	5.6 (50)	Slotted

**NOTE:** Customer ground can be run in any conduit listed in Table J.

<b>DESCRIPTION: POWER WIRING INSTALLATION NOTES</b>	
<b>DRAWING NO:</b> 164201604–5	<b>SHEET:</b> 5 of 15
<b>REVISION:</b> A	<b>DATE:</b> 091505



11. Per NEC article 300-20(a), all three-phase conductors must be run in the same conduit. Neutral and ground must be run in the same conduit as the phase conductors.
12. Conduit is sized to accommodate one neutral conductor the same size as the phase conductor and one #8 AWG ground conductor. If two neutral conductors or an oversized neutral conductor are to be installed, check the size of the conduit needed to accommodate the extra wire or size and use that conduit size in place of the conduit size listed in Table J. All Powerware 9390 products can accommodate a double size neutral.
13. Conduit sizes were chosen from NEC Table C1, type letters RHH, RHW, RHW-2, TW, THW, THHW, THW-2.

UPS Model	Voltage	Terminal	Number of Wires in Conduit	Minimum Conduit Trade Size (inches)	Number of Conduits
Powerware 9390–120/100 and 9390–160/100	208/220 AC	AC Input to UPS (A, B, C, Gnd)	4	2-1/2	2
		AC Input to Bypass (A, B, C, Neut, Gnd)	5	2-1/2	2
		Output (A, B, C, Neut, Gnd)	5	2-1/2	2
	DC	Battery (Positive), (Negative), Gnd	5	2	1
Powerware 9390–120/100 and 9390–160/100	480 AC	AC Input to UPS (A, B, C, Gnd)	4	2-1/2	1
		AC Input to Bypass (A, B, C, Neut, Gnd)	5	2-1/2	1
		Output (A, B, C, Neut, Gnd)	5	2-1/2	1
	DC	Battery (Positive), (Negative), Gnd	5	2	1
Powerware 9390–120/120 and 9390–160/120	208/220 AC	AC Input to UPS (A, B, C, Gnd)	4	2-1/2	2
		AC Input to Bypass (A, B, C, Neut, Gnd)	5	2-1/2	2
		Output (A, B, C, Neut, Gnd)	5	2-1/2	2
	DC	Battery (Positive), (Negative), Gnd	5	2	1
Powerware 9390–120/120 and 9390–160/120	480 AC	AC Input to UPS (A, B, C, Gnd)	4	1-1/2	2
		AC Input to Bypass (A, B, C, Neut, Gnd)	5	1-1/2	2
		Output (A, B, C, Neut, Gnd)	5	1-1/2	2
	DC	Battery (Positive), (Negative), Gnd	5	2	1

DESCRIPTION: <b>POWER WIRING INSTALLATION NOTES</b>	
DRAWING NO: 164201604–5	SHEET: 6 of 15
REVISION: A	DATE: 091505

**Table J. Power Cable Conduit Requirements (Cont'd)**

<i>UPS Model</i>	<i>Voltage</i>	<i>Terminal</i>	<i>Number of Wires in Conduit</i>	<i>Minimum Conduit Trade Size (inches)</i>	<i>Number of Conduits</i>
Powerware 9390–160/160	208/220 AC	AC Input to UPS (A, B, C, Gnd)	4	3-1/2	2
		AC Input to Bypass (A, B, C, Neut, Gnd)	5	3-1/2	2
		Output (A, B, C, Neut, Gnd)	5	3-1/2	2
	DC	Battery (Positive), (Negative), Gnd	5	2-1/2	1
Powerware 9390–160/160	480 AC	AC Input to UPS (A, B, C, Gnd)	4	2	2
		AC Input to Bypass (A, B, C, Neut, Gnd)	5	2	2
		Output (A, B, C, Neut, Gnd)	5	2	2
	DC	Battery (Positive), (Negative), Gnd	5	2-1/2	1

DESCRIPTION: **POWER WIRING INSTALLATION NOTES**

DRAWING NO: 164201604–5

SHEET: 7 of 15

REVISION: A

DATE: 091505

14. External overcurrent protection is not provided by this product, but is required by codes. Refer to Table E through Table G for wiring requirements. If an output lockable disconnect is required, it is to be supplied by the user.
15. Table K lists the maximum rating for input circuit breakers. When wiring a single-feed input, the rating requirements for the input circuit breakers are superceded by the ratings listed in Table L.

<b>Table K. Maximum Input Circuit Breaker Ratings</b>			
<i>UPS Model</i>	<i>Input Voltage Rating</i>		
		<i>208V/220V</i>	<i>480V</i>
Powerware 9390–120/100 Powerware 9390–160/100	80% Rated	450A	200A
	100% Rated	350A	150A
Powerware 9390–120/120 Powerware 9390–160/120	80% Rated	500A	225A
	100% Rated	450A	175A
Powerware 9390–160/160	80% Rated	700A	300A
	100% Rated	600A	250A

### CAUTION



To reduce the risk of fire, connect only to a circuit provided with maximum input circuit breaker current ratings from Table K in accordance with the National Electrical code, ANSI/NFPA 70.

16. Source protection for the AC input to bypass should be treated as if supplying a 160 kVA three-phase transformer, to allow for inrush current if an IDC with a transformer is installed. Bypass input wiring and bypass input breaker rating should be treated as if supplying a 160 kVA load, regardless of the rating of the UPS.
17. The line-to-line unbalanced output capability of the UPS is limited only by the full load per phase current values for AC output to critical load shown in Table E through Table G. The recommended line-to-line load unbalance is 50% or less.
18. Bypass and output overcurrent protection and bypass and output disconnect switches are to be provided by the user. Table L lists the maximum rating for bypass and output circuit breakers satisfying the criteria for both.

<b>Table L. Maximum Bypass and Output Circuit Breaker Ratings</b>			
<i>UPS Model</i>	<i>Output Voltage Rating</i>		
		<i>208V/220V</i>	<i>480V</i>
Powerware 9390–120/100 Powerware 9390–160/100	80% Rated	450A	200A
	100% Rated	350A	150A
Powerware 9390–120/120 Powerware 9390–160/120	80% Rated	500A	225A
	100% Rated	450A	175A
Powerware 9390–160/160	80% Rated	700A	300A
	100% Rated	600A	250A

<i>DESCRIPTION:</i> <b>POWER WIRING INSTALLATION NOTES</b>	
<i>DRAWING NO:</i> 164201604–5	<i>SHEET:</i> 8 of 15
<i>REVISION:</i> A	<i>DATE:</i> 091505

- 19. There is no DC disconnect device within the UPS.
- 20. A battery disconnect switch is recommended, and may be required by NEC or local codes when batteries are remotely located. The battery disconnect switch should be installed between the battery and the UPS.
- 21. External DC input overcurrent protection and disconnect switch for the remote battery location is to be provided by the user. Table M lists the maximum rating for continuous-duty rated circuit breakers satisfying the criteria for both.

<b>Table M. Maximum DC Input Circuit Breaker Ratings</b>		
<i>UPS Model</i>	<i>Input Voltage Rating</i>	
	<i>208V/220V</i>	<i>480V</i>
Powerware 9390–120/100 Powerware 9390–160/100	400A	400A
Powerware 9390–120/120 Powerware 9390–160/120	450A	450A
Powerware 9390–160/160	600A	600A

- 22. Battery voltage is computed at 2 volts per cell as defined by Article 480 of the NEC. Rated battery current is computed at 2 volts per cell.
- 23. The battery wiring used between the battery and the UPS should not allow a voltage drop of more than 1% of nominal DC voltage at rated battery current.
- 24. If the conductors used for DC input from the battery cabinets to the UPS are those provided by the UPS manufacturer, and the UPS and battery cabinets are manufactured by the same supplier, then it is acceptable if they do not meet the noted minimum conductor sizes.

<i>DESCRIPTION:</i> <b>POWER WIRING INSTALLATION NOTES</b>		
<i>DRAWING NO:</i> 164201604–5	<i>SHEET:</i> 9 of 15	
<i>REVISION:</i> A	<i>DATE:</i> 091505	

- 25. Parallel system UPM and system bypass input feeds must come from the same source.
- 26. Parallel UPM input wiring size requirements and output wiring size requirements from the UPMs to the tie cabinet or distribution panel are the same as listed in Table E through Table G.
- 27. If the load requires a neutral, a bypass source neutral must be provided. If the load does not require a neutral and there is no neutral conductor connected at the bypass input, a neutral to ground bonding jumper must be installed. Install neutral conductors from the UPMs to the common point of connection (tie cabinet), and then install a system neutral to ground bonding jumper. If the recommended installation method cannot be accomplished, each UPM should have a separate neutral to ground bonding jumper installed in accordance with Note 7 on page A–13. DO NOT install both a source neutral and a bonding jumper. See Table O through Table Q for system neutral bonding jumper wire sizes. Bonding jumper must be copper wire.

**CAUTION**



HIGH IMPEDANCE GROUND SOURCES - If the source of supply is a high impedance ground (IT) type, the input neutral conductor must be connected from the source of supply. If there is no output neutral connected to the UPS, the neutral-forming transformer kit (PN 103005400) may be used instead of pulling a neutral from the source. If the load requires a neutral then an input neutral conductor must be pulled into the UPS. In no circumstances shall a neutral to ground bonding jumper be installed in the UPS.

**CAUTION**



DELTA SOURCES (TN-S) - The Powerware 9390 UPS system can be operated only from a delta supply source that is fully floating and if the neutral-forming transformer kit (PN 103005400) is installed in the UPS. The UPS cannot be operated from a mid-point or end-point grounded delta supply source. With this type of supply source, there is no capability to provide an output neutral. In no circumstances shall a neutral to ground bonding jumper be installed in the UPS.

DESCRIPTION: <b>POWER WIRING INSTALLATION NOTES</b>	
DRAWING NO: 164201604–5	SHEET: 10 of 15
REVISION: B	DATE: 032406

- 28. See Drawing 164201604–7 for UPM terminal locations and Table H or Table I for termination requirements.
- 29. Setup of the CAN Bridge card for parallel operation must be performed by an authorized Eaton Customer Service Engineer. Contact service to schedule a date.
- 30. For parallel system circuit breaker ratings, see appropriate information in Table N.
- 31. For parallel system ratings, see the appropriate information in Table O through Table Q.

<b>Table N. Recommended UPM Output (MOB), Main Output (MIS), and Bypass (MBP) Circuit Breaker Ratings</b>							
<i>UPM Model</i>	<i>Configuration</i>	<i>Output Voltage</i>					
		<i>208V/220V</i>			<i>480V</i>		
		<i>MOB</i>	<i>MIS</i>	<i>MBP</i>	<i>MOB</i>	<i>MIS</i>	<i>MBP</i>
9390–120/100 9390–160/100	1+1	500	500	500	200	200	200
	2+0 and 2+1	500	1000	1000	200	400	400
	3+0 and 3+1	500	1600	1600	200	600	600
	4+0	500	2000	2000	200	800	800
9390–120/120 9390–160/120	1+1	500	500	500	200	200	200
	2+0 and 2+1	500	1000	1000	200	400	400
	3+0 and 3+1	500	1600	1600	200	600	600
	4+0	500	2000	2000	200	800	800
9390–160/160	1+1	600	600	600	250	250	250
	2+0 and 2+1	600	1200	1200	250	500	500
	3+0 and 3+1	600	2000	2000	250	800	800
	4+0	600	2400	2400	250	1000	1000

<i>DESCRIPTION:</i> <b>POWER WIRING INSTALLATION NOTES</b>	
<i>DRAWING NO:</i> 164201604–5	<i>SHEET:</i> 11 of 15
<i>REVISION:</i> A	<i>DATE:</i> 091505

**Table O. INPUT/OUTPUT Ratings for Powerware 9390–120/100 and 9390–160/100 Parallel Systems**

Configuration			Units		Rating 50/60 Hz	
			kVA kW	100 90	100 90	
	<b>Basic Unit Rating at 0.9 lagging pF load</b>					
	<b>Input and Bypass Input</b>		VOLTS	208/220	480	
	<b>Output</b>		VOLTS	208/220	480	
All	<b>AC Input from UPM</b>	<b>D</b>	Amps	278/262	120	
	Full Load Current for each Module (3) Phases, (1) Neutral—if required, (1) Ground		AWG or kcmil (each)	See Table E through Table G for wire size.		
1 + 1	<b>AC Input to Tie Cabinet Bypass (optional)</b>	<b>F</b>	Amps	278/262	120	
	Full Load Current (3) Phases, (1) Neutral—if required, (1) Ground					
	<b>AC Output to Critical Load</b>	<b>G</b>	Amps	278/262	120	
Full Load Current (3) Phases, (1) Neutral—if required, (1) Ground						
	<b>System Neutral Bonding Jumper</b>	—	AWG or kcmil (each)	1/0 (1)	4 (1)	
2 + 0 and 2 + 1	<b>AC Input to Tie Cabinet Bypass (optional)</b>	<b>F</b>	Amps	556/524	240	
	Full Load Current (3) Phases, (1) Neutral—if required, (1) Ground					
	<b>AC Output to Critical Load</b>	<b>G</b>	Amps	556/524	240	
Full Load Current (3) Phases, (1) Neutral—if required, (1) Ground						
	<b>System Neutral Bonding Jumper</b>	—	AWG or kcmil (each)	3/0 (1)	1/0 (1)	
3 + 0 and 3 + 1	<b>AC Input to Tie Cabinet Bypass (optional)</b>	<b>F</b>	Amps	834/786	360	
	Full Load Current (3) Phases, (1) Neutral—if required, (1) Ground					
	<b>AC Output to Critical Load</b>	<b>G</b>	Amps	834/786	360	
Full Load Current (3) Phases, (1) Neutral—if required, (1) Ground						
	<b>System Neutral Bonding Jumper</b>	—	AWG or kcmil (each)	1/0 (2)	2/0 (1)	
4 + 0	<b>AC Input to Tie Cabinet Bypass (optional)</b>	<b>F</b>	Amps	1112/1048	480	
	Full Load Current (3) Phases, (1) Neutral—if required, (1) Ground					
	<b>AC Output to Critical Load</b>	<b>G</b>	Amps	1112/1048	480	
Full Load Current (3) Phases, (1) Neutral—if required, (1) Ground						
	<b>System Neutral Bonding Jumper</b>	—	AWG or kcmil (each)	2/0 (2)	2/0 (1)	

**NOTE:** Callout letters **D**, **F**, and **G** map to Drawing 164201604–4, sheets 4 of 6, 5 of 6, and 6 of 6.

DESCRIPTION: <b>POWER WIRING INSTALLATION NOTES</b>	
DRAWING NO: 164201604–5	SHEET: 12 of 15
REVISION: <b>B</b>	DATE: 032406

**Table P. INPUT/OUTPUT Ratings for Powerware 9390–120/120 and 9390–160/120 Parallel Systems**

Configuration			Units		Rating 50/60 Hz	
			kVA kW	120 108	120 108	
	<b>Basic Unit Rating at 0.9 lagging pF load</b>					
	<b>Input and Bypass Input Output</b>		VOLTS VOLTS	208/220 208/220	480 480	
All	<b>AC Input from UPM</b> Full Load Current for each Module (3) Phases, (1) Neutral—if required, (1) Ground	<b>D</b>	Amps	333/315	144	
	Minimum Conductor Size for each Module Number per Phase for each Module		AWG or kcmil (each)	See Table E through Table G for wire size.		
1 + 1	<b>AC Input to Tie Cabinet Bypass (optional)</b> Full Load Current (3) Phases, (1) Neutral—if required, (1) Ground	<b>F</b>	Amps	333/315	144	
	<b>AC Output to Critical Load</b> Full Load Current (3) Phases, (1) Neutral—if required, (1) Ground	<b>G</b>	Amps	333/315	144	
	<b>System Neutral Bonding Jumper</b> Minimum Conductor Size Number (See Note 27)	—	AWG or kcmil (each)	1/0 (1)	4 (1)	
2+0 and 2+1	<b>AC Input to Tie Cabinet Bypass (optional)</b> Full Load Current (3) Phases, (1) Neutral—if required, (1) Ground	<b>F</b>	Amps	666/630	288	
	<b>AC Output to Critical Load</b> Full Load Current (3) Phases, (1) Neutral—if required, (1) Ground	<b>G</b>	Amps	666/630	288	
	<b>System Neutral Bonding Jumper</b> Minimum Conductor Size Number (See Note 27)	—	AWG or kcmil (each)	3/0 (1)	1/0 (1)	
3+0 and 3+1	<b>AC Input to Tie Cabinet Bypass (optional)</b> Full Load Current (3) Phases, (1) Neutral—if required, (1) Ground	<b>F</b>	Amps	999/945	432	
	<b>AC Output to Critical Load</b> Full Load Current (3) Phases, (1) Neutral—if required, (1) Ground	<b>G</b>	Amps	999/945	432	
	<b>System Neutral Bonding Jumper</b> Minimum Conductor Size Number (See Note 27)	—	AWG or kcmil (each)	1/0 (2)	2/0 (1)	
4+0	<b>AC Input to Tie Cabinet Bypass (optional)</b> Full Load Current (3) Phases, (1) Neutral—if required, (1) Ground	<b>F</b>	Amps	1332/1260	576	
	<b>AC Output to Critical Load</b> Full Load Current (3) Phases, (1) Neutral—if required, (1) Ground	<b>G</b>	Amps	1332/1260	576	
	<b>System Neutral Bonding Jumper</b> Minimum Conductor Size Number (See Note 27)	—	AWG or kcmil (each)	2/0 (2)	2/0 (1)	

**NOTE:** Callout letters **D**, **F**, and **G** map to Drawing 164201604–4, sheets 4 of 6, 5 of 6, and 6 of 6.

DESCRIPTION: <b>POWER WIRING INSTALLATION NOTES</b>	
DRAWING NO: 164201604–5	SHEET: 13 of 15
REVISION: <b>B</b>	DATE: 032406



<b>Table Q. INPUT/OUTPUT Ratings for Powerware 9390–160/160 Parallel System</b>				
Configuration			Units	Rating 50/60 Hz
	<b>Basic Unit Rating at 0.9 lagging pF load</b>		kVA kW	160 144
	<b>Input and Bypass Input Output</b>		VOLTS VOLTS	208/220 208/220
All	<b>AC Input from UPM</b> Full Load Current for each Module (3) Phases, (1) Neutral—if required, (1) Ground	<b>D</b>	Amps	444/420
	Minimum Conductor Size for each Module Number per Phase for each Module		AWG or kcmil (each)	See Table E through Table G for wire size.
1 + 1	<b>AC Input to Tie Cabinet Bypass (optional)</b> Full Load Current (3) Phases, (1) Neutral—if required, (1) Ground	<b>F</b>	Amps	444/420
	<b>AC Output to Critical Load</b> Full Load Current (3) Phases, (1) Neutral—if required, (1) Ground	<b>G</b>	Amps	444/420
	<b>System Neutral Bonding Jumper</b> Minimum Conductor Size Number (See Note 27)	—	AWG or kcmil (each)	2/0 (1)
2+0 and 2+1	<b>AC Input to Tie Cabinet Bypass (optional)</b> Full Load Current (3) Phases, (1) Neutral—if required, (1) Ground	<b>F</b>	Amps	888/840
	<b>AC Output to Critical Load</b> Full Load Current (3) Phases, (1) Neutral—if required, (1) Ground	<b>G</b>	Amps	888/840
	<b>System Neutral Bonding Jumper</b> Minimum Conductor Size Number (See Note 27)	—	AWG or kcmil (each)	1/0 (2)
3+0 and 3+1	<b>AC Input to Tie Cabinet Bypass (optional)</b> Full Load Current (3) Phases, (1) Neutral—if required, (1) Ground	<b>F</b>	Amps	1332/1260
	<b>AC Output to Critical Load</b> Full Load Current (3) Phases, (1) Neutral—if required, (1) Ground	<b>G</b>	Amps	1332/1260
	<b>System Neutral Bonding Jumper</b> Minimum Conductor Size Number (See Note 27)	—	AWG or kcmil (each)	2/0 (2)
4+0	<b>AC Input to Tie Cabinet Bypass (optional)</b> Full Load Current (3) Phases, (1) Neutral—if required, (1) Ground	<b>F</b>	Amps	1776/1680
	<b>AC Output to Critical Load</b> Full Load Current (3) Phases, (1) Neutral—if required, (1) Ground	<b>G</b>	Amps	1776/1680
	<b>System Neutral Bonding Jumper</b> Minimum Conductor Size Number (See Note 27)	—	AWG or kcmil (each)	3/0 (2)

**NOTE:** Callout letters **D**, **F**, and **G** map to Drawing 164201604–4, sheets 4 of 6, 5 of 6, and 6 of 6.

DESCRIPTION: <b>POWER WIRING INSTALLATION NOTES</b>	
DRAWING NO: 164201604–5	SHEET: 14 of 15
REVISION: <b>B</b>	DATE: 032406

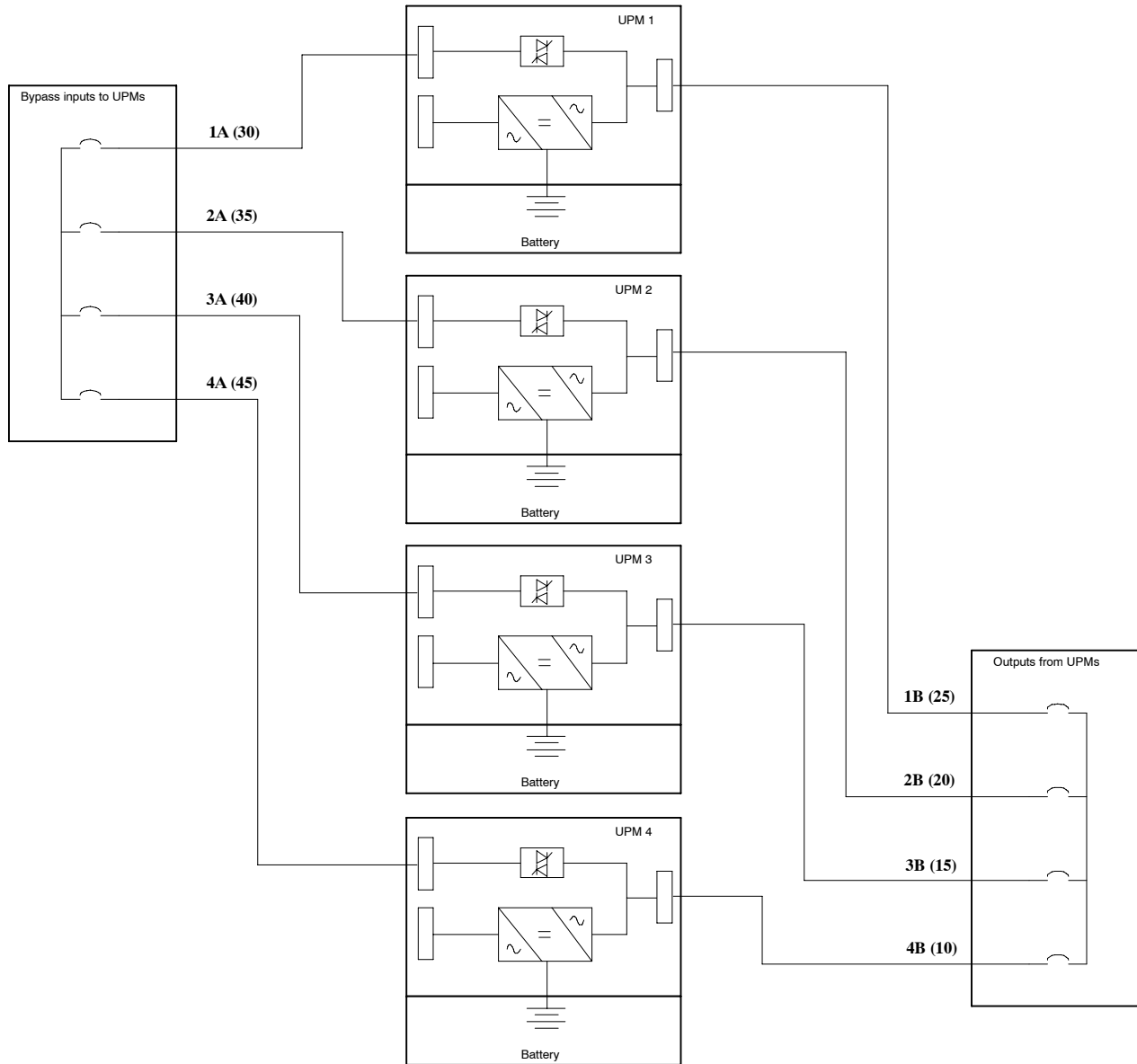
**32.** Required parallel system wiring length must be in accordance with the following formula, as referenced to the diagram below, to ensure approximately equal current sharing when in Static Bypass mode:

$$(\text{Total length of } 1A + 1B) \cong (\text{Total length of } 2A + 2B) \cong (\text{Total length of } 3A + 3B) \cong (\text{Total length of } 4A + 4B)$$

$$(30 + 25) \cong (35 + 20) \cong (40 + 15) \cong (45 + 10)$$

This rule has a tolerance of approximately  $\pm 10\%$  for the combined input and output wire lengths.

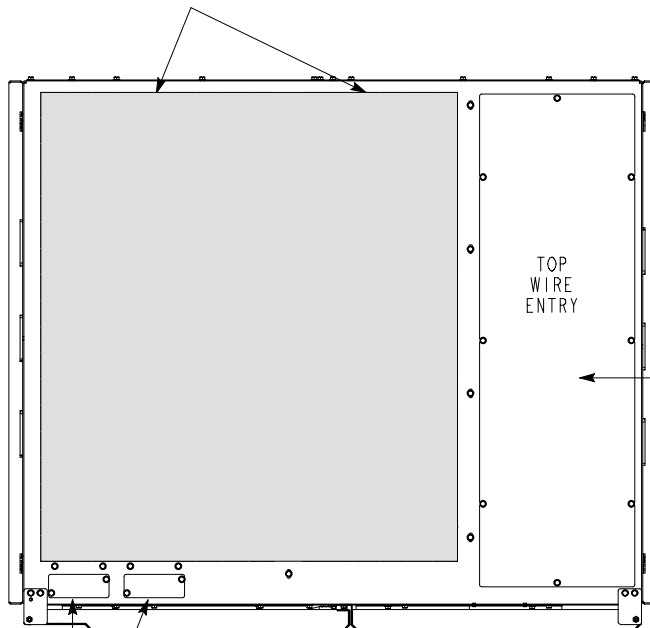
If installing only two UPMs in a fully redundant system, this requirement is no longer required, as each UPM is capable of supporting the full bypass requirement. However, this would preclude future expansion.



**NOTE:** Wire lengths in the diagram and formula are in feet and are for example only.

DESCRIPTION: <b>POWER WIRING INSTALLATION NOTES</b>	
DRAWING NO: 164201604-5	SHEET: 15 of 15
REVISION: A	DATE: 091505

REMOVE DEBRIS SHIELD  
COVERING EXHAUST GRILL  
BEFORE OPERATING SYSTEM.

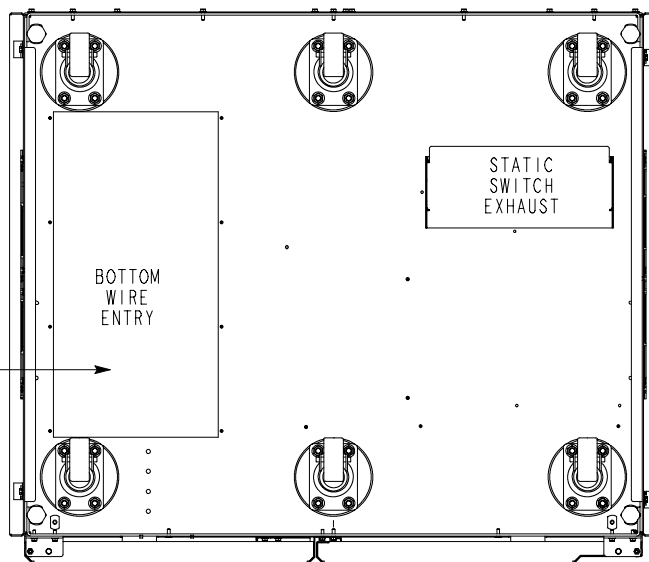


TOP ENTRY CONDUIT LANDING  
FOR AC INPUT AND OUTPUT,  
DC INPUT, DC CONTROL, AND  
INTERFACE CONNECTIONS.  
(REMOVE PANEL TO DRILL OR  
PUNCH CONDUIT HOLES.)

**TOP VIEW**

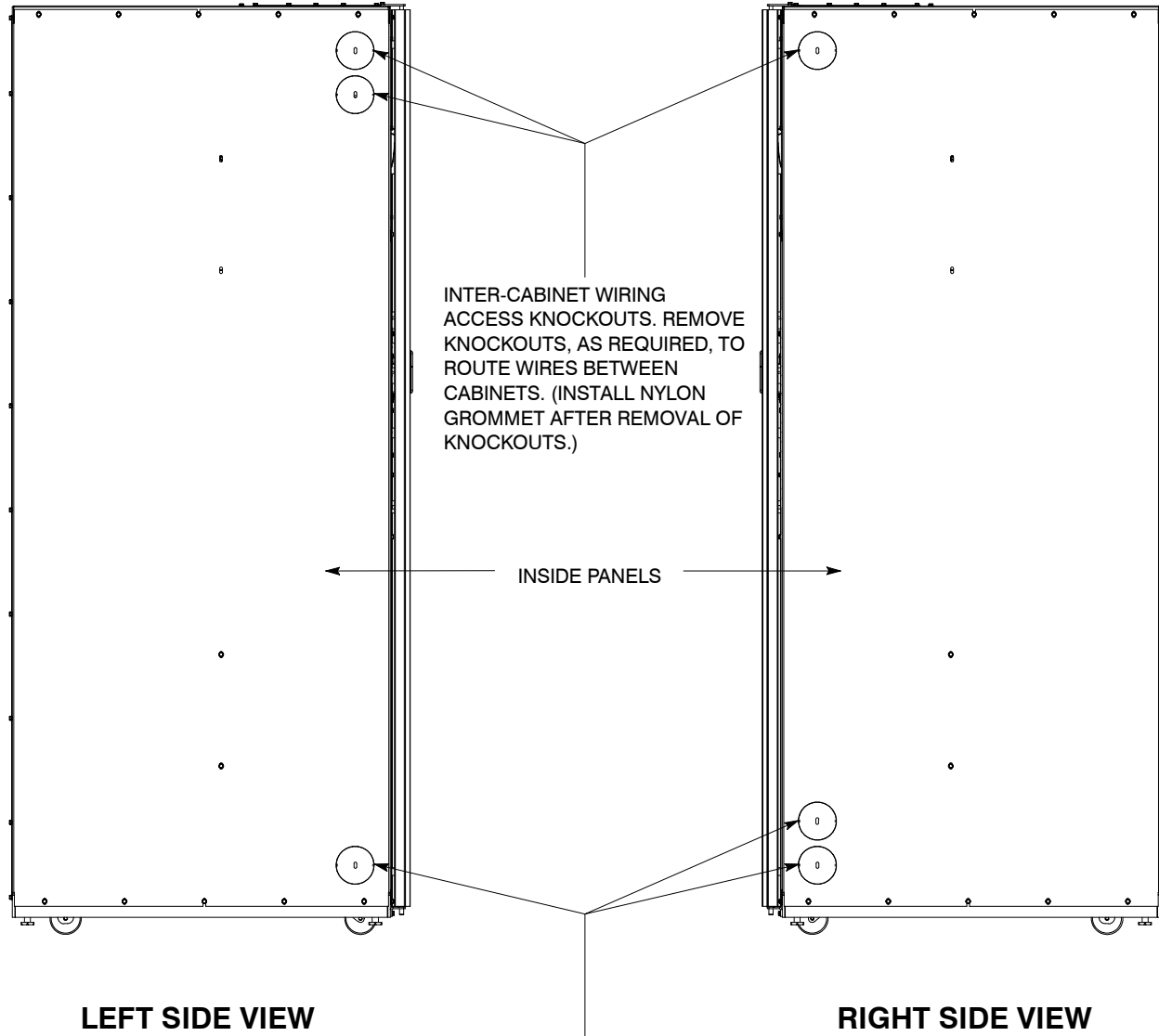
CONDUIT LANDINGS FOR  
X-SLOT CONNECTIONS.  
(REMOVE PANELS TO DRILL OR  
PUNCH CONDUIT HOLES.)

BOTTOM ENTRY CONDUIT  
LANDING FOR AC INPUT AND  
OUTPUT, DC INPUT, DC  
CONTROL, AND INTERFACE  
CONNECTIONS.  
(REMOVE PANEL TO DRILL OR  
PUNCH CONDUIT HOLES.)

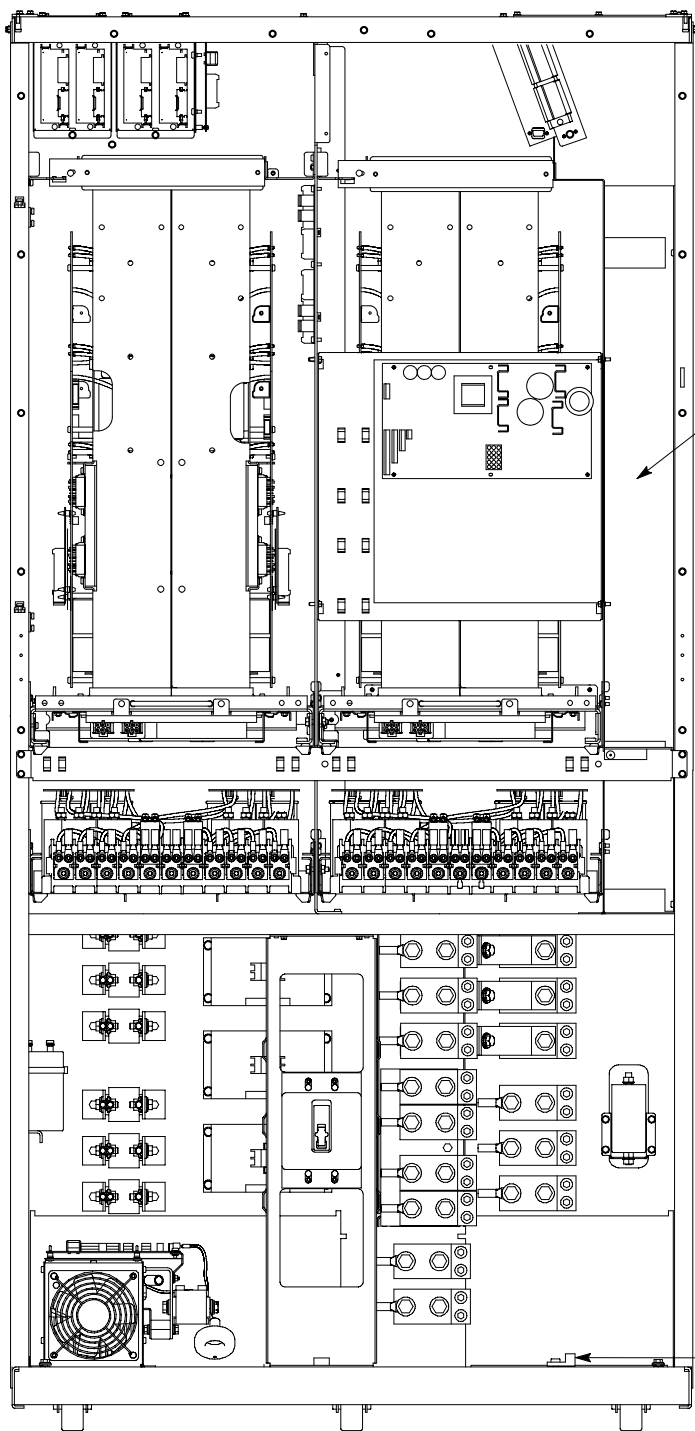


**BOTTOM VIEW**

<b>DESCRIPTION: CONDUIT AND WIRE ENTRY LOCATIONS</b>		
<b>DRAWING NO:</b> 164201604-6	<b>SHEET:</b> 1 of 2	
<b>REVISION:</b> A	<b>DATE:</b> 091505	



<b>DESCRIPTION:</b> CONDUIT AND WIRE ENTRY LOCATIONS	
<b>DRAWING NO:</b> 164201604-6	<b>SHEET:</b> 2 of 2
<b>REVISION:</b> A	<b>DATE:</b> 091505



WIREWAY FOR TOP ENTRY POWER WIRING

AC INPUT TO UPS RECTIFIER AND BYPASS (A, B, C, N)

AC OUTPUT TO CRITICAL LOAD (A, B, C, N)

DC INPUT FROM BATTERY TO UPS (+ AND -)

SEE SHEET 2 FOR DETAILS

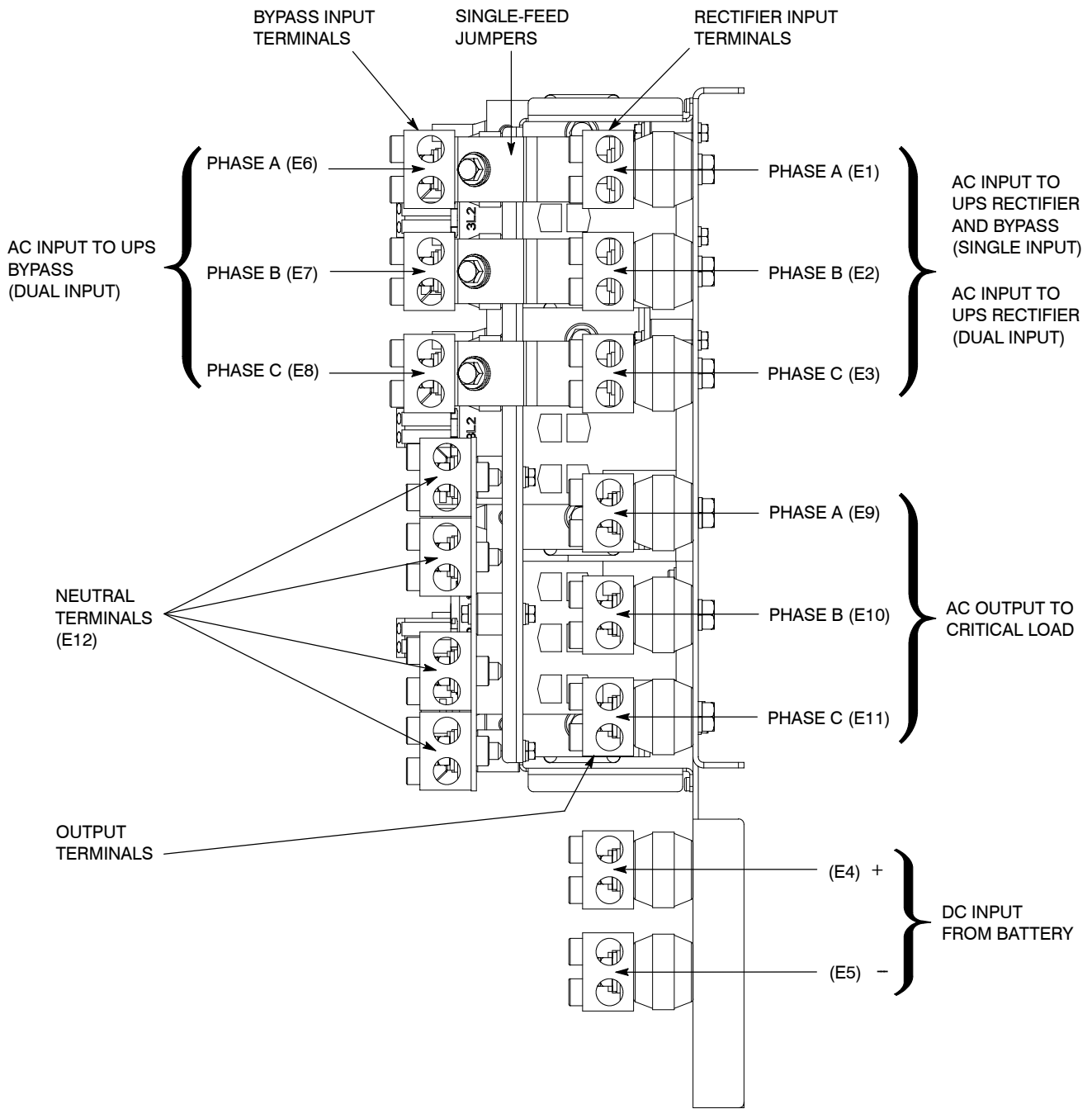
GROUND TERMINALS

**MODELS 120/100 AND 120/120  
480V INPUT AND 480V OUTPUT**

**NOTE:** Metal shields covering wiring terminals must be removed or opened to gain access to terminals.

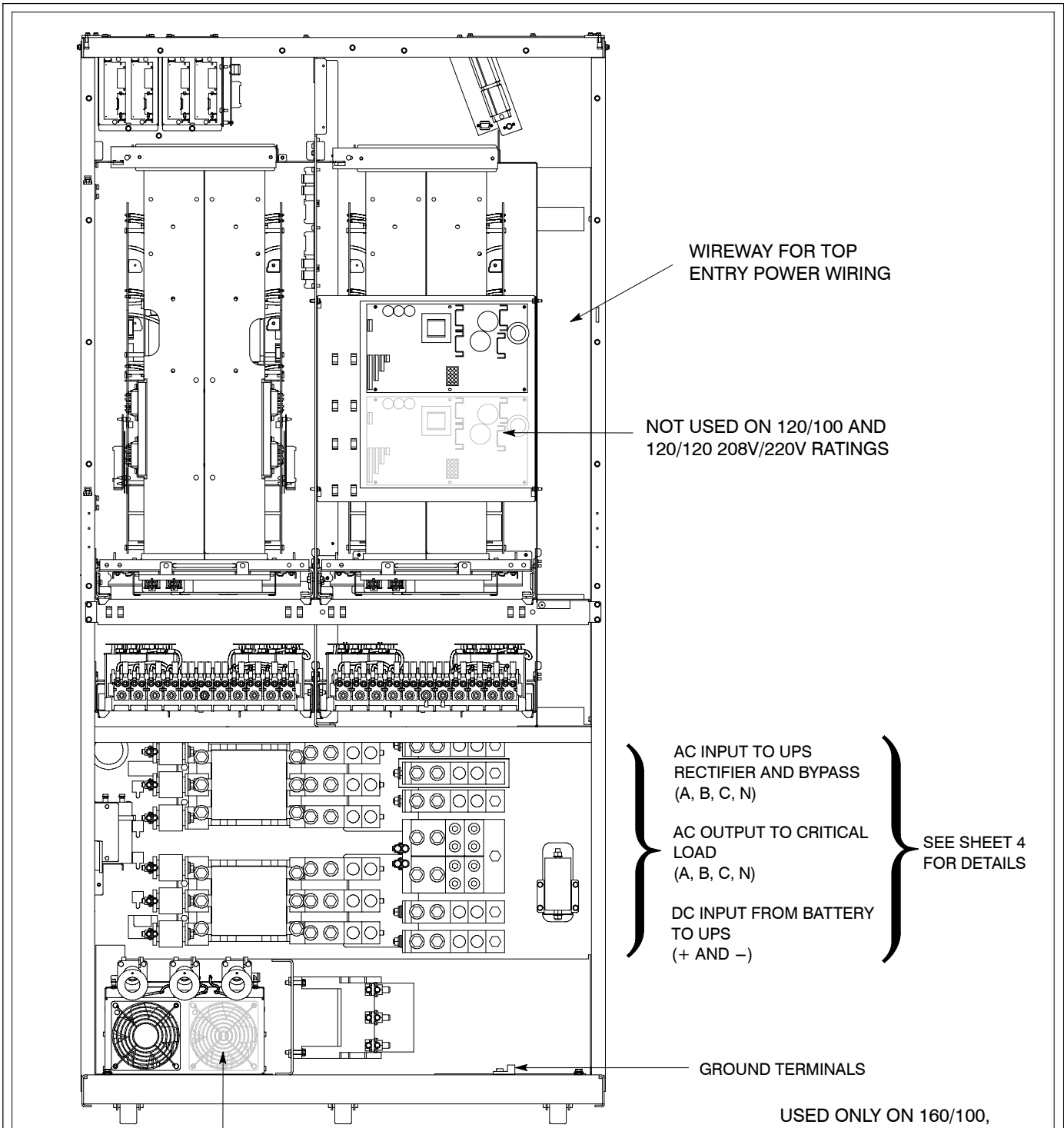
DESCRIPTION: <b>UPS POWER TERMINAL LOCATIONS</b>	
DRAWING NO: 164201604-7	SHEET: 1 of 4
REVISION: B	DATE: 032406

### TERMINAL DETAIL RIGHT SIDE VIEW



### MODELS 120/100 AND 120/120 480V INPUT AND 480V OUTPUT

DESCRIPTION: <b>UPS POWER TERMINAL LOCATIONS</b>	
DRAWING NO: 164201604-7	SHEET: 2 of 4
REVISION: A	DATE: 091505



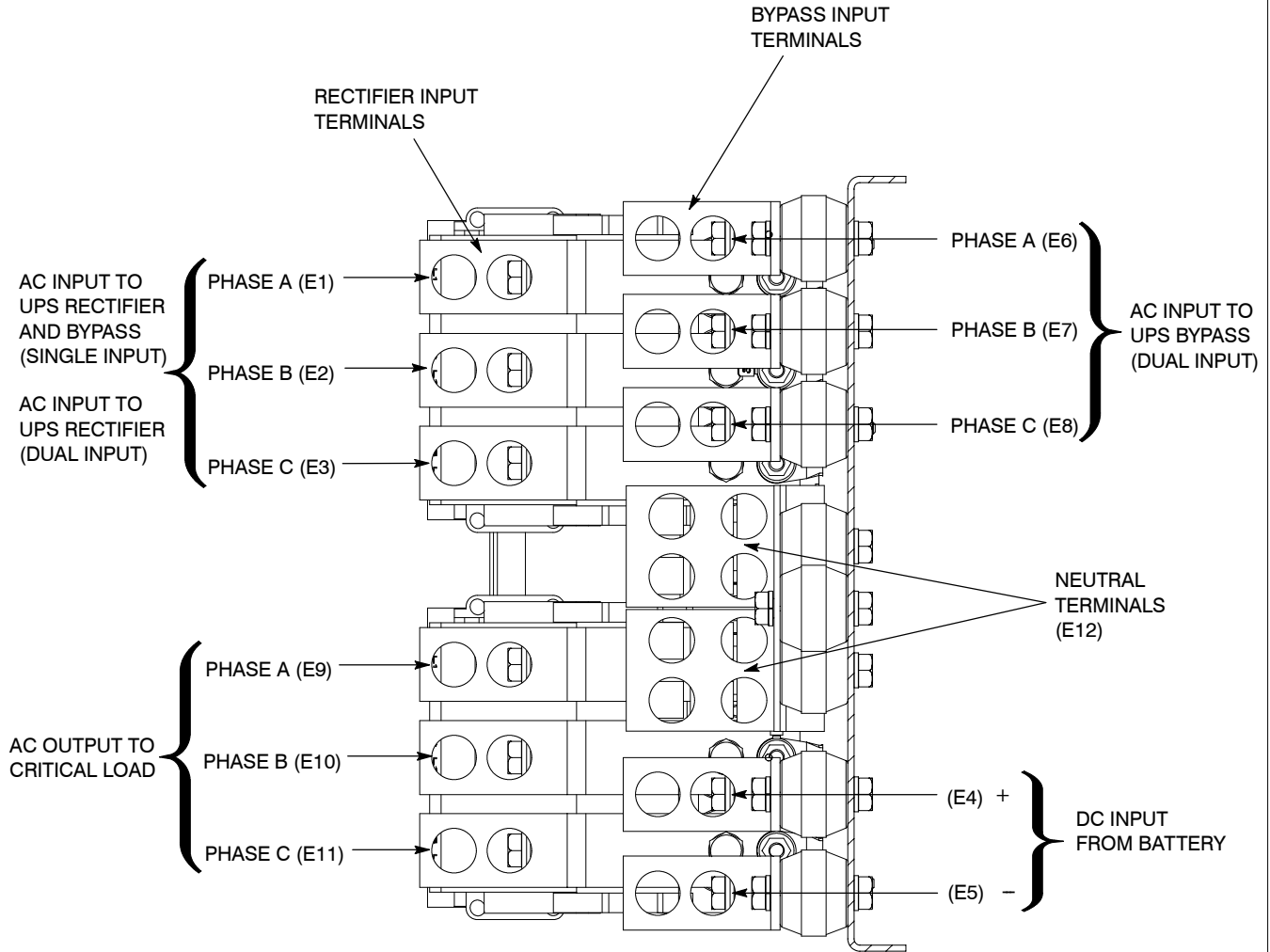
**MODELS 120/100, 120/120, 160/100, 160/120, AND 160/160  
208V/220V INPUT AND 208V/220V OUTPUT  
MODELS 160/100, 160/120, AND 160/160  
480V INPUT AND 480V OUTPUT**

**NOTE:** Metal shields covering wiring terminals must be removed or opened to gain access to terminals.

USED ONLY ON 160/100,  
160/120, AND 160/160  
208V/220V RATINGS

DESCRIPTION: <b>UPS POWER TERMINAL LOCATIONS</b>		
DRAWING NO:	164201604-7	SHEET: 3 of 4
REVISION:	B	DATE: 032406

**TERMINAL DETAIL  
RIGHT SIDE VIEW**



**MODELS 120/100, 120/120, 160/100, 160/120, AND 160/160  
208V/220V INPUT AND 208V/220V OUTPUT**

**MODELS 160/100, 160/120, AND 160/160  
480V INPUT AND 480V OUTPUT**

<b>DESCRIPTION: UPS POWER TERMINAL LOCATIONS</b>	
<b>DRAWING NO:</b> 164201604-7	<b>SHEET:</b> 4 of 4
<b>REVISION:</b> A	<b>DATE:</b> 091505



1. Use Class 1 wiring methods (as defined by the NEC) for interface wiring up to 30V. The wire should be rated at 24V, 1A minimum.
2. Use Class 2 wiring methods (as defined by the NEC) for interface wiring from 30 to 600V.
3. When installing external interface wiring (for example, building alarm, relay output, battery breaker trip, and X-Slot) to the UPS interface terminals, conduit must be installed between each device and the UPS cabinet. Install the interface wiring in separate conduit from the power wiring.
4. When installing internal interface wiring to X-Slot terminals, route the wiring through the internal opening in the X-Slot communication bay.
5. All building alarm inputs or remote features require an isolated normally-open contact or switch (rated at 24 Vdc, 20 mA minimum) connected between the alarm input and common terminal as shown. All control wiring and relay and switch contacts are customer-supplied. Use twisted-pair wires for each alarm input and common.
6. The building alarms can be programmed to display the alarm functional name.
7. See Table R through Table X and Chapters 3, 5, and 6 for customer interface wiring.
8. LAN and telephone drops for use with X-Slot connectivity cards must be provided by facility planners or the customer.

<b>Table R. TB1 and TB2 Interface Connections</b>		
<i>Terminal TB1</i>	<i>Name</i>	<i>Description</i>
1	Remote EPO NC	Normally-closed dry contacts used to activate EPO of UPS from a remote switch
2	Remote EPO Common	
3	Remote EPO NO	Normally-open dry contacts used to activate EPO of UPS from a remote switch
4	Remote EPO Common	
5	Battery Breaker Aux	Contacts used to indicate whether UPS battery breaker or disconnect is open or closed.
6	Battery Breaker Aux Return	
7	Battery UVR (+)	Contacts used to open battery breaker or disconnect.
8	Battery UVR (-)	
9	Building Alarm 1	Programmable UPS alarm. Activated by a remote dry contact closure.
10	Building Alarm 1 Return	
<i>Terminal TB2</i>	<i>Name</i>	<i>Description</i>
1	Building Alarm 2	Programmable UPS alarm. Activated by a remote dry contact closure. Also used for backup control (pull chain) for parallel operation.
2	Building Alarm 2 Return	
3	On Bypass Return	Normally-open contact closes when UPS is on bypass. Also used for backup control (pull chain) for parallel operation.
4	On Bypass NO	
5	Alarm Relay NC	General purpose normally-closed relay contact.
6	Alarm Relay Common	
7	Alarm Relay NO	General purpose normally-open relay contact.
8	Alarm Relay Common	
9	On Inverter NC	Normally-closed contact opens when output contactor closes.
10	On Inverter Return	

**DESCRIPTION: INTERFACE WIRING INSTALLATION  
NOTES AND TERMINAL LOCATIONS**

**DRAWING NO:** 164201604-8

**SHEET:** 1 of 13

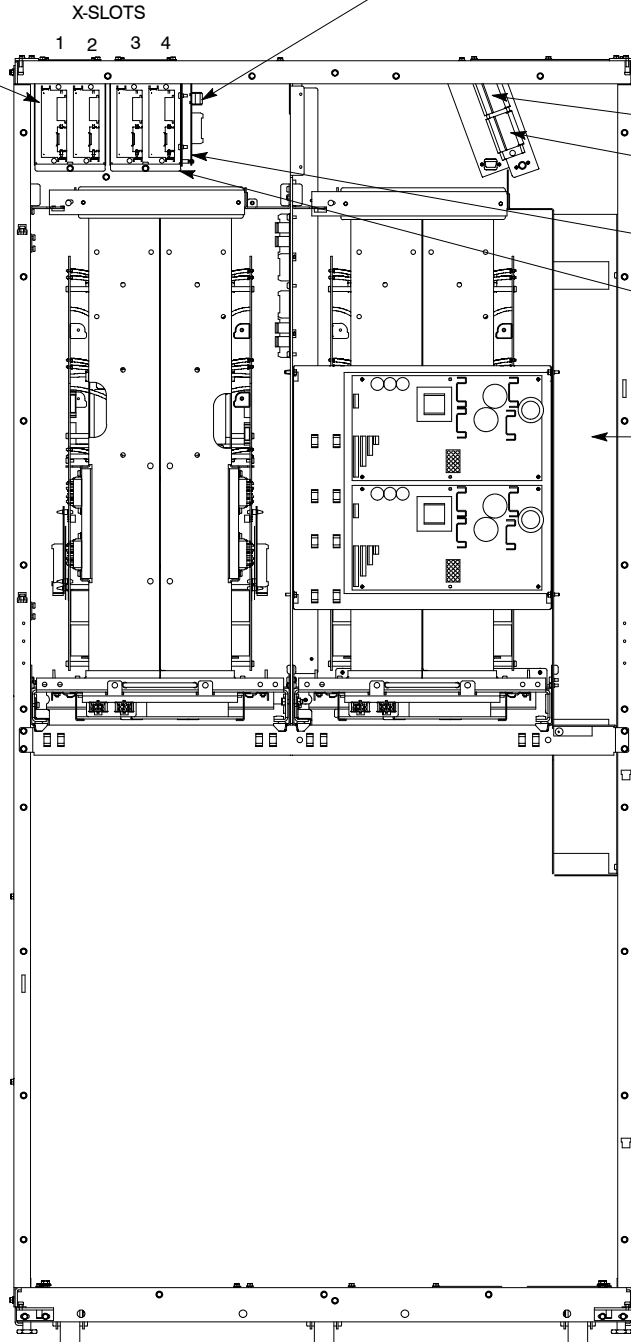
**REVISION:** B

**DATE:** 032406

## INTERFACE TERMINAL LOCATIONS

STANDARD  
X-SLOT COMMUNICATION BAY

MINI-CSB BUILDING  
ALARM TERMINAL  
BLOCK P5



TB1

TB2

OPTIONAL MINI-CSB

OPTIONAL X-SLOT  
COMMUNICATION BAY

WIREWAY FOR BOTTOM ENTRY  
INTERFACE WIRING

**NOTE:** Metal shields covering wiring terminals must be removed or opened to gain access to terminals.

DESCRIPTION: **INTERFACE WIRING INSTALLATION  
NOTES AND TERMINAL LOCATIONS**

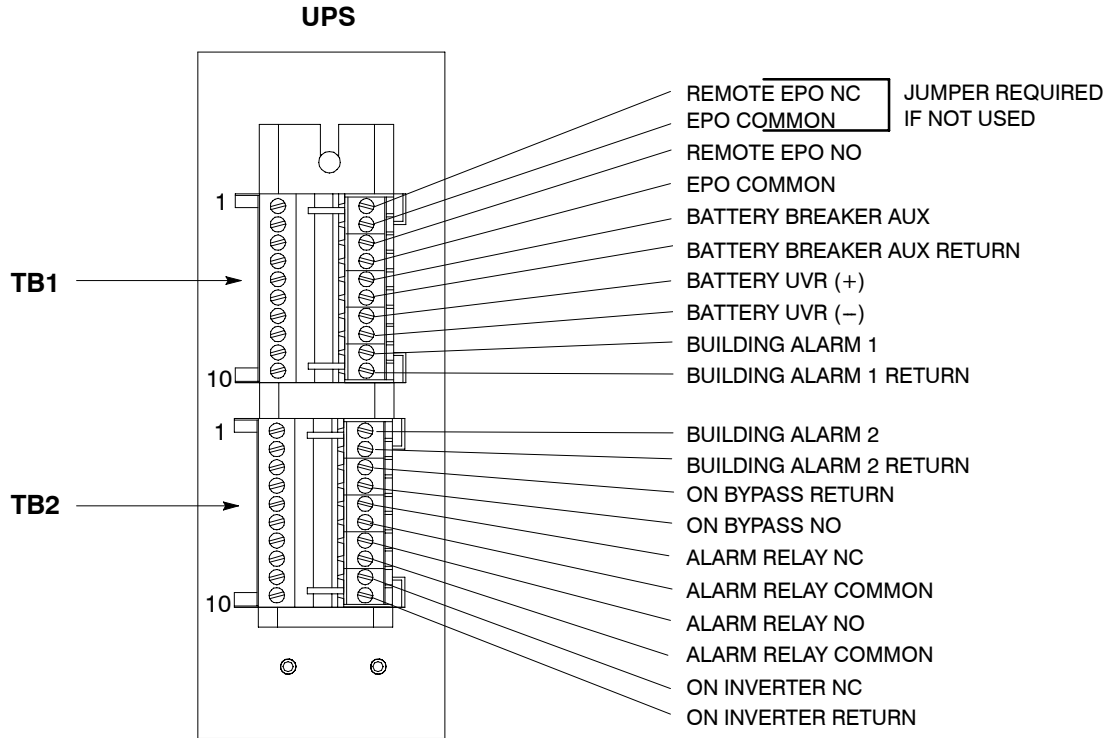
DRAWING NO: 164201604-8

SHEET: 2 of 13

REVISION: **B**

DATE: 032406

## INTERFACE TERMINALS



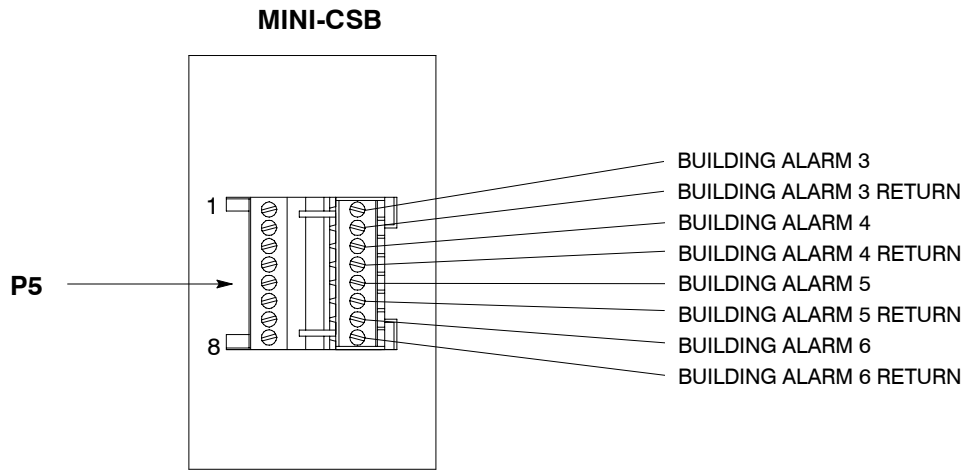
**NOTE:** 1. All building alarm inputs require an isolated normally-open or normally-closed contact or switch (rated at 24 Vdc, 20 mA minimum) connected between the alarm input and common terminal as shown. Building alarm inputs can be programmed for use with either normally-open or normally-closed contacts. All control wiring and relay and switch contacts are customer-supplied.

2. The building alarms can be programmed to display the alarm functional name.

3. A jumper wire must be connected between pins 1 and 2 on TB1, if the normally-closed EPO contact is not used.

DESCRIPTION: <b>INTERFACE WIRING INSTALLATION NOTES AND TERMINAL LOCATIONS</b>	
DRAWING NO: 164201604-8	SHEET: 3 of 13
REVISION: B	DATE: 032406

## MINI-CSB INTERFACE TERMINALS

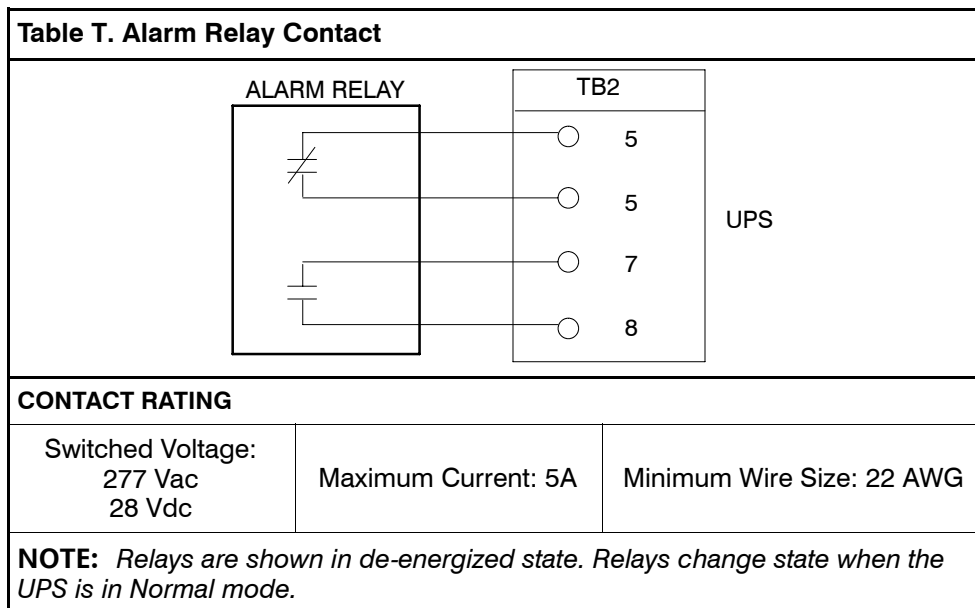
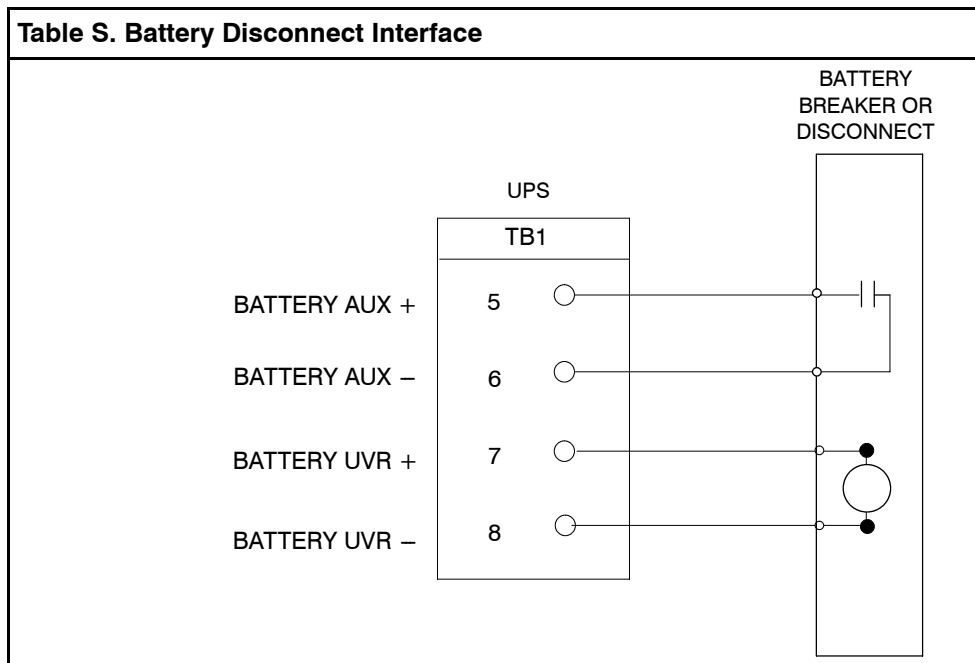


**NOTE:** 1. All building alarm inputs require an isolated normally-open or normally-closed contact or switch (rated at 24 Vdc, 20 mA minimum) connected between the alarm input and common terminal as shown. Building alarm inputs can be programmed for use with either normally-open or normally-closed contacts. All control wiring and relay and switch contacts are customer-supplied.

2. The building alarms can be programmed to display the alarm functional name.

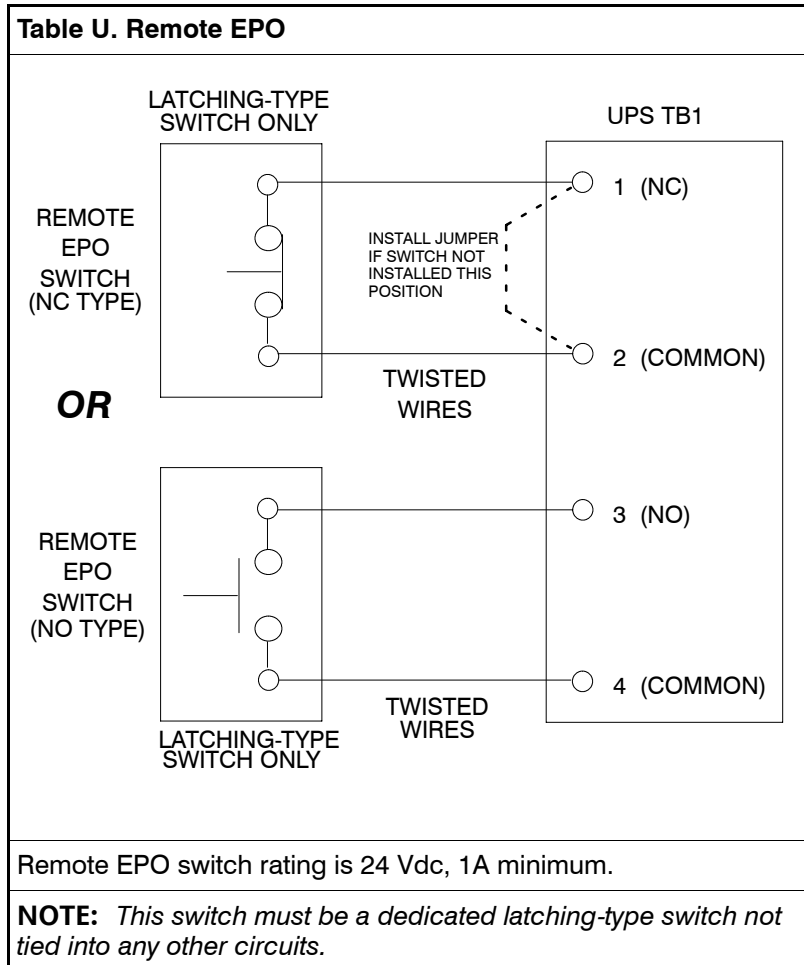
DESCRIPTION: <b>INTERFACE WIRING INSTALLATION NOTES AND TERMINAL LOCATIONS</b>	
DRAWING NO: 164201604-8	SHEET: 4 of 13
REVISION: A	DATE: 091505

- 9. The UPS DC UVR trip and Battery Aux signal wiring from the UPS must be connected to the DC source disconnect device.
- 10. Battery Aux and UVR wiring should be a minimum of 18 AWG.



<b>DESCRIPTION:</b> INTERFACE WIRING INSTALLATION NOTES AND TERMINAL LOCATIONS	
<b>DRAWING NO:</b> 164201604-8	<b>SHEET:</b> 5 of 13
<b>REVISION:</b> B	<b>DATE:</b> 032406

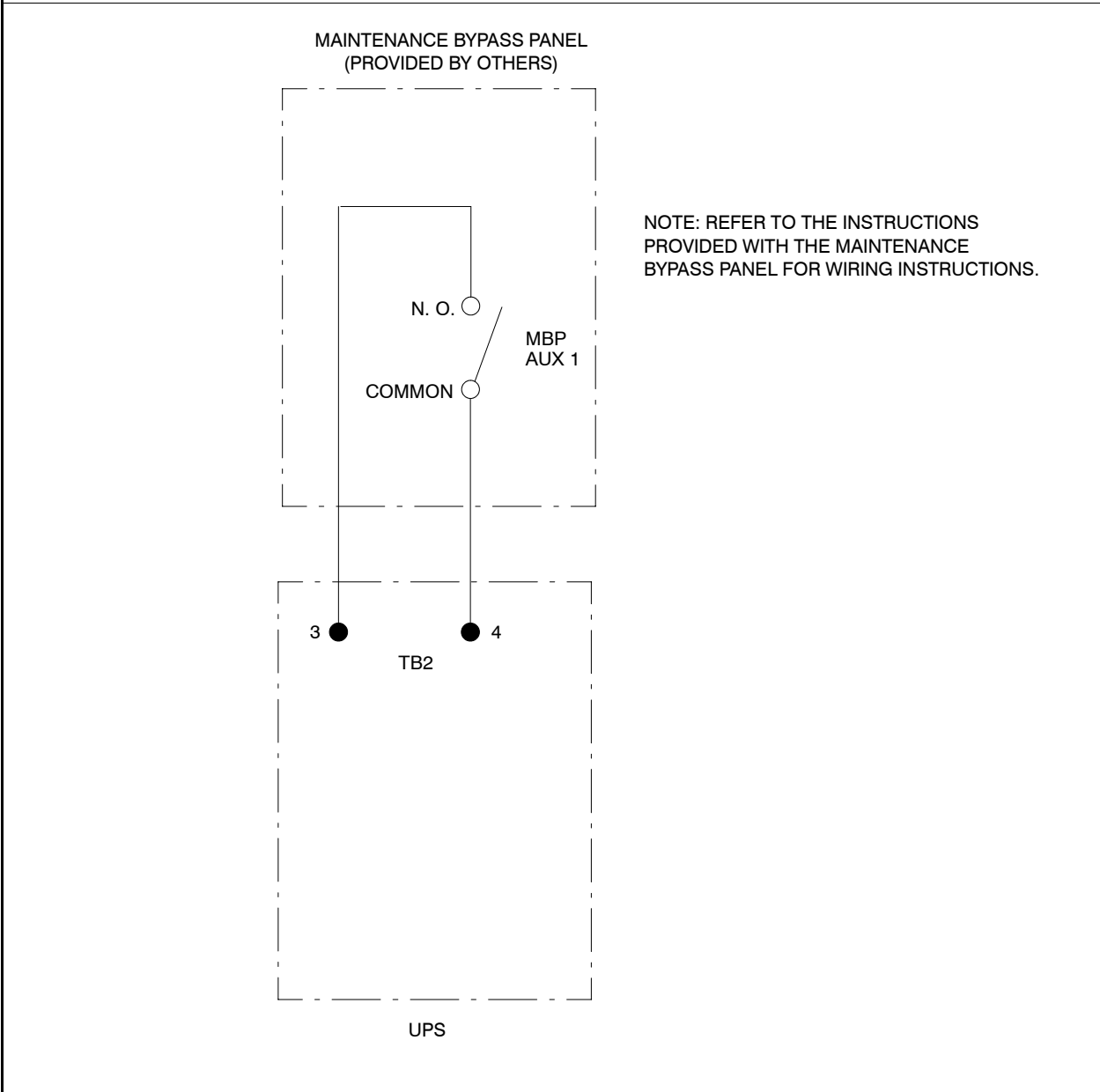
11. The Remote EPO feature opens all contactors in the UPS cabinet and isolates power from your critical load. Local electrical codes may also require tripping upstream protective devices to the UPS. This switch must be a dedicated latching-type switch not tied into any other circuit.
12. A jumper wire must be connected between pins 1 and 2 on TB1, if a normally-closed EPO switch is not used or a normally-open EPO switch is used.
13. Remote EPO wiring should be a minimum of 22 AWG.



<b>DESCRIPTION:</b> INTERFACE WIRING INSTALLATION NOTES AND TERMINAL LOCATIONS	
<b>DRAWING NO:</b> 164201604-8	<b>SHEET:</b> 6 of 13
<b>REVISION:</b> B	<b>DATE:</b> 032406

14. Wire the maintenance bypass auxiliary contacts as applicable. See Table V.

**Table V. Typical Maintenance Bypass Panel Auxiliary Contact Control Wiring**



NOTE: REFER TO THE INSTRUCTIONS PROVIDED WITH THE MAINTENANCE BYPASS PANEL FOR WIRING INSTRUCTIONS.

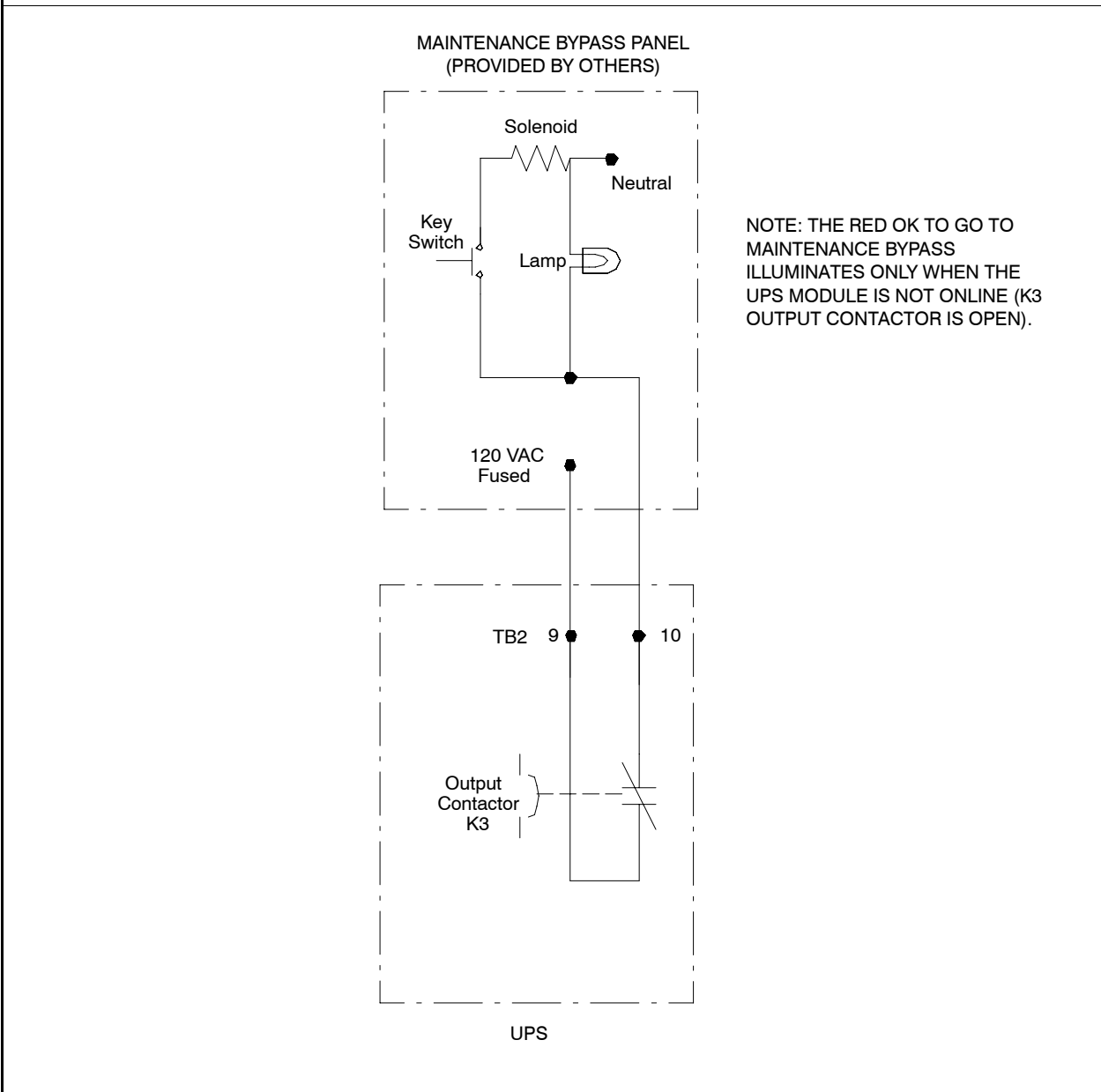
**AUX CONTACT RATING**  
 Refer to the instructions provided with the maintenance bypass panel for auxiliary contact ratings.

Minimum Wire Size: 22 AWG

<b>DESCRIPTION:</b> INTERFACE WIRING INSTALLATION NOTES AND TERMINAL LOCATIONS	
<b>DRAWING NO:</b> 164201604-8	<b>SHEET:</b> 7 of 13
<b>REVISION:</b> B	<b>DATE:</b> 032406

15. 120 Vac should be provided from the critical bus by facility planners or the customer. See Table W.

**Table W. Typical Maintenance Bypass Panel Key Switch Control Wiring**



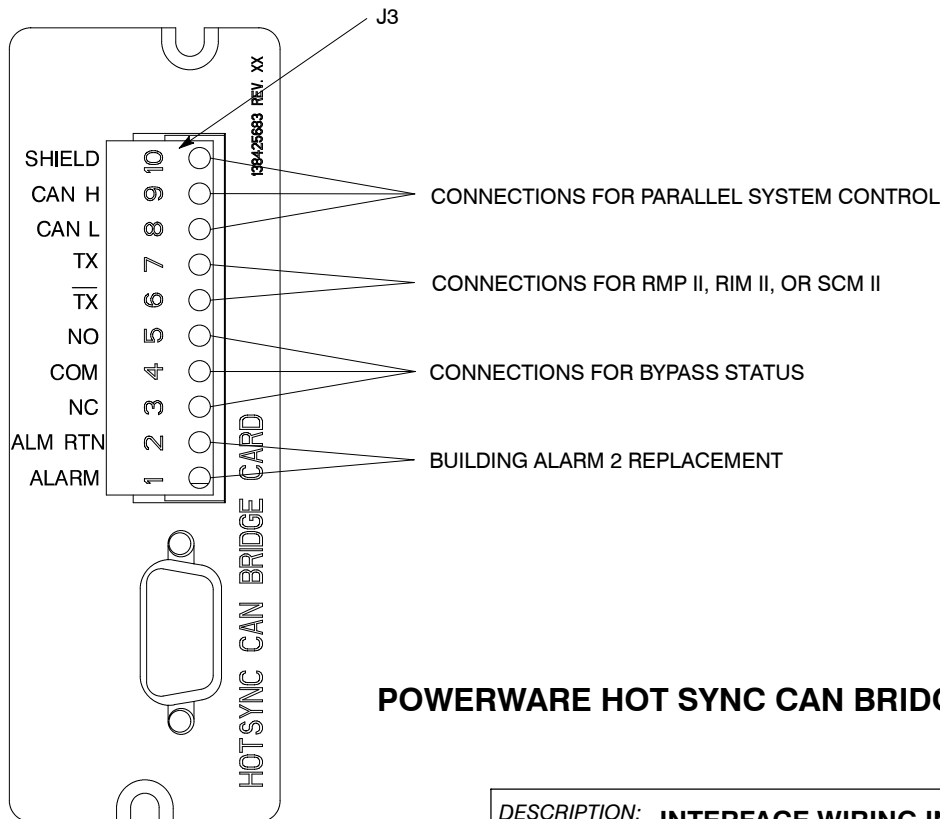
<b>K3 AUX CONTACT RATING</b>		Minimum Wire Size: 22 AWG
Switched Voltage:	120 Vac at 6A Maximum 240 Vac at 4A Maximum 24 Vdc at 6A Maximum	

<b>DESCRIPTION: INTERFACE WIRING INSTALLATION NOTES AND TERMINAL LOCATIONS</b>	
<b>DRAWING NO:</b> 164201604-8	<b>SHEET:</b> 8 of 13
<b>REVISION:</b> A	<b>DATE:</b> 091505



- 16. Conduit must be installed between the UPM cabinets for parallel interface wiring. Install the interface wiring in separate conduit from the power wiring.
- 17. Use Class 1 wiring methods (as defined by the NEC) for parallel interface wiring. The wire should be shielded twisted pair, rated for 5 amps maximum.
- 18. See Table X and Chapter 6 for Powerware Hot Sync CAN Bridge Card interface wiring.

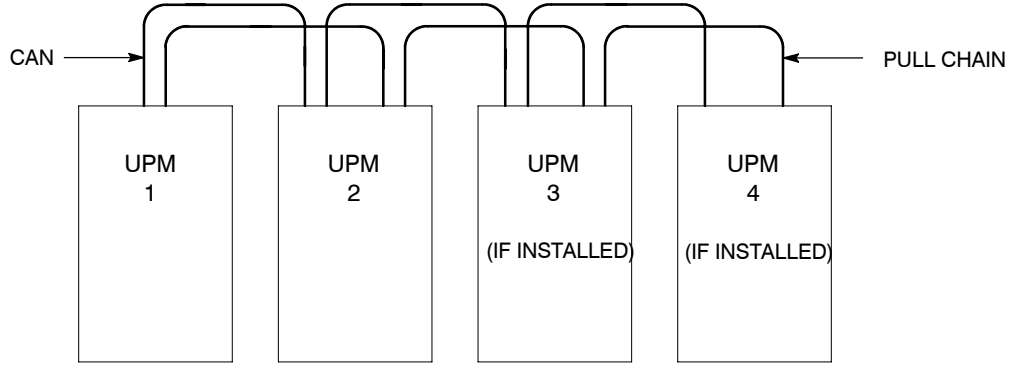
Terminal J3	Name	Description
1	Alarm	Programmable UPS alarm. Activated by a remote dry contact closure.
2	Alarm Rtn	
3	Alarm Relay NC	Normally-closed contact opens when UPS is on bypass.
4	Alarm Relay Com	Bypass contact return.
5	Alarm Relay NO	Normally-open contact closes when UPS is on bypass.
6	TX	Remote Monitor Panel II (RMP II), Relay Interface Module II (RIM II), and Supervisory Contact Module II (SCM II) connections.
7	$\overline{\text{TX}}$	
8	CAN L	Computer Area Network (CAN) Input for parallel operation.
9	CAN H	
10	Shield	



**POWERWARE HOT SYNC CAN BRIDGE CARD**

**NOTE:** All interface wiring is to be provided by the customer.

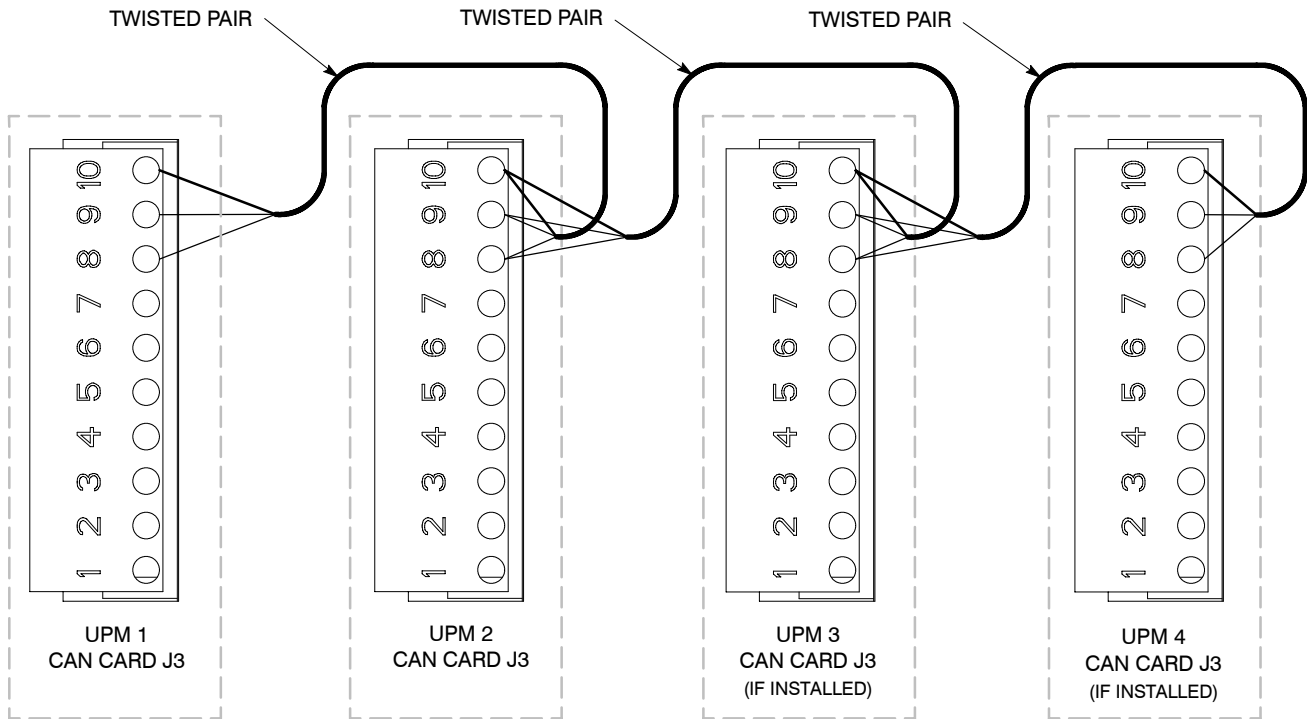
<b>DESCRIPTION:</b> INTERFACE WIRING INSTALLATION NOTES AND TERMINAL LOCATIONS	
<b>DRAWING NO:</b> 164201604-8	<b>SHEET:</b> 9 of 13
<b>REVISION:</b> A	<b>DATE:</b> 091505



**NOTE:** This drawing is for parallel wiring purposes and is not a floor layout plan. UPMs can be placed in any physical order.

**PARALLEL SYSTEM CAN AND BACKUP CONTROL (PULL CHAIN)**

CAN Wiring Terminations			
From UPM 1 CAN Card	To UPM 2 CAN Card	To UPM 3 CAN Card (If Installed)	To UPM 4 CAN Card (If Installed)
J3-8 (L)	J3-8 (L)	J3-8 (L)	J3-8 (L)
J3-9 (H)	J3-9 (H)	J3-9 (H)	J3-9 (H)
J3-10 (Shield)	J3-10 (Shield)	J3-10 (Shield)	J3-10 (Shield)

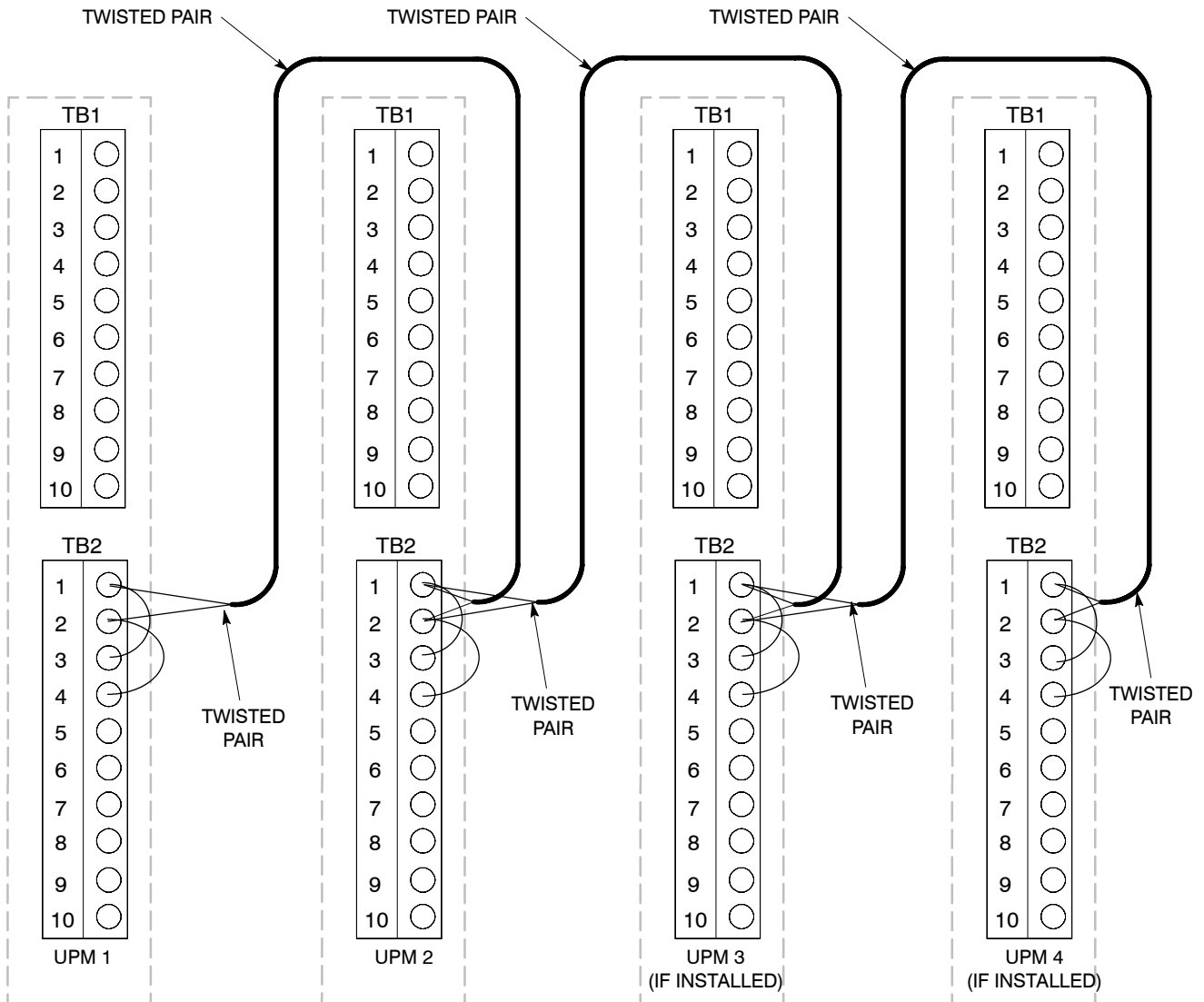


**PARALLEL SYSTEM CAN WIRING**

DESCRIPTION: <b>INTERFACE WIRING INSTALLATION NOTES AND TERMINAL LOCATIONS</b>	
DRAWING NO: 164201604-8	SHEET: 10 of 13
REVISION: A	DATE: 091505

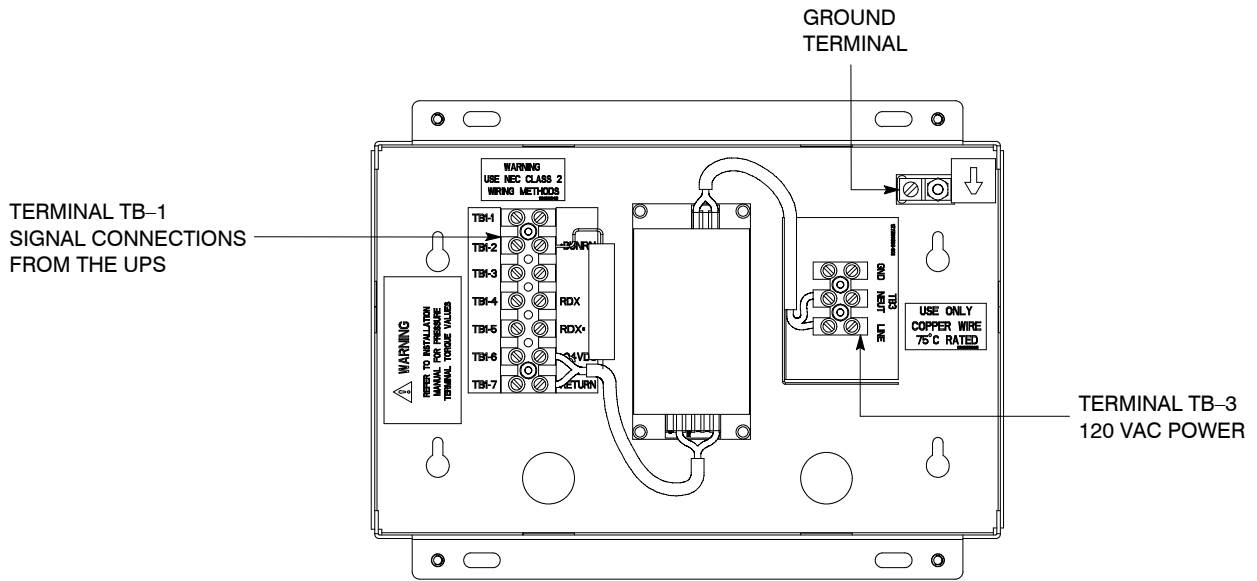
Building Alarm Pull Chain Wiring Terminations			
From UPM 1	To UPM 2	To UPM 3 (If Installed)	To UPM 4 (If Installed)
TB2-1 (BA 2)	TB2-1 (BA 2)	TB2-1 (BA 2)	TB2-1 (BA 2)
TB2-2 (Rtn)	TB2-2 (Rtn)	TB2-2 (Rtn)	TB2-2 (Rtn)

Bypass Relay Pull Chain Wiring Terminations	
All UPMs	
From	To
TB2-1 (BA 2)	TB2-3 (Byb)
TB2-2 (BA 2 Rtn)	TB2-4 (Byb Rtn)

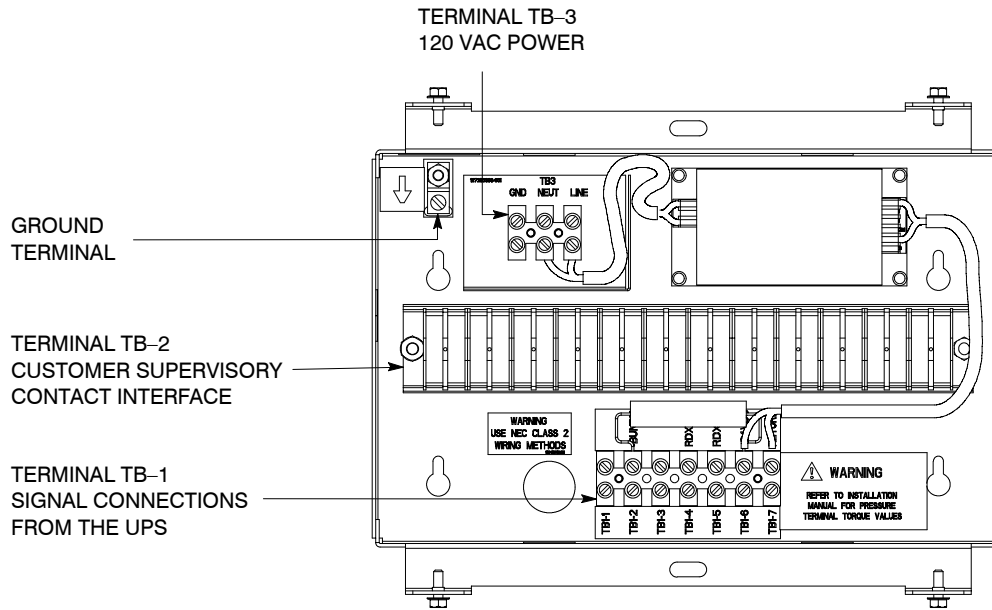


**PARALLEL SYSTEM BACKUP CONTROL (PULL CHAIN) WIRING**

DESCRIPTION: <b>INTERFACE WIRING INSTALLATION NOTES AND TERMINAL LOCATIONS</b>	
DRAWING NO: 164201604-8	SHEET: 11 of 13
REVISION: B	DATE: 032406



**REMOTE MONITOR PANEL AND RELAY INTERFACE MODULE TERMINAL LOCATIONS**

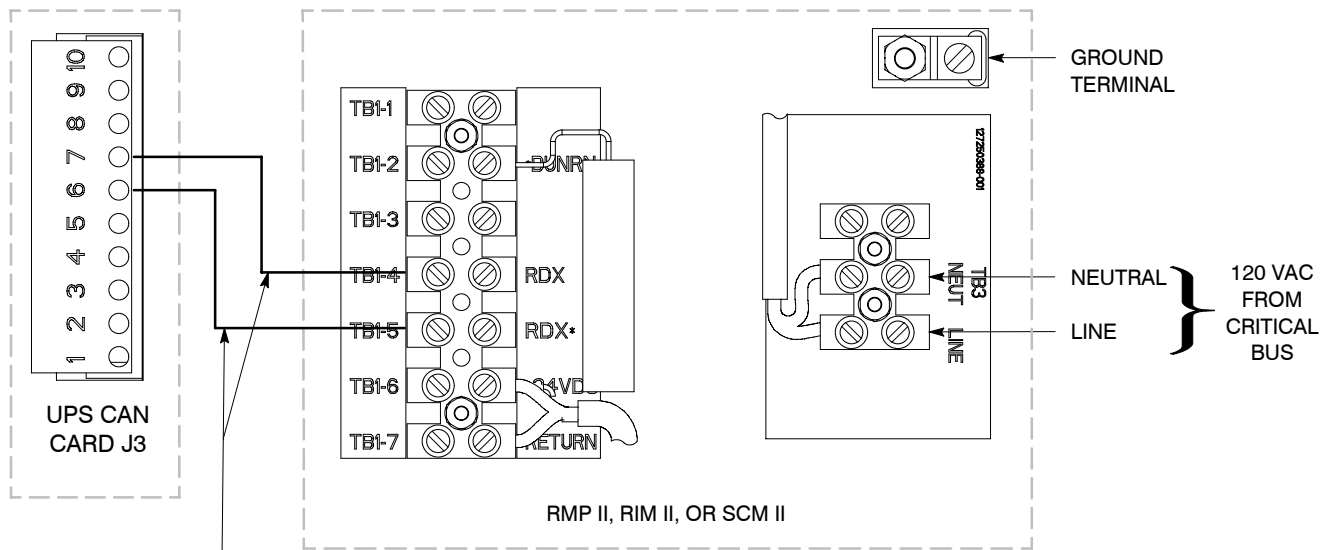


**SUPERVISORY CONTACT MODULE TERMINAL LOCATIONS**

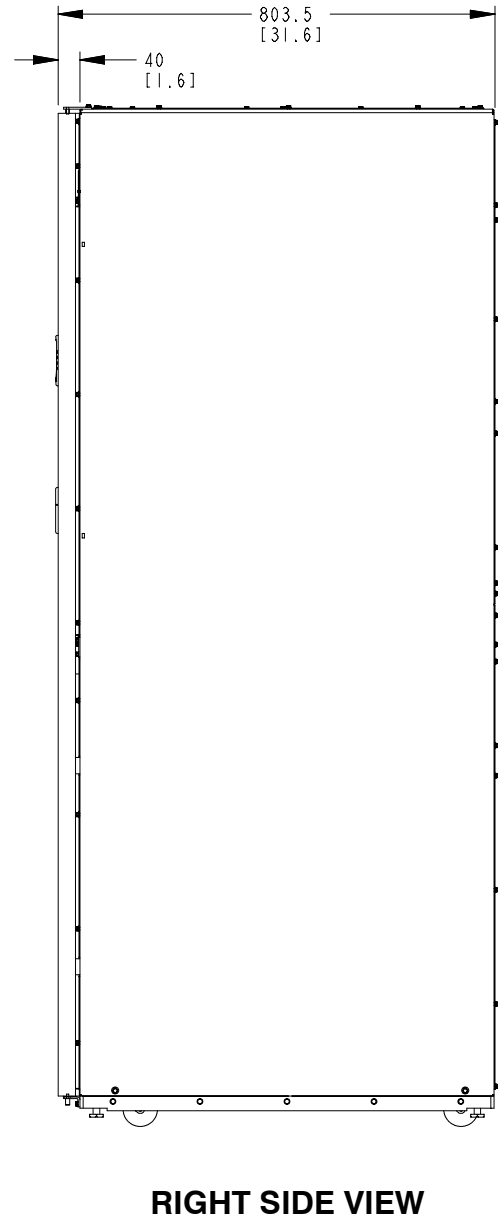
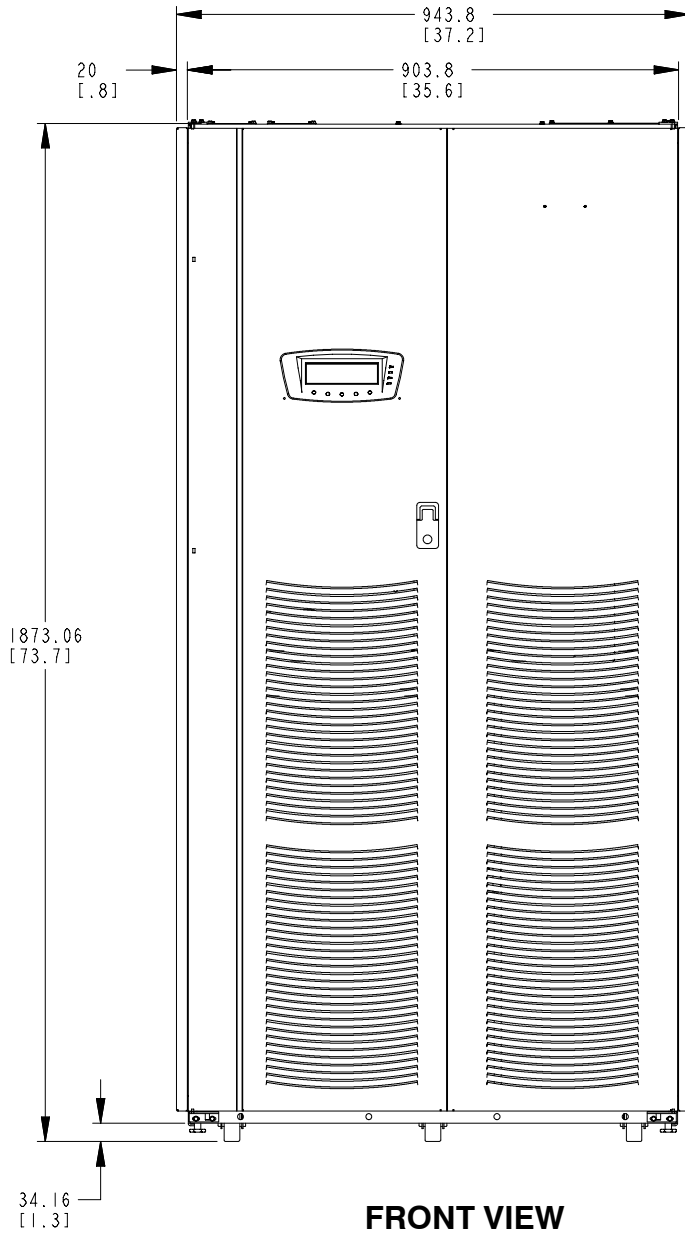
<b>DESCRIPTION:</b> INTERFACE WIRING INSTALLATION NOTES AND TERMINAL LOCATIONS	
<b>DRAWING NO:</b> 164201604-8	<b>SHEET:</b> 12 of 13
<b>REVISION:</b> A	<b>DATE:</b> 091505

19. Conduit must be installed between the UPS cabinet and the RMP II, RIM II, or SCM II for signal wiring. Conduit must be installed between the device and the power source for power wiring. Install the signal wiring in separate conduit from the power wiring.
20. Conduit and wiring between the UPS and the RMP II, RIM II, or SCM II is to be supplied by the customer.
21. Maximum distance between the UPS cabinet and RMP II, RIM II, or SCM II is not to exceed 500 feet.
22. Use Class 1 wiring methods (as defined by the NEC) for RMP II, RIM II, or SCM II power and signal wiring. Power wiring should be a minimum of 22 AWG and a maximum of 14 AWG. The wire should be rated for 1A minimum.
23. RMP II, RIM II, or SCM II signal wiring should be a minimum of 22 AWG and a maximum of 14 AWG. The wire should be twisted pair, rated for 5A maximum.
24. Use only 75°C copper wire.
25. 120 Vac for the RMP II, RIM II, or SCM II should be provided from the critical bus by facility planners or the customer.
26. See Table X and Chapter 6 for CAN Bridge Card and RMP II, RIM II, or SCM II installation.

RMP, RIM, or SCM Wiring Terminations			
From UPS CAN Card	To RMP, RIM, or SCM	Tightening Torque Nm (lb in)	Remarks
J3-6 (TX)	TB1-5 (RDX*)	0.9 (8)	Use Twisted Pair
J3-7 (TX)	TB1-4 (RDX)	0.9 (8)	
N/A	TB3 Line	0.9 (8)	
N/A	TB3 Neutral	0.9 (8)	
N/A	Ground Terminal	2.7 (24) Maximum	



DESCRIPTION: <b>INTERFACE WIRING INSTALLATION NOTES AND TERMINAL LOCATIONS</b>	
DRAWING NO: 164201604-8	SHEET: 13 of 13
REVISION: A	DATE: 091505

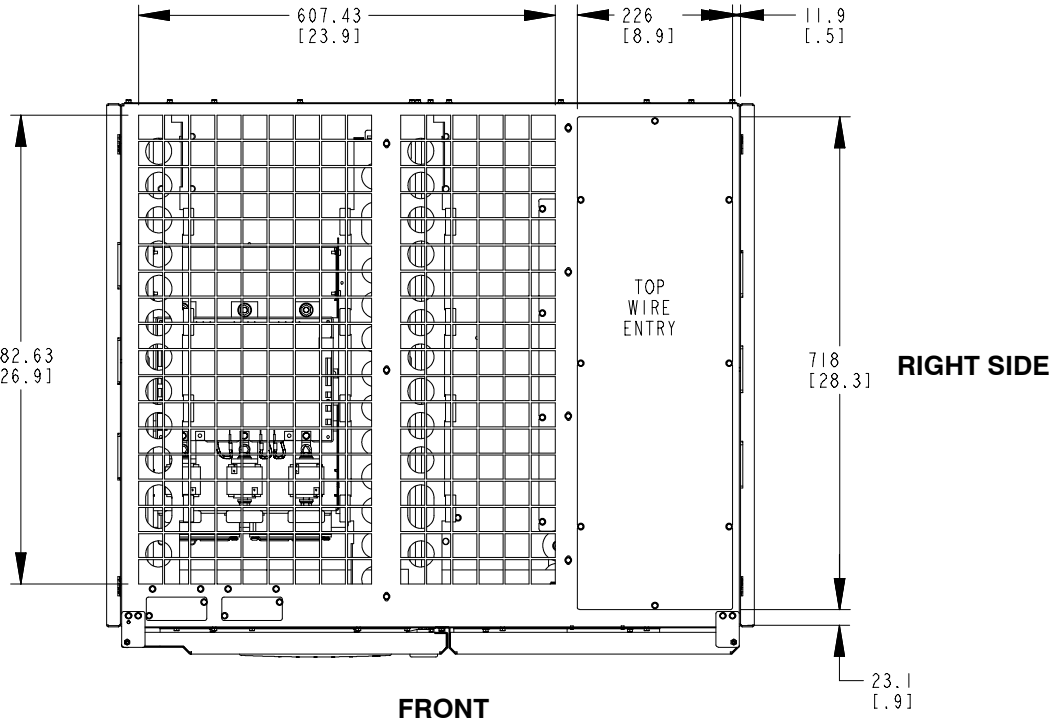


Dimensions are in millimeters [inches]

<b>DESCRIPTION:</b> UPS CABINET DIMENSIONS	
<b>DRAWING NO:</b> 164201604-9	<b>SHEET:</b> 1 of 4
<b>REVISION:</b> A	<b>DATE:</b> 091505

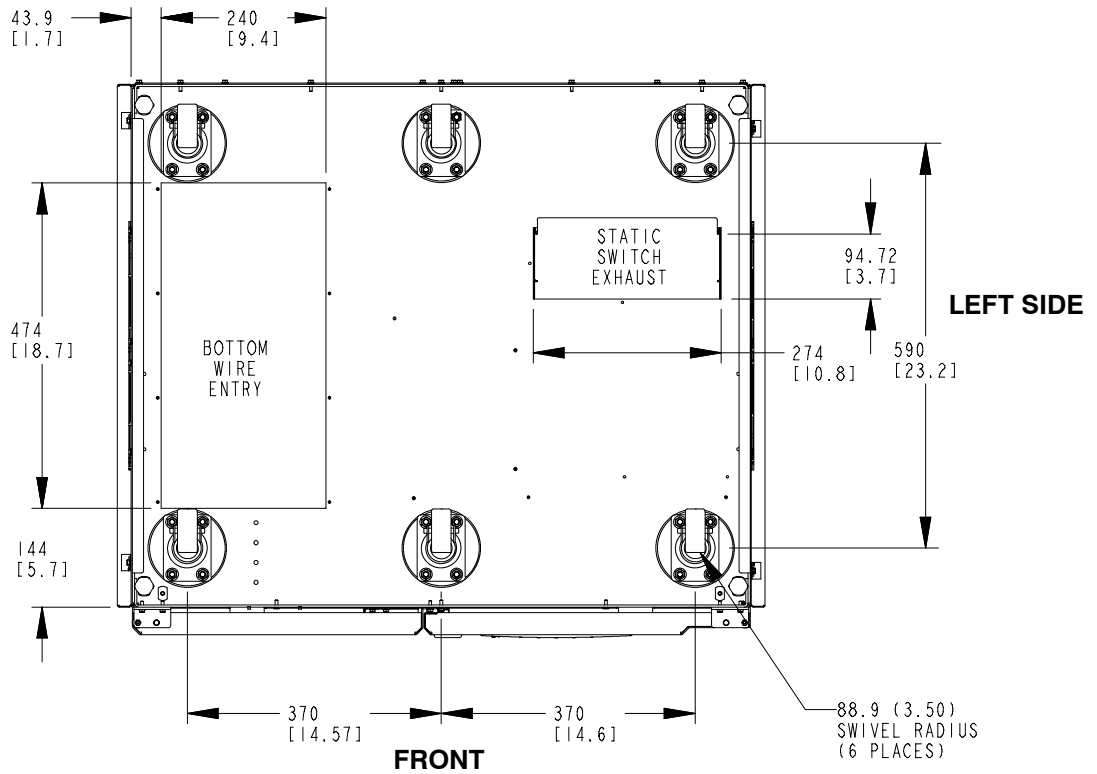
**TOP VIEW**

**LEFT SIDE** 682.63 [26.9]



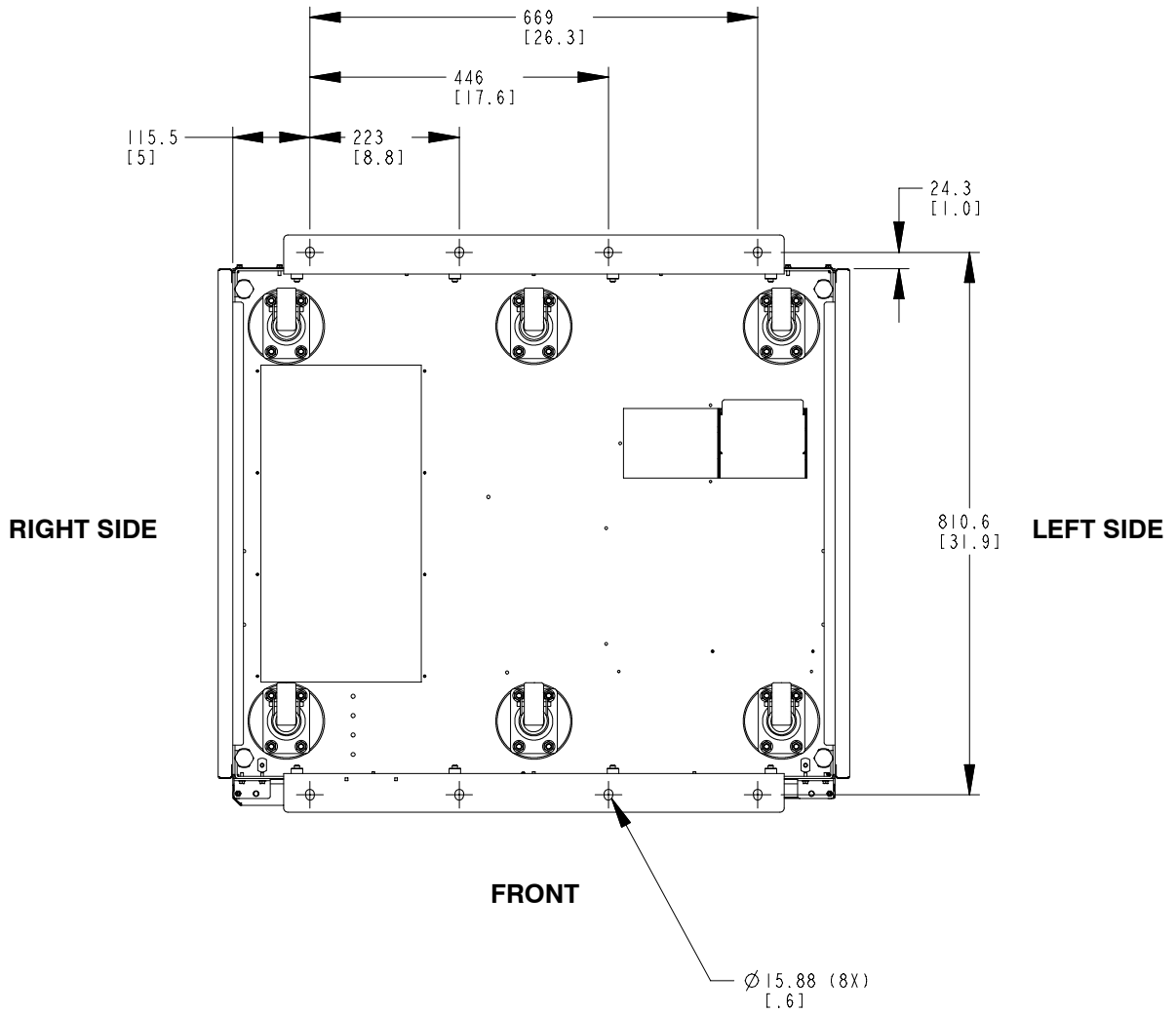
**BOTTOM VIEW**

**RIGHT SIDE** 474 [18.7]



Dimensions are in millimeters [inches]

<b>DESCRIPTION: UPS CABINET DIMENSIONS</b>	
<b>DRAWING NO:</b> 164201604-9	<b>SHEET:</b> 2 of 4
<b>REVISION:</b> A	<b>DATE:</b> 091505

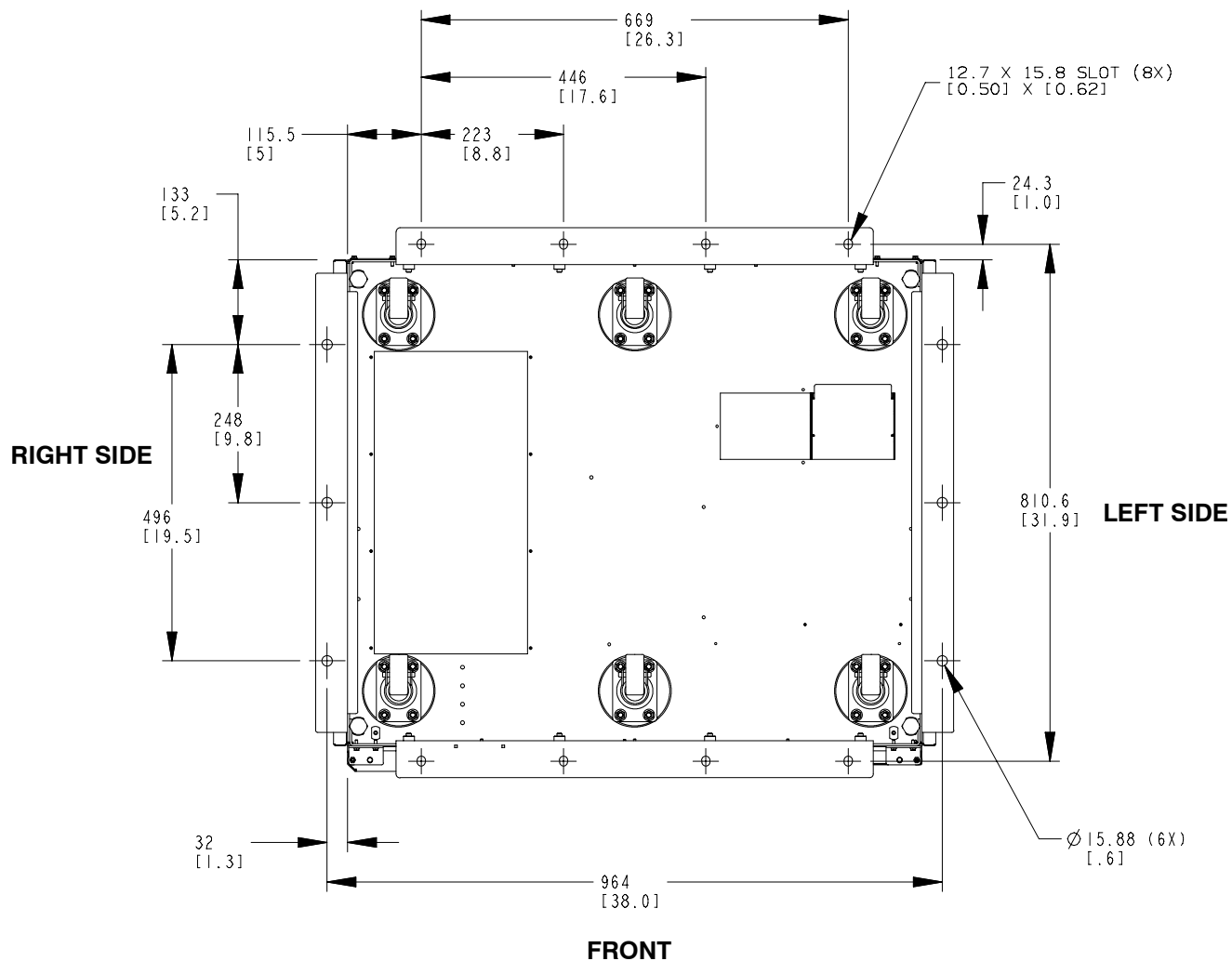


**BOTTOM VIEW WITH OPTIONAL FLOOR MOUNTING BRACKETS**

<b>DESCRIPTION:</b> UPS CABINET DIMENSIONS	
<b>DRAWING NO:</b> 164201604-9	<b>SHEET:</b> 3 of 4
<b>REVISION:</b> A	<b>DATE:</b> 091505

Dimensions are in millimeters [inches]

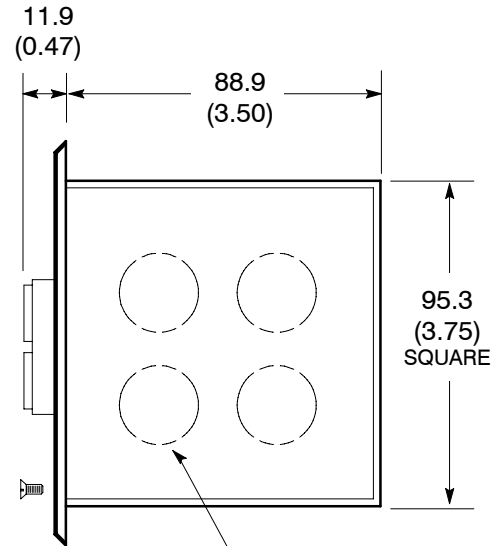
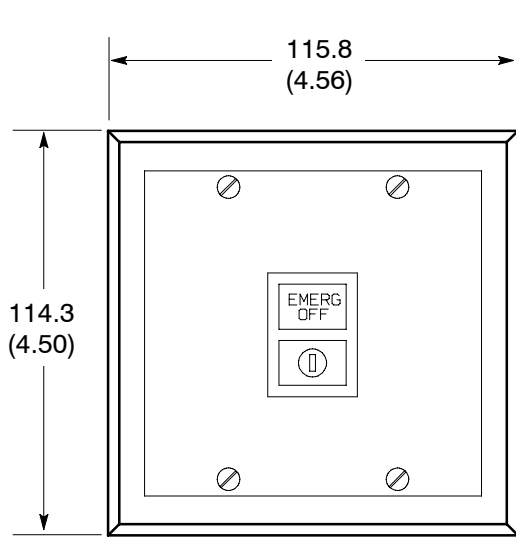




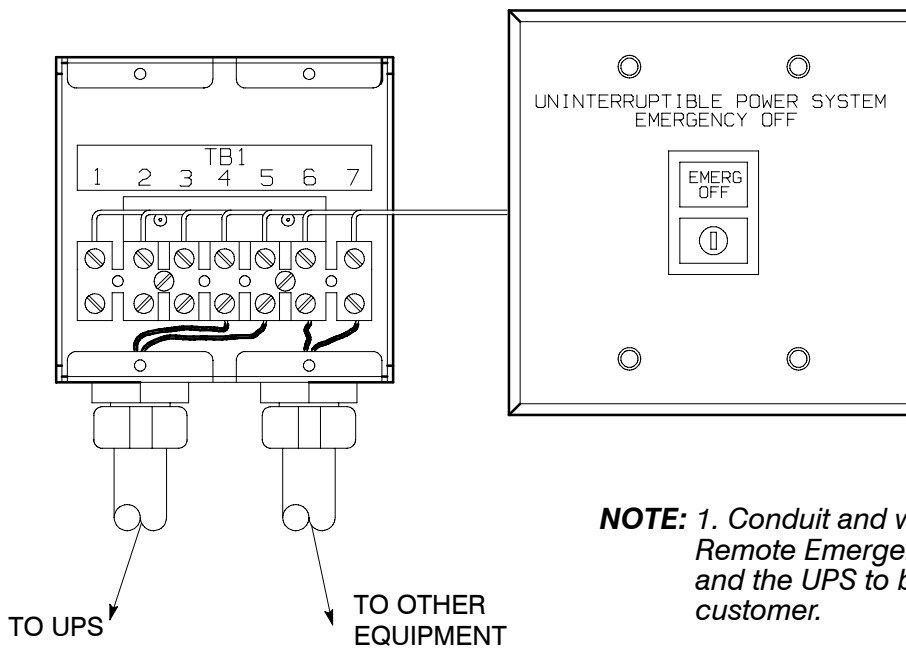
**SEISMIC KIT INSTALLATION  
BOTTOM VIEW WITH OPTIONAL SEISMIC MOUNTING BRACKETS**

DESCRIPTION: <b>UPS CABINET DIMENSIONS</b>	
DRAWING NO: 164201604-9	SHEET: 4 of 4
REVISION: A	DATE: 091505

Dimensions are in millimeters [inches]



1/2 in. Knockout Pattern  
typ. 5 sides



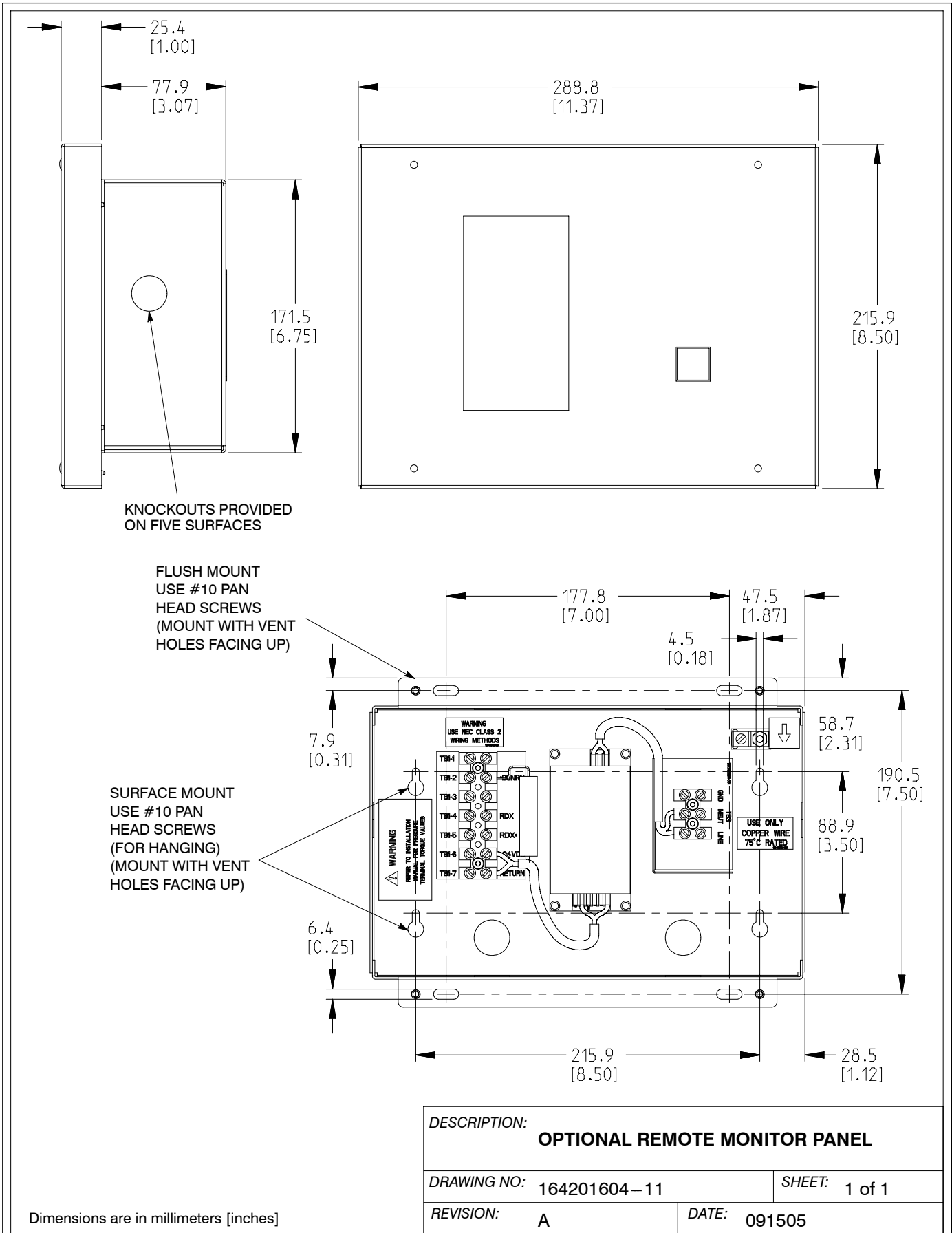
**NOTE:** 1. Conduit and wiring between the Remote Emergency Power-off (REPO) and the UPS to be supplied by the customer.

2. Maximum distance between the Remote EPO and the UPS not to exceed 500 feet.

3. Maximum wire size #14 AWG.  
Minimum wire size #22 AWG.

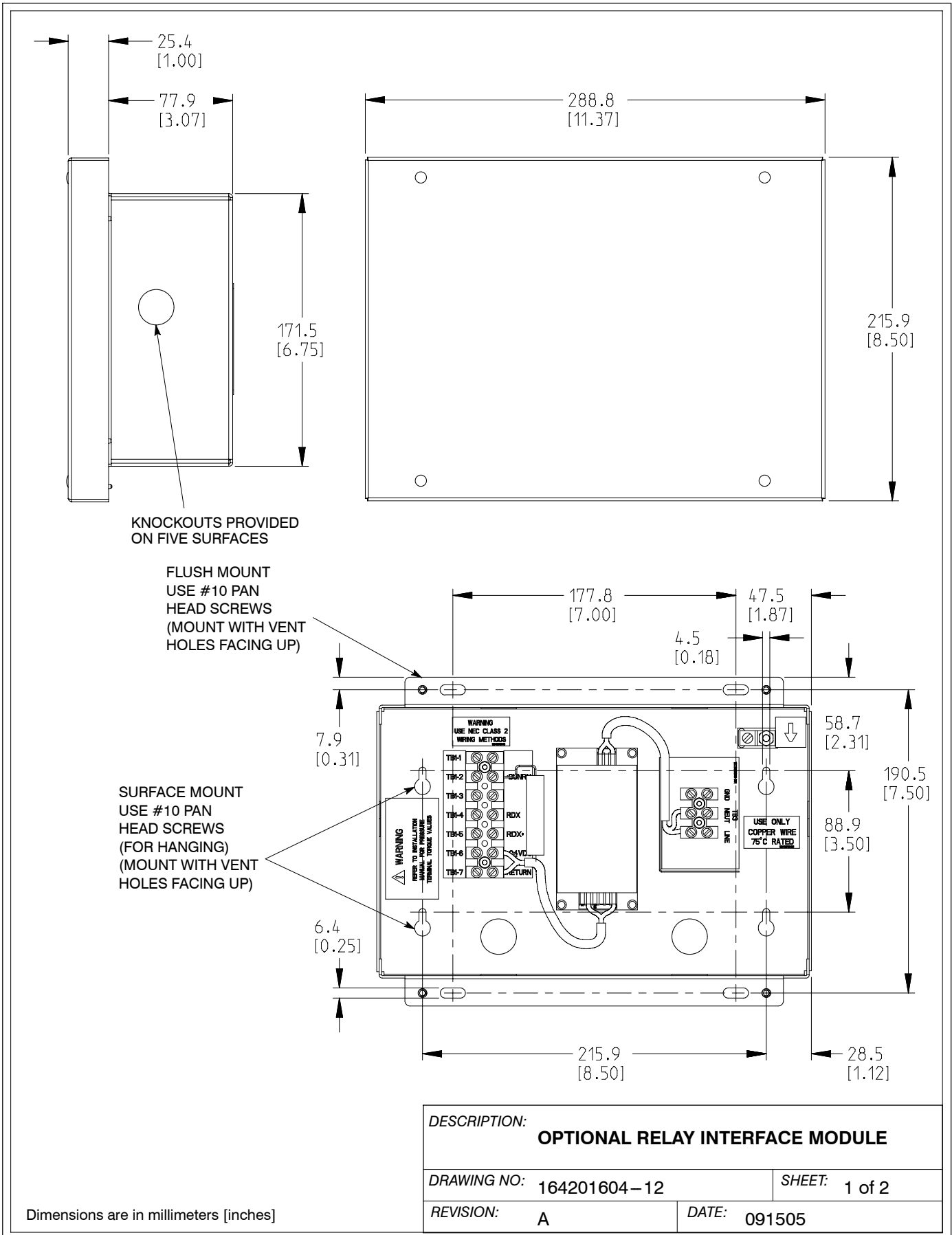
Dimensions are in millimeters [inches]

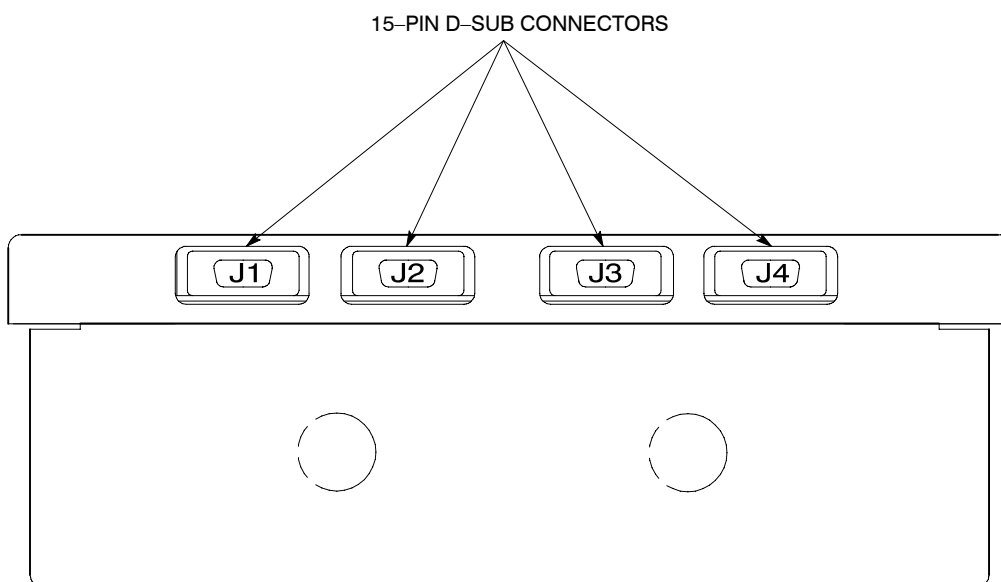
DESCRIPTION:	<b>OPTIONAL POWERWARE REMOTE EMERGENCY POWER-OFF</b>	
DRAWING NO:	164201604-10	SHEET: 1 of 1
REVISION:	A	DATE: 091505



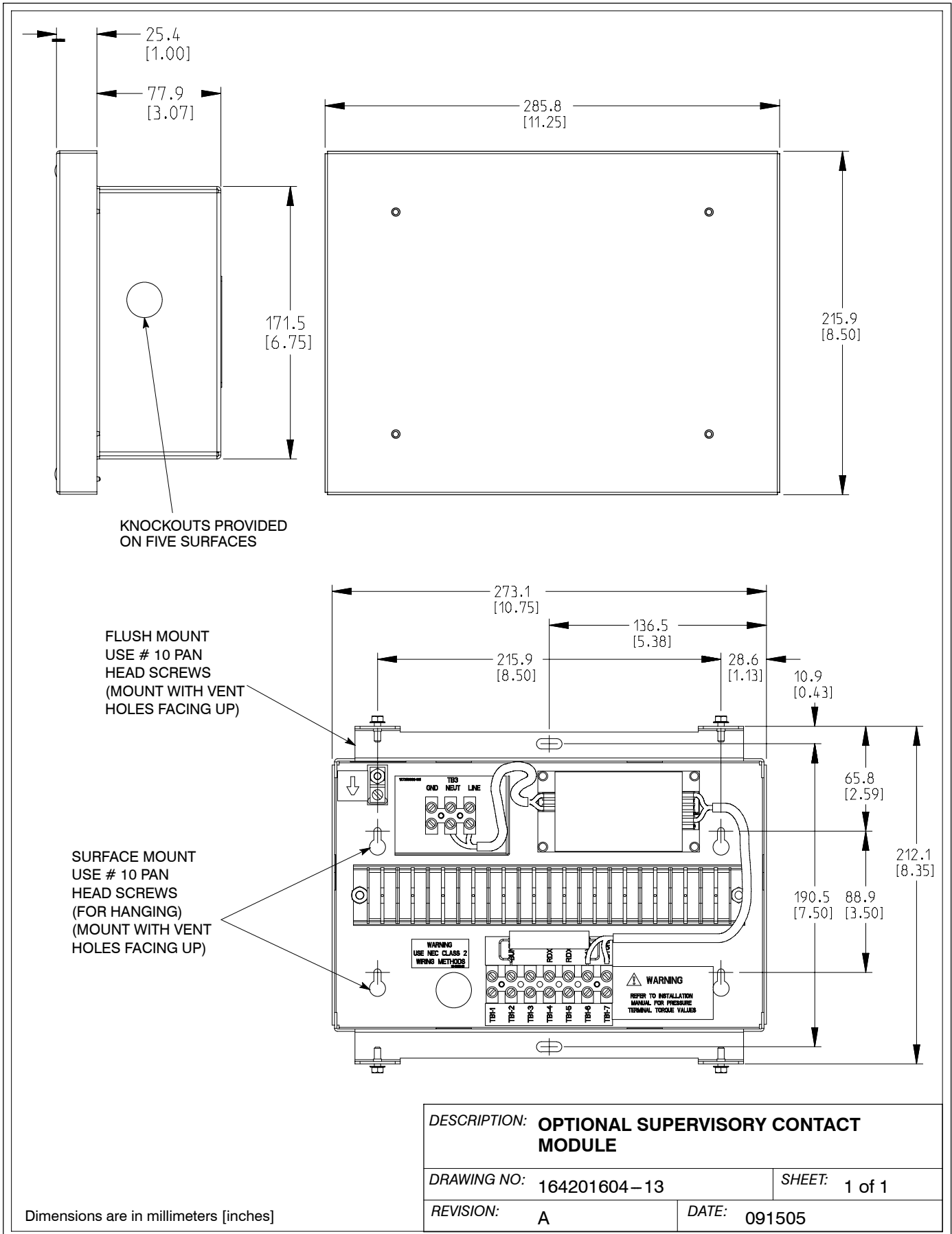
<b>DESCRIPTION:</b>	
<b>OPTIONAL REMOTE MONITOR PANEL</b>	
<b>DRAWING NO:</b> 164201604-11	<b>SHEET:</b> 1 of 1
<b>REVISION:</b> A	<b>DATE:</b> 091505

Dimensions are in millimeters [inches]





<b>DESCRIPTION:</b>	
<b>OPTIONAL RELAY INTERFACE MODULE</b>	
<b>DRAWING NO:</b> 164201604-12	<b>SHEET:</b> 2 of 2
<b>REVISION:</b> A	<b>DATE:</b> 091505



<b>DESCRIPTION: OPTIONAL SUPERVISORY CONTACT MODULE</b>	
<b>DRAWING NO:</b> 164201604-13	<b>SHEET:</b> 1 of 1
<b>REVISION:</b> A	<b>DATE:</b> 091505

Dimensions are in millimeters [inches]

# Warranty

## LIMITED FACTORY WARRANTY FOR THREE-PHASE POWERWARE® PRODUCTS

**WARRANTOR:** The warrantor for the limited warranties set forth herein is Eaton Electrical Inc., a Delaware Corporation (“Eaton”).

**LIMITED WARRANTY:** This limited warranty (this “Warranty”) applies only to the original end-user (the “End-User”) of the Powerware Three-Phase UPS Products (the “Product”) and cannot be transferred. This Warranty applies even in the event that the Product is initially sold by Eaton for resale to an End-User.

**LIMITED WARRANTY PERIOD:** The period covered by this Warranty for Product installed [and currently located] in the fifty (50) United States and the District of Columbia is twelve (12) months from the date of Product start-up or eighteen (18) months from the date of Product shipment, whichever occurs first, for parts coverage and 90 days from the date of Product start-up for labor coverage. The period covered by this Warranty for Product installed [and currently located] outside of the fifty (50) United States and the District of Columbia is twelve (12) months from the date of Product start-up or eighteen (18) months from the date of Product shipment, whichever occurs first, for parts coverage.

**WHAT THIS LIMITED WARRANTY COVERS:** The warrantor warrants that the Powerware three-phase UPS electronics, Eaton-built accessories, and Powerware-built battery cabinets (individually and collectively, the “Warranted Items”) are free from defects in material and workmanship. If, in the opinion of Eaton, a Warranted Item is defective and the defect is within the terms of this Warranty, Eaton’s sole obligation will be to repair or replace such defective item (including by providing service, parts, and labor, as applicable), at the option of Eaton. The Warranted Item will be repaired or replaced onsite at the End-User’s location or such other location as determined by Eaton. Any parts that are replaced may be new or reconditioned. All parts replaced by Eaton shall become the property of Eaton.

**WHAT THIS LIMITED WARRANTY DOES NOT COVER:** This Warranty does not cover any defects or damages caused by: (a) failure to properly store the Product before installation, including the “trickle charge” of batteries no later than the date indicated on the packaging; (b) shipping and delivery of the Product if shipping is FOB Factory; (c) neglect, accident, abuse, misuse, misapplication, incorrect installation; (d) repair or alteration not authorized in writing by Eaton personnel or performed by an authorized Eaton Customer Service Engineer or Agent; or (e) improper testing, operation, maintenance, adjustment, or any modification of any kind not authorized in writing by Eaton personnel or performed by an authorized Eaton Customer Service Engineer or Agent.

This Warranty is not valid: (a) unless an authorized Eaton Customer Service Engineer (in the USA) or Agent (outside of the USA) performs startup and commissioning of the Product; (b) if the Product is moved to a new location by someone other than an authorized Eaton Customer Service Engineer (in the USA) or Agent (outside of the USA); or (c) if the Product’s serial numbers have been removed or are illegible. Any Warranted Items repaired or replaced pursuant to this Warranty will be warranted for the remaining portion of the original Warranty subject to all the terms thereof. Labor warranty is not provided for Product located outside of the fifty (50) United States or the District of Columbia. **Any equipment, parts, or materials included in the Product and not manufactured by Eaton are warranted solely by the manufacturer of such equipment, parts, or materials and are not included as part of this Warranty. Batteries are not warranted by Eaton.**

**THIS WARRANTY IS THE END-USER’S SOLE REMEDY AND IS EXPRESSLY IN LIEU OF, AND THERE ARE NO OTHER EXPRESSED OR IMPLIED GUARANTEES OR WARRANTIES (INCLUDING ANY IMPLIED WARRANTY OF MERCHANTABILITY OR FITNESS FOR ANY PURPOSE, WHICH ARE EXPRESSLY DISCLAIMED).**

**LIMITATION OF LIABILITY:** In no event shall Eaton be liable for any indirect, incidental, special, or consequential damages of any kind or type whatsoever, or based on any claim or cause of action, however denominated. Eaton shall not be responsible for failure to provide service or parts due to causes beyond Eaton’s reasonable control. In no case will Eaton’s liability under this Warranty exceed the replacement value of the Warranted Items.

**END-USER’S OBLIGATIONS:** In order to receive the benefits of this Warranty, the End-User must use the Product in a normal way, follow the Product’s operation and maintenance manual, and protect against further damage to the Product if there is a covered defect.

**OTHER LIMITATIONS:** Eaton’s obligations under this Warranty are expressly conditioned upon receipt by Eaton of all payments due to it (including interest charges, if any). During such time as Eaton has not received payment of any amount due to it for the Product, in accordance with the contract terms under which the Product is sold, Eaton shall have no obligation under this Warranty. Also during such time, the period of this Warranty shall continue to run and the expiration of this Warranty shall not be extended upon payment of any overdue or unpaid amounts.

**COSTS NOT RELATED TO WARRANTY:** The End-User shall be invoiced for, and shall pay for, all services not expressly provided for by the terms of this Warranty, including without limitation site calls involving an inspection that determines no corrective maintenance is required. Any costs for replacement equipment, installation, materials, freight charges, travel expenses, or labor of Eaton representatives outside the terms of this Warranty will be borne by the End-User.

**OBTAINING WARRANTY SERVICE:** In the USA, call the Eaton Customer Reliability Center 7x24 at 800-843-9433. Outside of the USA, call your local Eaton sales or service representative, or call the Eaton Customer Reliability Center in the USA at 919-870-3028. For comments or questions about this Limited Factory Warranty, write to the Customer Quality Representative, 3301 Spring Forest Road, Raleigh, North Carolina 27616 USA.

**This page intentionally left blank.**







164201604 B